

CONTRACTOR:	
PROJECT:	DATE:
PREPARED BY:	MODEL#: DLALP/LVLED/SQ/830-**

SERIES SPECIFICATIONS



To supply and install TamLite Accent series of LED puck lights as specified. The pucks shall operate at 12VDC. LED's shall provide a CRI of over 80 for increased colour rendering. Housings shall be constructed of die-cast aluminum with a painted finish, with a frosted polycarbonate diffuser. Pucks shall contain a polarized, mechanically latching plug on the end of a connection cord of at least 55cm. Driver shall be external, and included in "kitted" versions. Pucks shall be cETLus approved.



PERFORMANCE SPECIFICATIONS

FIG. 1 - Luminance Distribution Chart

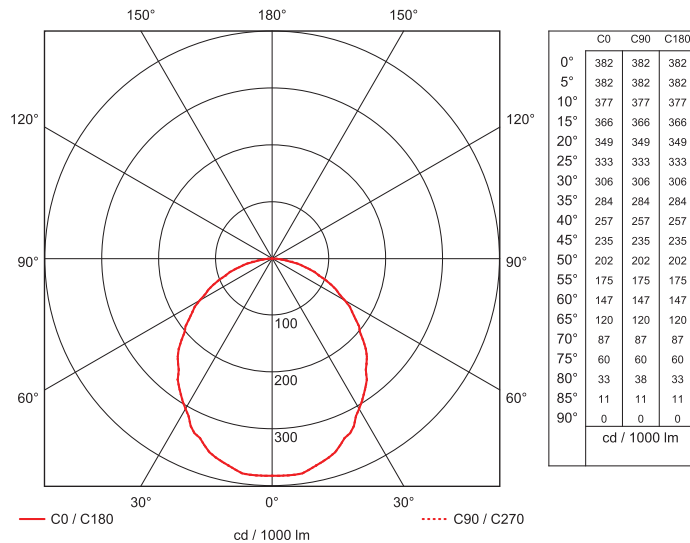


FIG. 2 - Zonal Lumen Summary

ZONE	LUMENS	% LAMP	% LUMINAIRE
0-30	53	29.10	29.10
0-40	85	46.82	46.82
0-60	147	80.35	80.35
0-90	183	100.00	100.00
40-90	97	53.18	53.18
60-90	36	19.65	19.65
90-180	0	.00	.00
0-180	183	100.00	100.00

Environmental Rating: IP20

Certification Standards: cETLus

Limited Product Warranty: 2 Years

Performance Guarantee: 5 Years

Beam Angle: 100°

Operating Temp: 40°C

Spacing Criteria: 1.20 (C0/180);

1.20 (C90/270)

UL Classification: Dry Location Listed

CONTRACTOR:		DATE:
PROJECT:		MODEL#: DLALP/LVLED/SQ/830-**
PREPARED BY:		

PERFORMANCE SPECIFICATIONS

FIG. 4 - Co-efficient of Utilization

Effective Floor Cavity Reflectance - 0.20

pCC	80				70				50			30			10			0
	70	50	30	10	70	50	30	10	50	30	10	50	30	10	50	30	10	0
RCR																		
0	1.19	1.19	1.19	1.19	1.16	1.16	1.16	1.16	1.11	1.11	1.11	1.06	1.06	1.06	1.02	1.02	1.02	1.00
1	1.10	1.06	1.02	0.98	1.07	1.04	1.00	.97	.99	.96	.94	.95	.93	.91	.92	.90	.88	.86
2	1.01	.94	.88	.82	.99	.92	.86	.81	.88	.84	.80	.85	.81	.78	.82	.79	.76	.74
3	.93	.83	.76	.70	.90	.82	.75	.69	.79	.73	.68	.76	.71	.67	.74	.69	.66	.64
4	.86	.75	.67	.61	.84	.74	.66	.60	.71	.64	.59	.69	.63	.59	.67	.62	.58	.56
5	.79	.67	.59	.52	.77	.66	.58	.52	.64	.57	.52	.62	.56	.51	.60	.55	.50	.49
6	.73	.60	.52	.46	.71	.59	.51	.46	.58	.51	.45	.56	.50	.45	.54	.49	.44	.42
7	.67	.54	.46	.40	.66	.53	.45	.40	.52	.44	.39	.50	.44	.39	.49	.43	.39	.37
8	.62	.49	.41	.35	.61	.48	.41	.35	.47	.40	.35	.46	.39	.35	.45	.39	.35	.33
9	.58	.45	.37	.31	.57	.44	.37	.31	.43	.36	.31	.42	.35	.31	.41	.35	.31	.29
10	.54	.41	.33	.28	.53	.40	.33	.28	.39	.32	.28	.39	.32	.27	.38	.32	.27	.26

LED SPECIFICATIONS

LED: Epistar

LED Type: SMD 2828

CRI: 80+

Delivered Lumens: 183 lm

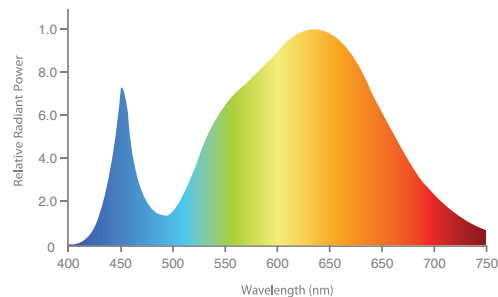
Efficacy: 57.5 lm/W

Colour Temperature: 3000K

Average Life: L70= 50,000 hrs

Tj Max: 125°C

FIG. 3 - Spectral Power Distribution



ELECTRICAL SPECIFICATIONS

Operating Voltage: 12VDC

Wattage: 3.180 W

Power Factor: 1.0

Emitter Type: LED

Current Draw: 0.265 A

Dimmable: No

Driver: External

PHYSICAL SPECIFICATIONS

Shape: Square

Colour(s): White (WH), Satin Nickel (SN)

Housing Material: Aluminum

Finish Type: Painted Finish

Lens Material: PolyCarbonate

Lens Type: Frosted - Prismatic

Mounting: Surface

CONTRACTOR:	
PROJECT:	DATE:
PREPARED BY:	MODEL#: DLALP/LVLED/SQ/830-**

COLOURS & FINISHES

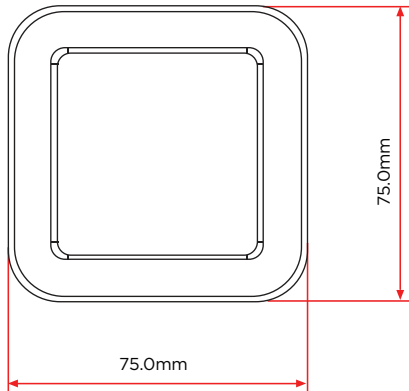


White (WH)



Satin Nickel (SN)

LINE DRAWING



ORDERING INFORMATION

Part Number: DLALP/LVLED/SQ/830-**
Carton Quantity: 100

Carton Length: 22.59" - 574.8mm
Carton Width: 9.05" - 229.87mm

Carton Height: 7.63" - 193.8mm
Carton Weight: 25.3 lbs - 11.5kg

Package Quantity: 1
Package Length: 5.11" - 130mm

Package Width: 3.22" - 82mm
Package Height: 0.78" - 20mm

Package Weight: 0.30lb - 0.14kg

Optional Extras: DLALP/EXT/6FT (6FT Extension), DLALP/EXT/18FT (18FT Extension), DLALP/LVLED/DBAR (Distribution Bar), DLAL/PSU12V-24W(24W 12V Power Supply)

Part Number: DLALP/LVLED/SQ/830-**-3KIT
Carton Quantity: 10

Carton Length: 18.89" - 479.8mm
Carton Width: 13.38" - 339.8mm

Carton Height: 10.27" - 260.8mm
Carton Weight: 19.1 lbs - 8.70kg

Package Quantity: 3 + Driver
Package Length: 9.05" - 230mm

Package Width: 9.29" - 236mm
Package Height: 2.48" - 63mm

Package Weight: 1.65lb - 0.74kg

Optional Extras: DLALP/EXT/6FT (6FT Extension) , DLALP/EXT/18FT (18FT Extension)