

<b>CONTRACTOR:</b>		<b>DATE:</b>
<b>PROJECT:</b>		<b>MODEL#:</b> DLC40LED-347V
<b>PREPARED BY:</b>		

## SERIES SPECIFICATIONS

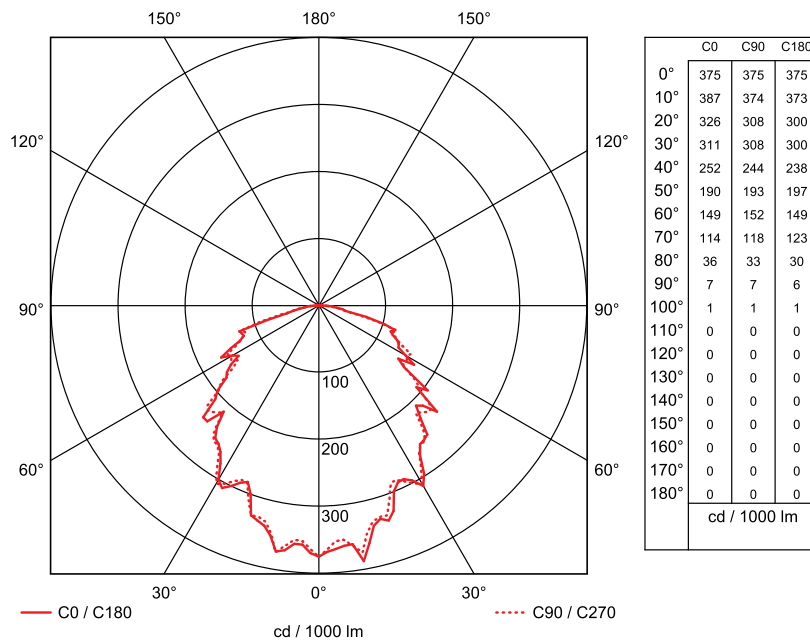


To supply and install TamLite's DLC Series of LED Canopy fixture as specified. The Luminaire shall operate at 347VAC to 480VAC. The housing shall be constructed of Die-Cast Aluminium with a powder coat finish over chromate conversion treatment with a clear, bevelled polycarbonate lens. The Luminaire shall be wet location listed. LEDs shall be as specified Nichia® LED chips. The luminaire shall be c-UL-us and DLC qualified.



## PERFORMANCE SPECIFICATIONS

**FIG. 1 - Luminance Distribution Chart**



**Environmental Rating:** IP65  
**Efficacy:** 86.98 lm/W  
**BUG Rating:** B2U2G1

**Certification Standards:** DLC, cULus  
**UL Classification:** Wet Location Listed  
**Limited Product Warranty:** 5 Years

**Spacing Criteria (0-180):** 1.34  
**Spacing Criteria (90-270):** 1.28  
**Spacing Criteria (Diagonal):** 1.52

<b>CONTRACTOR:</b>	
<b>PROJECT:</b>	<b>DATE:</b>
<b>PREPARED BY:</b>	<b>MODEL#:</b> DLC40LED-347V

## PERFORMANCE SPECIFICATIONS

**FIG. 2 - Co-efficient of Utilization**

RATIO	HOUSE SIDE	STREET SIDE	TOTAL
.5	.220	.221	.441
1.0	.348	.356	.704
1.5	.409	.420	.829
2.0	.440	.454	.894
2.5	.457	.472	.928
3.0	.464	.480	.943
3.5	.468	.485	.953
4.0	.470	.488	.958
5.0	.474	.492	.965
TOTAL	.482	.501	.982

## LED SPECIFICATIONS

**LED Type:** Nichia ® LED  
**Number of Chips:** 40  
**Luminous Flux:** 3364.3 lm

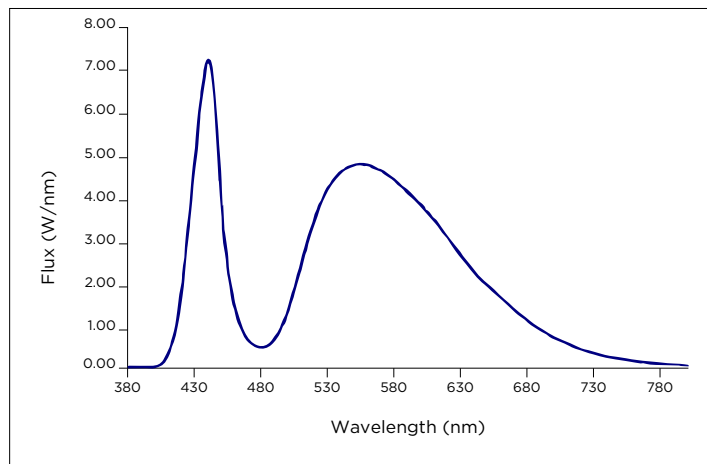
**CRI:** 74.8  
**Rated Life:** L70=50,000 hrs  
**Colour Temperature:** 5000K

**Duv:** 0.00389  
**Beam Angle:** 100°  
**R9:** -26

**FIG. 3 - Colour Rendering Indices**

R1	66	R9	-26
R2	70	R10	28
R3	72	R11	67
R4	69	R12	37
R5	66	R13	66
R6	59	R14	83
R7	75	R15	62
R8	59		

**FIG. 4 - Spectral Distribution Chart**



<b>CONTRACTOR:</b>	
<b>PROJECT:</b>	<b>DATE:</b>
<b>PREPARED BY:</b>	<b>MODEL#:</b> DLC40LED-347V

## ELECTRICAL SPECIFICATIONS

**Wattage:** 38.68W

**I-THD(%):** 16.59% @ 347VAC

**Current Draw:** 0.11A ± 10%

**Operating Voltage:** 347-480 VAC

**Power Factor:** 0.925 @ 347VAC

## PHYSICAL SPECIFICATIONS

**Min. Operating Temp.:** -40°C to +50°C

**Housing Material:** Die-Cast Aluminium

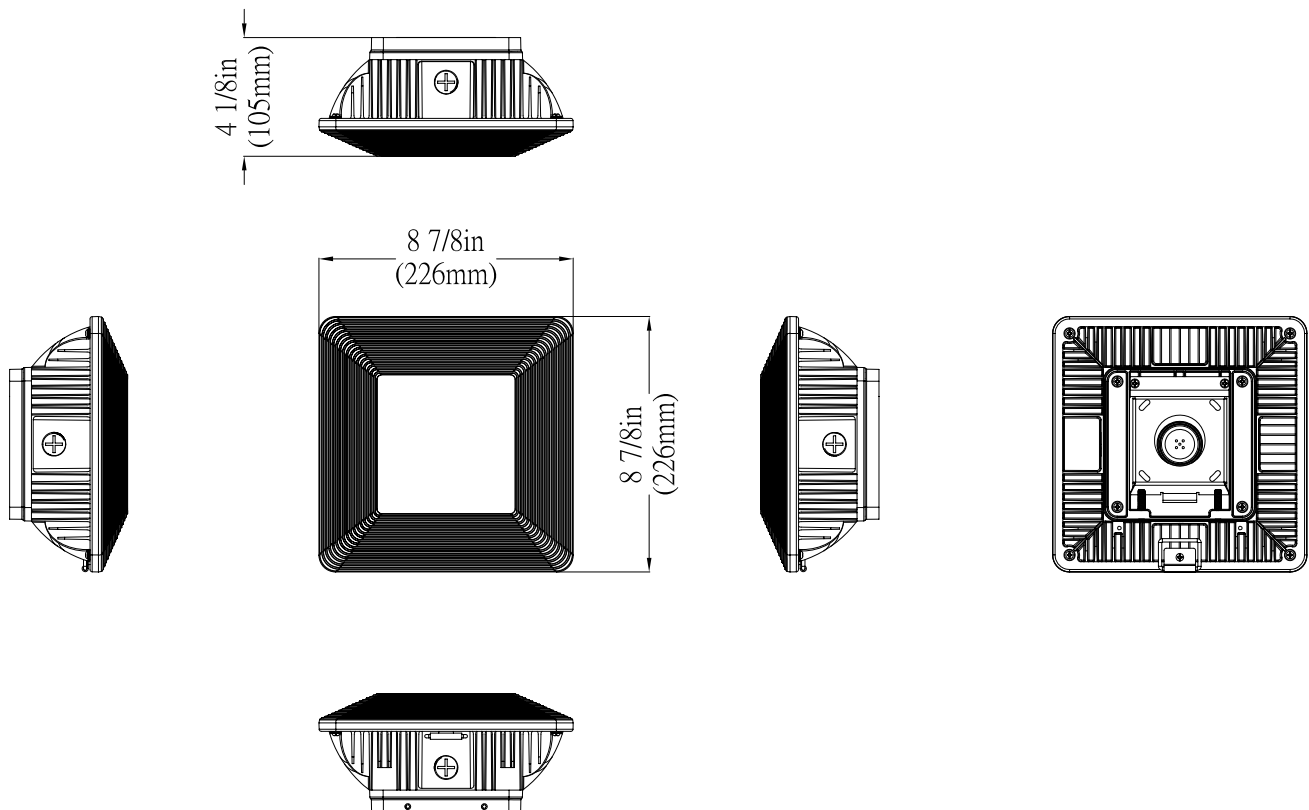
**Suggested Mounting Height:** 2.5m

**Cover Style:** Clear

**Lens/Cap Material:** Polycarbonate

to 4.5m

## LINE DRAWING





<b>CONTRACTOR:</b>	
<b>PROJECT:</b>	<b>DATE:</b>
<b>PREPARED BY:</b>	<b>MODEL#:</b> DLC40LED-347V

**ORDERING INFORMATION**

**Part Number:** DLC40LED-347V

**Package Quantity:** 1

**Carton Quantity:** 4

**Package Length:** 280mm - 11.02"

**Package Width:** 280mm - 11.02"

**Carton Length:** 575mm - 22.6"

**Carton Width:** 285mm - 11.2"

**Package Height:** 170mm - 6.69"

**Package Weight:** 3.08kg - 6.86lbs

**Carton Height:** 380mm - 15"

**Carton Weight:** 13.50kg - 29.76lbs