

CONTRACTOR:		DATE:
PROJECT:		MODEL#: DLC80LED-347V
PREPARED BY:		

SERIES SPECIFICATIONS

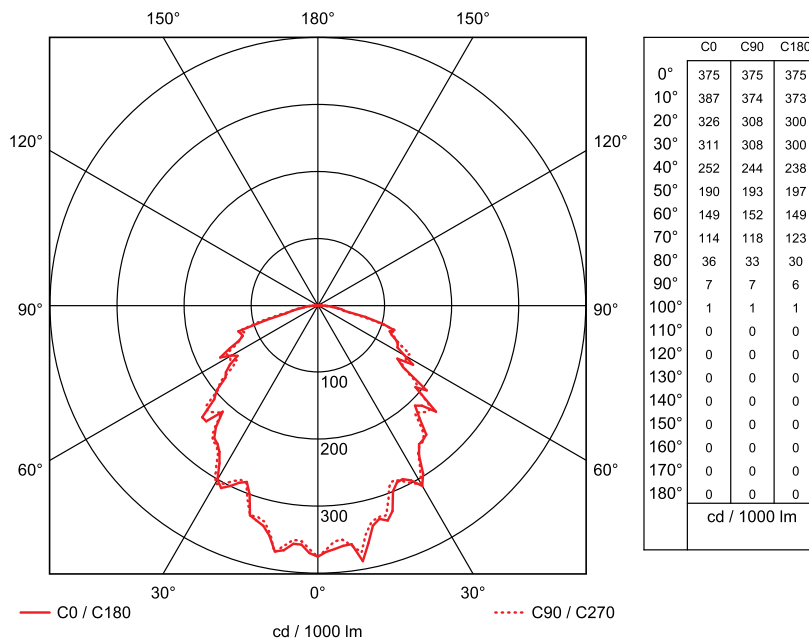


To supply and install TamLite's DLC Series of LED Canopy fixture as specified. The Luminaire shall operate at 347VAC to 480VAC. The housing shall be constructed of Die-Cast Aluminium with a powder coat finish over chromate conversion treatment with a clear, bevelled polycarbonate lens. The Luminaire shall be wet location listed. LEDs shall be as specified Nichia® LED chips. The luminaire shall be c-UL-us and DLC qualified.



PERFORMANCE SPECIFICATIONS

FIG. 1 - Luminance Distribution Chart



Environmental Rating: IP65
Efficacy: 87.14 lm/W
BUG Rating: B2U2G1

Certification Standards: DLC, cULus
UL Classification: Wet Location Listed
Limited Product Warranty: 5 Years

Spacing Criteria (0-180): 1.24
Spacing Criteria (90-270): 1.22
Spacing Criteria (Diagonal): 1.30

CONTRACTOR:	
PROJECT:	DATE:
PREPARED BY:	MODEL#: DLC80LED-347V

PERFORMANCE SPECIFICATIONS

FIG. 2 - Co-efficient of Utilization

RATIO	HOUSE SIDE	STREET SIDE	TOTAL
.5	.218	.219	.437
1.0	.343	.345	.688
1.5	.406	.407	.813
2.0	.439	.442	.881
2.5	.459	.462	.920
3.0	.469	.473	.942
3.5	.476	.482	.958
4.0	.480	.486	.965
5.0	.485	.492	.978
TOTAL	.494	.502	.996

LED SPECIFICATIONS

LED Type: Nichia ® LED
Number of Chips: 80
Luminous Flux: 6704.2 lm

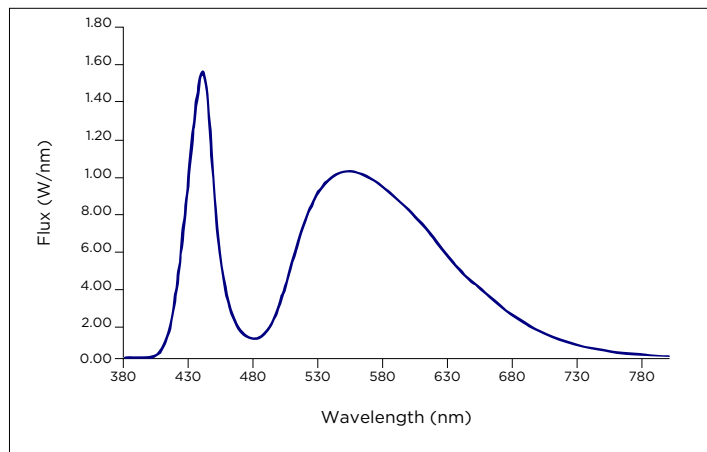
CRI: 75.4
Rated Life: L70=50,000 hrs
Colour Temperature: 5000K

Duv: 0.0044
Beam Angle: 120°
R9: -27

FIG. 3 - Colour Rendering Indices

R1	67	R9	-27
R2	70	R10	29
R3	72	R11	68
R4	69	R12	39
R5	67	R13	66
R6	60	R14	84
R7	74	R15	62
R8	58		

FIG. 4 - Spectral Distribution Chart



CONTRACTOR:	
PROJECT:	DATE:
PREPARED BY:	MODEL#: DLC80LED-347V

ELECTRICAL SPECIFICATIONS

Wattage: 76.94W

Operating Voltage: 347-480 VAC

Current Draw: 0.22A ± 10%

Power Factor: 0.927

I-THD(%): 17.06%

PHYSICAL SPECIFICATIONS

Min. Operating Temp.: -40°C to +50°C

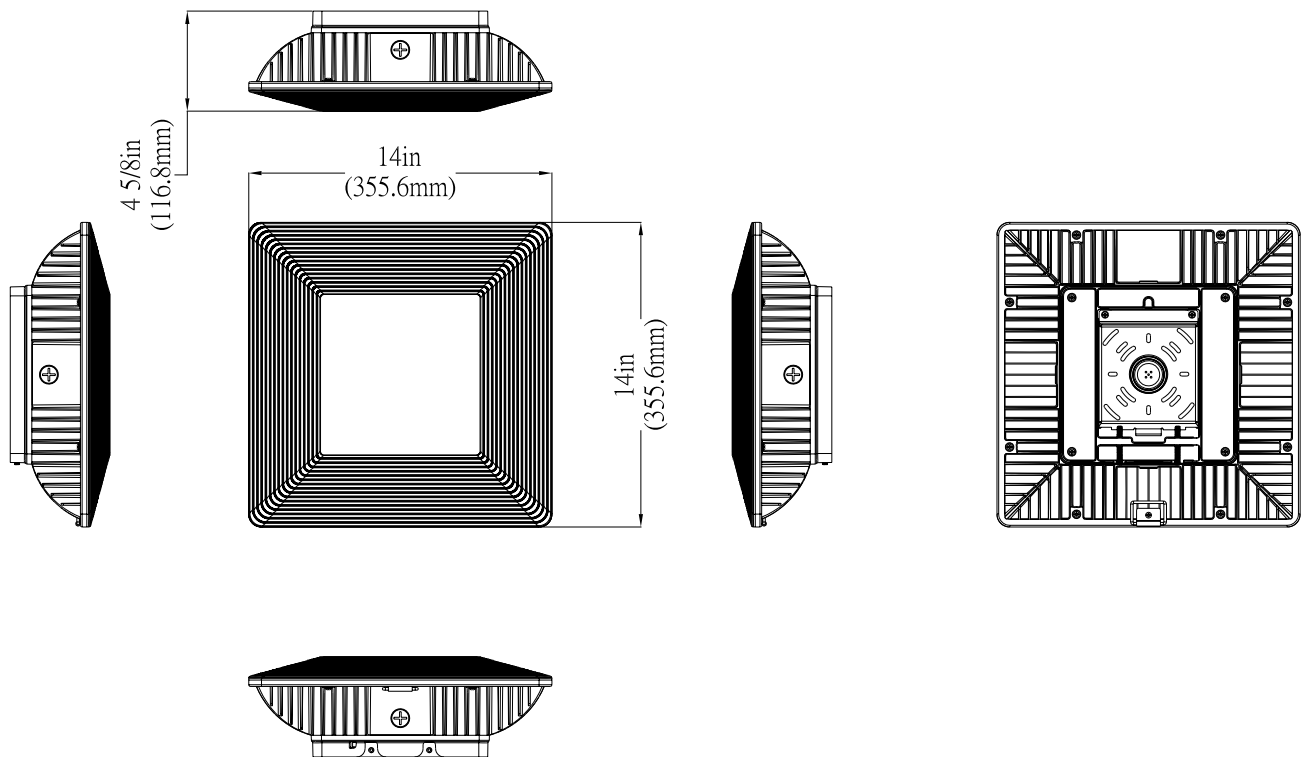
Cover Style: Clear

Housing Material: Die-Cast Aluminium

Lens/Cap Material: Polycarbonate

Suggested Mounting Height: 2.5m to 4.5m

LINE DRAWING





CONTRACTOR:	
PROJECT:	DATE:
PREPARED BY:	MODEL#: DLC80LED-347V

ORDERING INFORMATION

Part Number: DLC80LED-347V

Package Quantity: 1

Carton Quantity: 2

Package Length: 415mm - 16.34"

Package Width: 415mm - 16.34"

Carton Length: 425mm - 17"

Carton Width: 425mm - 17"

Package Height: 180mm - 7.09"

Package Weight: 6.62kg - 14.60lbs

Carton Height: 400mm - 15.7"

Carton Weight: 14.15kg - 31.20lbs