

CONTRACTOR:	
PROJECT:	DATE:
PREPARED BY:	MODEL#: DLCVPLED12C

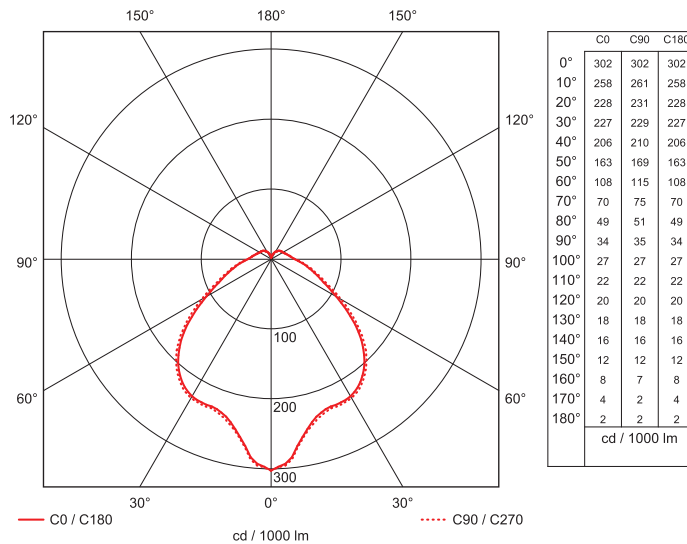
SERIES SPECIFICATIONS

To supply and install TamLite DLVP Series of Protected LED vapour proof fixtures as specified. The luminaire shall operate at 120-277VAC. The housing shall be constructed of die-cast aluminum with a borosilicate glass globe, and die-cast protective cage. The fixture shall be Wet Location listed. A durable formed gasket shall be provided between the enclosure and the globe. All parts shall be corrosion resistant. LED Chips shall be as specified CREE® COB LED Chips. The fixture shall be c-UL-us approved.



PERFORMANCE SPECIFICATIONS

FIG.1 - Luminance Distribution Chart



- Environmental Rating:** IP65
- UL Classification:** Wet Location Listed
- Certification Standards:** cULus
- Limited Product Warranty:** 5 Years
- Anti-Corrosion Warranty:** 5 Years
- Min Operating Temp:** -30°C
- Max Operating Temp:** 50°C

CONTRACTOR:	
PROJECT:	DATE:
PREPARED BY:	MODEL#: DLCVPLED12C

LED SPECIFICATIONS

LED: CREE® CXA1512
LED Type: COB
R9: -24

Efficacy: 73.22 lm/W
Colour Temperature: 5000K
Delivered Lumens: 771.70 lm

Average Life: L70= 36,000 hrs
Chromacity: x = 0.3435; y = 0.3571
CRI: >70

FIG.2 - Colour Rendering Indices

R1	70	R9	-24
R2	78	R10	45
R3	82	R11	69
R4	73	R12	43
R5	70	R13	72
R6	68	R14	89
R7	82	R15	66
R8	59		

FIG.3 - Spectral Power Distribution

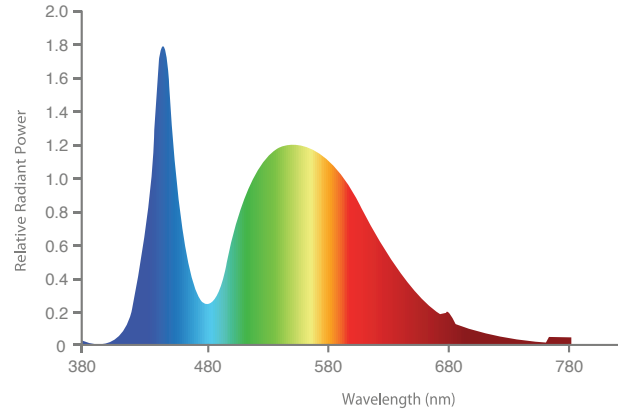


FIG.4 - Co-efficient of Utilization

ρCC	80						50			30			10			0
	50	30	10	50	30	10	50	30	10	50	30	10	50	30	10	0
RCR																
0	1.16	1.16	1.16	1.12	1.12	1.12	1.04	1.04	1.04	0.97	0.97	0.97	0.91	0.91	0.91	.88
1	.99	.95	.91	.96	.92	.88	.89	.86	.83	.83	.81	.78	.78	.76	.74	.71
2	.86	.79	.73	.83	.77	.71	.78	.72	.68	.73	.68	.64	.68	.64	.61	.58
3	.75	.67	.60	.73	.65	.59	.68	.62	.56	.64	.58	.54	.60	.55	.51	.49
4	.66	.57	.51	.64	.56	.50	.60	.53	.48	.56	.50	.46	.53	.48	.44	.41
5	.59	.50	.43	.57	.49	.42	.54	.46	.41	.50	.44	.39	.47	.42	.38	.35
6	.53	.44	.37	.51	.43	.37	.48	.41	.35	.45	.39	.34	.43	.37	.33	.31
7	.48	.39	.33	.46	.38	.32	.44	.36	.31	.41	.35	.30	.39	.33	.29	.27
8	.43	.35	.29	.42	.34	.29	.40	.33	.28	.38	.31	.27	.36	.30	.26	.24
9	.40	.31	.26	.39	.31	.26	.37	.30	.25	.35	.28	.24	.33	.27	.23	.21
10	.37	.29	.23	.36	.28	.23	.34	.27	.22	.32	.26	.22	.30	.25	.21	.19

ELECTRICAL SPECIFICATIONS

Input Voltage: 120-277VAC
Input Current: 0.090A

Fixture Draw: 12W

Power Factor: 0.984

CONTRACTOR:	
PROJECT:	DATE:
PREPARED BY:	MODEL#: DLCVPLED12C

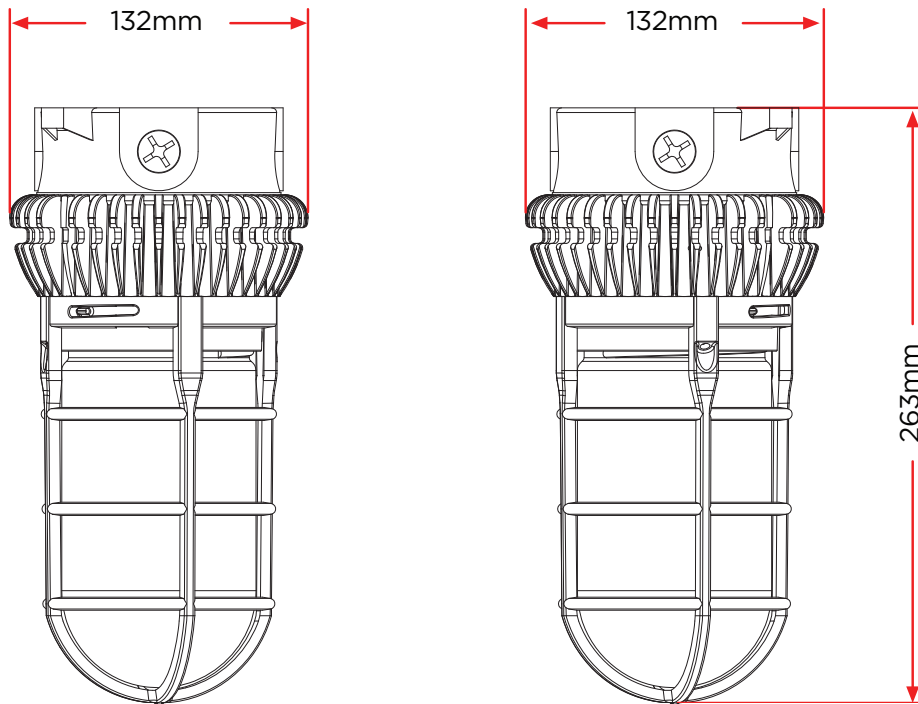
PHYSICAL SPECIFICATIONS

Colour(s): Grey
Knockouts: 1/2" NPT Coin Plugs
Mounting: Mounting Tabs on 4" Box

Housing Material: Die Cast Aluminum
Socket Material: Ceramic
Lens Material: Tempered Glass

Lens Type: Clear

LINE DRAWING



ORDERING INFORMATION

Part Number: DLCVPLED12C

Carton Quantity: 1

Shipping Length: 5.71" - 145mm

Shipping Width: 10.83" - 275mm

Shipping Height: 7.48" - 190mm

Shipping Weight: 3.3 lbs - 1.5kg



The U.S. Department of Energy's LED Lighting Facts® Program has verified product performance based on industry-standardized testing.



For details, see: Tamlite Lighting

Model # DLCVPLED12C [Upgrade 10/2015]

www.lightingfacts.com/products