

<b>CONTRACTOR:</b>	
<b>PROJECT:</b>	<b>DATE:</b>
<b>PREPARED BY:</b>	<b>MODEL#: DLLSP6LED</b>

## SERIES SPECIFICATIONS

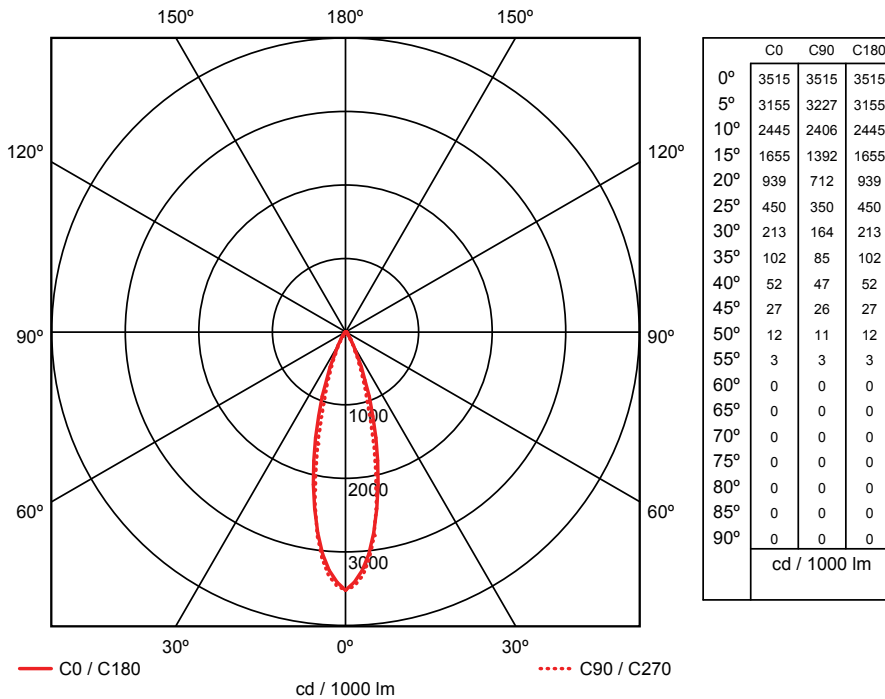


To supply and install TamLite DLLSP Series of outdoor LED fixtures as specified. The luminaire shall operate at 120VAC to 277VAC and use a CREE® Approved Driver. The housing shall be constructed of powder-coated aluminum with a bolt-on case to allow for replacement access, and a tempered glass lens. A durable formed gasket shall be provided between the enclosure and the lens. The reflector shall be made of highly specular material and contoured to maximize light output efficiency. All parts shall be corrosion resistant. LEDs shall be as specified, CREE® XT-E LED Chips. The LEDs shall be supplied with the luminaire. The fixture shall be c-UL-us approved.



## PERFORMANCE SPECIFICATIONS

FIG.1 - Luminance Distribution Chart



**Environmental Rating:**

Wet Location Listed

**Certification Standards:** cULus

**Anti-Corrosion Warranty:** 5 Years

**Limited Product Warranty:** 3 Years

<b>CONTRACTOR:</b>	
<b>PROJECT:</b>	<b>DATE:</b>
<b>PREPARED BY:</b>	<b>MODEL#:</b> DLLSP6LED

## LED SPECIFICATIONS

**FIG.2.1 - Zonal Lumen Summary**

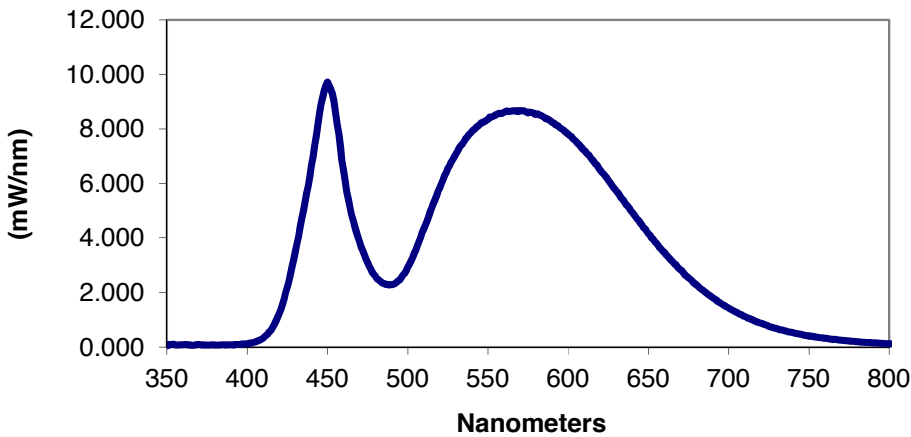
ZONE	LUMENS	%LUMINAIRE
0-30	459.5	90.5
0-40	494.1	97.3
0-60	507.7	100.0
60-90	0.0	0.0
0-90	507.7	100.0
90-180	0.0	0.0
0-180	507.7	100.0

**FIG.2.2 - Zonal Lumen Summary**

ZONE	LUMENS	%LUMINAIRE
0-10	141.5	27.9
10-20	215.3	42.4
20-30	102.7	20.2
30-40	34.6	6.8
40-50	11.5	2.3
50-60	2.1	0.4
60-70	0.0	0.0
70-80	0.0	0.0
80-90	0.0	0.0

## LED SPECIFICATIONS

**FIG.3 - Spectral Distribution Chart**



**LED Chip:** CREE® XT-E  
**LED Type:** Constant Current LED  
**CRI:** 75.5  
**Average Life:** 54,400 hrs  
**Delivered Lumens:** 534 lm  
**Colour Temperature:** 4544 K  
**Tj MAX:** 85°C  
**Efficacy:** 46.00 lm/W  
**Duv:** 0.002  
**R9:** -7.60  
**Chromaticity:** x = 0.360; y = 0.369  
**Photocell:** Extra

<b>CONTRACTOR:</b>	
<b>PROJECT:</b>	<b>DATE:</b>
<b>PREPARED BY:</b>	<b>MODEL#: DLLSP6LED</b>

## ELECTRICAL SPECIFICATIONS

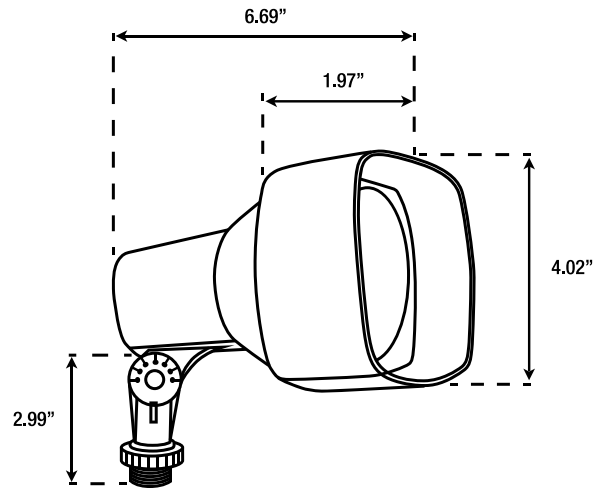
**Voltage:** 120-277VAC  
**Fixture Draw:** 11.60W  
**Current Draw:** 0.183A

**Lamp Type:** Constant Current LED  
**Power Factor:** 0.527 @ 120VAC  
**THD%:** 142.6% @ 120VAC

**Driver:** CREE® Approved Driver

## PHYSICAL SPECIFICATIONS

**Colour(s):** Architectural Bronze Finish  
**Finish Type:** Powder Coat over Chromate Conversion Coat  
**Knockouts:** 1/2" NPT Coin Plugs  
**Mounting:** Drill-Out Mounting Holes  
**Housing Material:** Die Cast Aluminum  
**Lens Material:** Tempered Borosilicate Glass  
**Lens Type:** Clear  
**Reflector Material:** Aluminum



## ORDERING INFORMATION

**Part Number:** DLLSP6LED

**Inner Package Quantity:** 1

**Shipping Length:** 215.9mm - 8.5"

**Shipping Width:** 114.3mm - 4.5"

**Shipping Height:** 104.8mm - 4.125"

**Shipping Weight:** 2lbs. - 0.91kg