

<b>CONTRACTOR:</b>	
<b>PROJECT:</b>	<b>DATE:</b>
<b>PREPARED BY:</b>	<b>MODEL#: DLT5SF4-154-PRUNV</b>

## SERIES SPECIFICATIONS

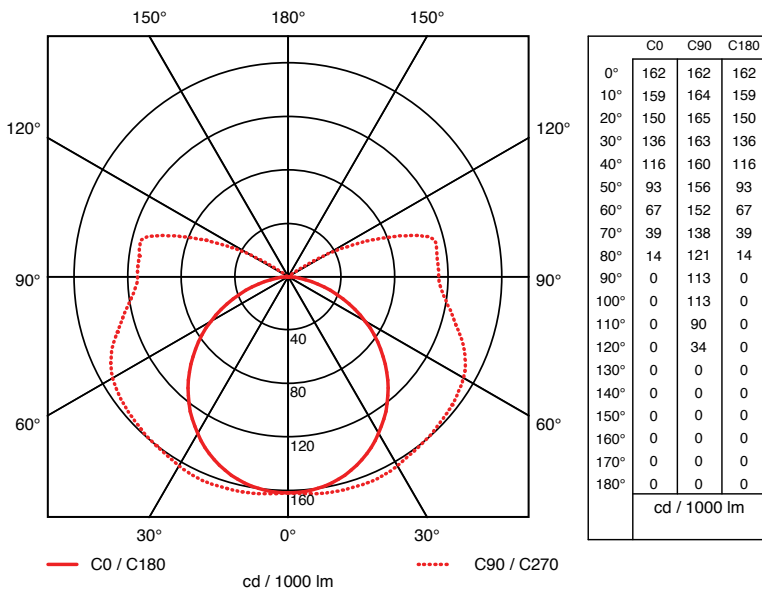


To supply and install TamLite DLSF series of fluorescent fixtures as specified. The luminaire shall operate at 120, 277, or 347VAC and use high efficiency Fusion® electronic ballasts. The housing shall be constructed of powder-coated steel. Lamps shall be as specified, linear fluorescent lamps up to a maximum of the rated lamp wattage on the fixture nameplate. The lamps shall not be supplied with the luminaire. The fixture shall be c-UL-us approved.



## PERFORMANCE SPECIFICATIONS

**FIG.1 -** Luminance Distribution Chart



**FIG.2 -** Zonal Lumen Summary

ZONE	LUMENS	%LAMP	%LUMINAIRE
0-30	587	13.21	15.35
0-40	992	22.31	25.92
0-60	1937	43.54	50.57
0-90	3153	70.87	82.32
40-90	2160	48.55	56.40
60-90	1216	27.33	31.75
90-180	677	15.22	17.68
0-180	3830	86.09	100.00

**Ingress Protection Rating:**  
Dry Location Listed

**Certification Standards:** cULus  
**Limited Product Warranty:** 3 Years

**Min. Operating Temp:** -29°C / -20°F  
**Spacing Criteria:** Along = 1.2, Across = 1.5

\* Different photometric specifications apply when a reflector is used in combination with fixture. Please contact manufacturer for specification sheets

<b>CONTRACTOR:</b>	
<b>PROJECT:</b>	<b>DATE:</b>
<b>PREPARED BY:</b>	<b>MODEL#: DLT5SF4-154-PRUNV</b>

## PERFORMANCE SPECIFICATIONS

**FIG.3 - Co-efficient of Utilization**

**Effective Floor Cavity Reflectance - 0.20**

ρCC	80				70				50			30			10			0
	70	50	30	10	70	50	30	10	50	30	10	50	30	10	50	30	10	0
<b>RCR</b>																		
0	.99	.99	.99	.99	.95	.95	.95	.95	.87	.87	.87	.80	.80	.80	.74	.74	.74	.71
1	.88	.82	.78	.74	.84	.79	.75	.71	.72	.69	.66	.66	.64	.61	.61	.59	.57	.54
2	.78	.70	.63	.58	.75	.67	.61	.56	.62	.57	.52	.56	.52	.49	.52	.48	.45	.43
3	.71	.61	.53	.47	.68	.58	.51	.46	.54	.48	.43	.49	.44	.40	.45	.41	.38	.35
4	.65	.54	.45	.39	.61	.51	.44	.38	.47	.41	.36	.43	.38	.34	.40	.35	.31	.29
5	.59	.47	.39	.32	.56	.45	.37	.31	.41	.35	.30	.38	.32	.28	.35	.30	.26	.24
6	.54	.42	.33	.28	.51	.40	.32	.27	.37	.30	.25	.34	.28	.24	.31	.26	.22	.20
7	.49	.37	.29	.24	.47	.36	.28	.23	.33	.26	.22	.30	.25	.21	.28	.23	.19	.17
8	.46	.33	.26	.20	.43	.32	.25	.20	.30	.23	.19	.27	.22	.18	.25	.20	.17	.15
9	.42	.30	.22	.17	.40	.29	.22	.17	.27	.20	.16	.25	.19	.15	.23	.18	.14	.12
10	.39	.27	.20	.15	.37	.26	.20	.15	.24	.18	.14	.22	.17	.13	.21	.16	.12	.11

## RECOMMENDED LAMP SPECIFICATIONS \*not included

**Lamp:** Fusion FF54HO/T5

**Lamp Type:** T5 Linear Fluorescent

**Quantity:** 1

**Wattage:** 54W

**CRI:** 85+

**Initial Lumens:** 4950 lm

**Colour Temperatures:** 3000K, 3500K, 4100K, 5000K, 6500K

**Average Life:** 24,000 hrs

## ELECTRICAL SPECIFICATIONS

**Input Voltage:** 120VAC, 277VAC

**Fixture Draw:** 62W

**Max Lamp Wattage:** 54W

**Lamp Type:** Linear Fluorescent

**Lamp Style:** T5

**Lamp Base:** G5

**Ballast:** Fusion FB254T5MVE

**Ballast Type:** Electronic

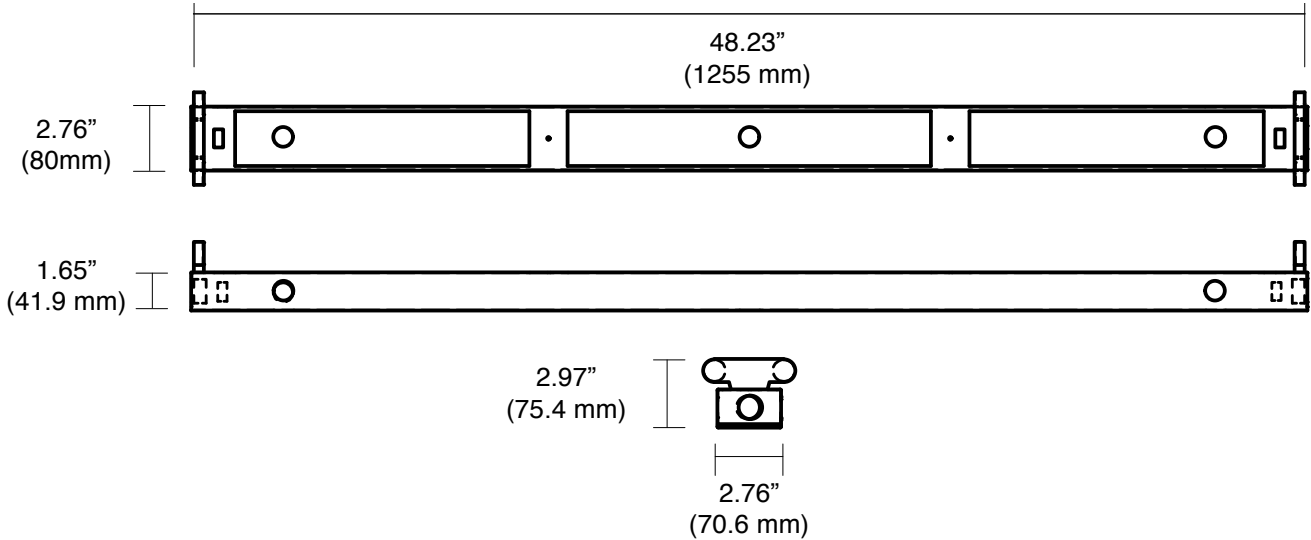
**Ballast Warranty:** 5 Years

### FB254T5MVE

Lamp Type	Rated Lamp Watts	Min. Start Temp. (°F/°C)	Input Current (Amps) @120/277V	Input Power (Watts)	Ballast Factor	Max THD%	Power Factor	Max L.C.C.F
F54T5HO	54W	-20°F/-29°C	0.52/0.23	62W	1.02	10	0.99	1.7

<b>CONTRACTOR:</b>	
<b>PROJECT:</b>	<b>DATE:</b>
<b>PREPARED BY:</b>	<b>MODEL#:</b> DLT5SF4-154-PRUNV

## PHYSICAL SPECIFICATIONS



**Colour(s):** White  
**Housing Material:** Powder Coated Steel

## ORDERING INFORMATION

**Part Number:** DLT5SF4-154-PRUNV

<b>Inner Package Quantity:</b> 1	<b>Inner Package Length:</b> 1250mm - 49.21'	<b>Inner Package Height:</b> 80mm - 3.15"
	<b>Inner Package Width:</b> 48mm - 1.89"	<b>Inner Package Weight:</b> 3.85lbs - 1.76 kg
<b>Carton Quantity:</b> 12	<b>Carton Length:</b> 1270mm - 50'	<b>Carton Height:</b> 210mm - 8.27"
	<b>Carton Width:</b> 260mm - 10.24"	<b>Carton Weight:</b> 24.4 lbs - 11.07 kg

**Accessories:**

- DLSF-RFWH** - Tamlite Strip Reflector (White)
- DLSF-RFCL-MIRO4** - Tamlite Strip Reflector (Miro4)
- DLSF-INDWG** - Tamlite Industrial Wire Guard
- DLSF-LINKIT** - Tamlite Link Kit
- DLSF-COMWG** - Tamlite Commercial Wire Guard