

CONTRACTOR:	
PROJECT:	DATE:
PREPARED BY:	MODEL#: DLT5SF4-254-PRUNV

SERIES SPECIFICATIONS



To supply and install TamLite DLSF series of fluorescent fixtures as specified. The luminaire shall operate at 120, 277, or 347VAC and use high efficiency Fusion® electronic ballasts. The housing shall be constructed of powder-coated steel. Lamps shall be as specified, linear fluorescent lamps up to a maximum of the rated lamp wattage on the fixture nameplate. The lamps shall not be supplied with the luminaire. The fixture shall be c-UL-us approved.



PERFORMANCE SPECIFICATIONS

FIG.1 - Luminance Distribution Chart

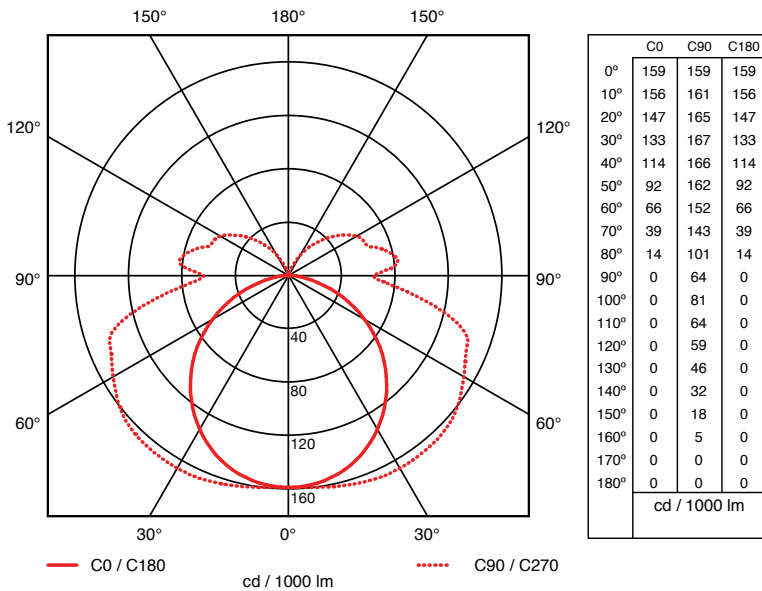


FIG.2 - Zonal Lumen Summary

ZONE	LUMENS	%LAMP	%LUMINAIRE
0-30	1169	13.14	14.88
0-40	1994	22.41	25.37
0-60	3950	44.39	50.24
0-90	6248	70.21	79.47
40-90	4253	47.79	54.10
60-90	2297	25.82	29.23
90-180	1614	18.14	20.53
0-180	7862	88.34	100.00

Ingress Protection Rating:
Dry Location Listed

Certification Standards: cULus
Limited Product Warranty: 3 Years

Min. Operating Temp: -29°C / -20°F
Spacing Criteria: Along = 1.2, Across = 1.6

* Different photometric specifications apply when a reflector is used in combination with fixture. Please contact manufacturer for specification sheets

CONTRACTOR:		DATE:
PROJECT:		MODEL#: DLT5SF4-254-PRUNV
PREPARED BY:		

PERFORMANCE SPECIFICATIONS

FIG.3 - Co-efficient of Utilization

Effective Floor Cavity Reflectance - 0.20

pCC	80				70				50			30			10			0
	70	50	30	10	70	50	30	10	50	30	10	50	30	10	50	30	10	0
RCR																		
0	1.01	1.01	1.01	1.01	.96	.96	.96	.96	.88	.88	.88	.80	.80	.80	.73	.73	.73	.70
1	.90	.85	.81	.77	.86	.81	.77	.73	.74	.71	.68	.67	.65	.63	.62	.59	.58	.55
2	.81	.73	.66	.60	.77	.69	.63	.58	.63	.58	.54	.58	.54	.50	.52	.49	.46	.43
3	.73	.63	.55	.49	.69	.60	.53	.48	.55	.49	.44	.50	.45	.41	.46	.42	.38	.36
4	.66	.55	.47	.41	.63	.53	.45	.39	.48	.42	.37	.44	.39	.35	.40	.36	.32	.30
5	.60	.48	.40	.34	.57	.46	.38	.33	.42	.36	.31	.39	.33	.29	.35	.31	.27	.24
6	.55	.43	.35	.29	.52	.41	.33	.28	.38	.31	.26	.34	.29	.24	.31	.26	.23	.21
7	.51	.38	.30	.25	.48	.37	.29	.24	.34	.27	.22	.31	.25	.21	.28	.23	.20	.18
8	.47	.34	.26	.21	.44	.33	.25	.20	.30	.24	.19	.28	.22	.18	.25	.20	.17	.15
9	.43	.31	.23	.18	.41	.30	.22	.18	.27	.21	.16	.25	.19	.15	.23	.18	.14	.13
10	.40	.28	.21	.16	.38	.27	.20	.15	.25	.19	.14	.23	.17	.13	.21	.16	.13	.11

RECOMMENDED LAMP SPECIFICATIONS *not included

Lamp: Fusion FF54HO/T5

Lamp Type: T5 Linear Fluorescent

Quantity: 2

Wattage: 54W

CRI: 85+

Initial Lumens: 4950 lm

Colour Temperatures: 3000K, 3500K, 4100K, 5000K, 6500K

Average Life: 24,000 hrs

ELECTRICAL SPECIFICATIONS

Input Voltage: 120VAC, 277VAC

Fixture Draw: 116W

Max Lamp Wattage: 54W

Lamp Type: Linear Fluorescent

Lamp Style: T5

Lamp Base: G5

Ballast: Fusion FB254T5MVE

Ballast Type: Electronic

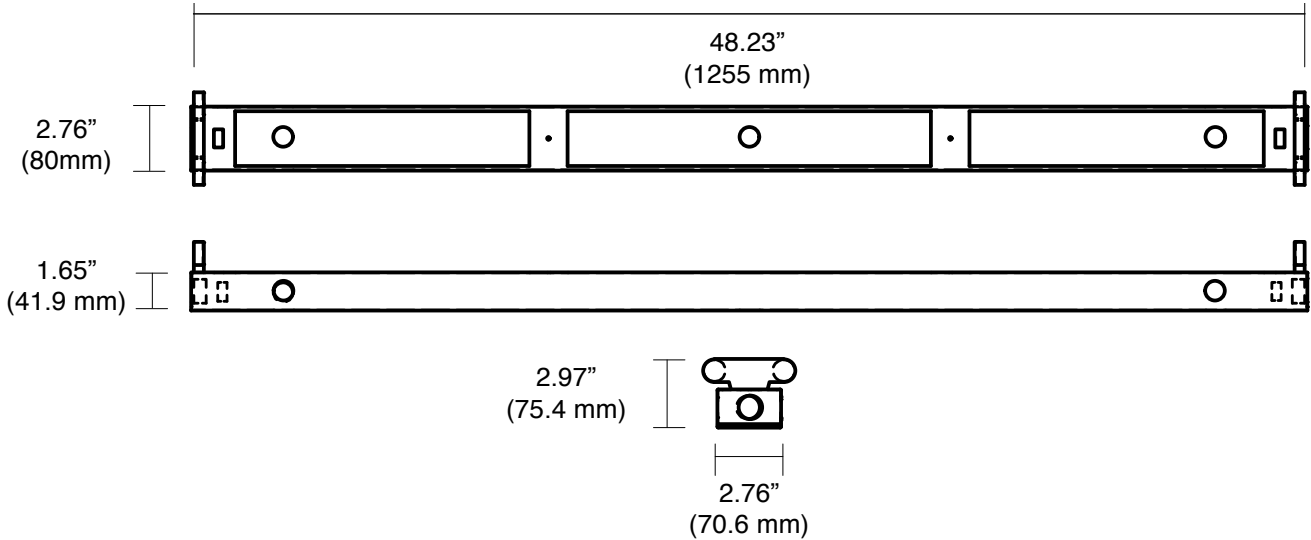
Ballast Warranty: 5 Years

FB254T5MVE

Lamp Type	Rated Lamp Watts	Min. Start Temp. (°F/°C)	Input Current (Amps) @120/277V	Input Power (Watts)	Ballast Factor	Max THD%	Power Factor	Max L.C.C.F
F54T5HO	54W	-20°F/-29°C	0.97/0.43	116W	0.99	10	0.99	1.7

CONTRACTOR:	
PROJECT:	DATE:
PREPARED BY:	MODEL#: DLT5SF4-254-PRUNV

PHYSICAL SPECIFICATIONS



Colour(s): White
Housing Material: Powder Coated Steel

ORDERING INFORMATION

Part Number: DLT5SF4-254-PRUNV

Inner Package Quantity: 1	Inner Package Length: 1250mm - 49.21'	Inner Package Height: 80mm - 3.15"
	Inner Package Width: 48mm - 1.89"	Inner Package Weight: 3.85lbs - 1.76 kg
Carton Quantity: 12	Carton Length: 1270mm - 50'	Carton Height: 210mm - 8.27"
	Carton Width: 260mm - 10.24"	Carton Weight: 24.4 lbs - 11.07 kg

Accessories:

- DLSF-RFWH** - Tamlite Strip Reflector (White)
- DLSF-RFCL-MIRO4** - Tamlite Strip Reflector (Miro4)
- DLSF-INDWG** - Tamlite Industrial Wire Guard
- DLSF-LINKIT** - Tamlite Link Kit
- DLSF-COMWG** - Tamlite Commercial Wire Guard