

<b>CONTRACTOR:</b>	
<b>PROJECT:</b>	<b>DATE:</b>
<b>PREPARED BY:</b>	<b>MODEL#: DLT8SF4-132-IS347</b>

## SERIES SPECIFICATIONS

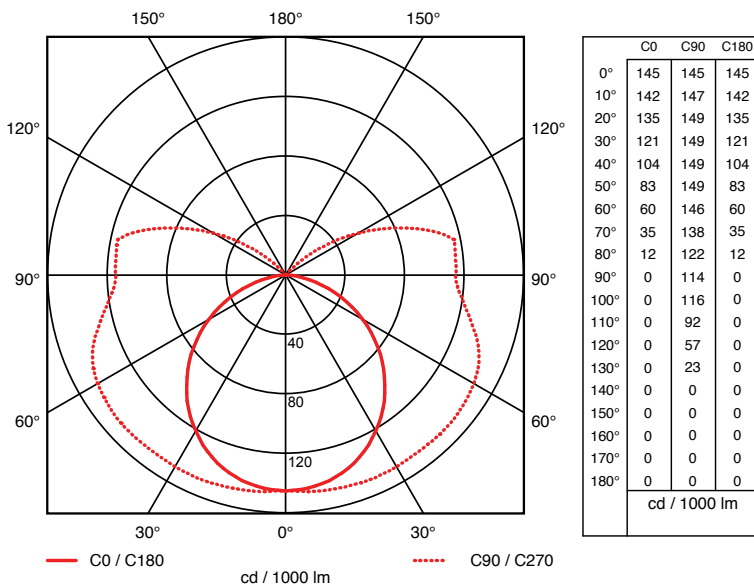


To supply and install Tamlite DLSF series of fluorescent fixtures as specified. The luminaire shall operate at 120, 277, or 347VAC and use high efficiency Fusion® electronic ballasts. The housing shall be constructed of powder-coated steel. Lamps shall be as specified, linear fluorescent lamps up to a maximum of the rated lamp wattage on the fixture nameplate. The lamps shall not be supplied with the luminaire. The fixture shall be c-UL-us approved.



## PERFORMANCE SPECIFICATIONS

**FIG.1 - Luminance Distribution Chart**



**FIG.2 - Zonal Lumen Summary**

ZONE	LUMENS	%LAMP	%LUMINAIRE
0-30	350	11.88	13.95
0-40	594	20.14	23.66
0-60	1176	39.89	46.86
0-90	1977	67.02	78.73
40-90	1383	46.88	55.07
60-90	800	27.13	31.87
90-180	534	18.11	21.27
0-180	2511	85.13	100.00

**Ingress Protection Rating:**  
Dry Location Listed

**Certification Standards:** cULus  
**Limited Product Warranty:** 3 Years

**Min. Operating Temp:** -29°C / -20°F  
**Spacing Criteria:** Along = 1.2, Across = 1.6

\* Different photometric specifications apply when a reflector is used in combination with fixture. Please contact manufacturer for specification sheets

<b>CONTRACTOR:</b>	
<b>PROJECT:</b>	<b>DATE:</b>
<b>PREPARED BY:</b>	<b>MODEL#: DLT8SF4-132-IS347</b>

## PERFORMANCE SPECIFICATIONS

**FIG.3 - Co-efficient of Utilization**

**Effective Floor Cavity Reflectance - 0.20**

ρCC	80				70				50			30			10			0
	70	50	30	10	70	50	30	10	50	30	10	50	30	10	50	30	10	0
<b>RCR</b>																		
0	.97	.97	.97	.97	.93	.93	.93	.93	.85	.85	.85	.77	.77	.77	.70	.70	.70	.67
1	.86	.81	.76	.72	.81	.77	.73	.69	.70	.66	.63	.63	.61	.58	.57	.55	.53	.50
2	.77	.68	.62	.56	.73	.65	.59	.54	.59	.54	.50	.54	.50	.46	.48	.45	.42	.39
3	.69	.59	.52	.45	.66	.57	.50	.44	.51	.46	.41	.47	.42	.38	.42	.38	.35	.32
4	.63	.52	.44	.38	.60	.50	.42	.36	.45	.39	.34	.41	.36	.32	.37	.33	.29	.27
5	.57	.45	.37	.31	.54	.43	.36	.30	.39	.33	.28	.36	.30	.26	.32	.28	.24	.22
6	.52	.40	.32	.27	.49	.38	.31	.26	.35	.29	.24	.32	.26	.22	.29	.24	.21	.18
7	.48	.36	.28	.23	.46	.34	.27	.22	.31	.25	.21	.29	.23	.19	.26	.21	.18	.16
8	.44	.32	.25	.19	.42	.31	.24	.19	.28	.22	.18	.26	.20	.16	.23	.19	.15	.13
9	.41	.29	.22	.17	.39	.28	.21	.16	.25	.19	.15	.23	.18	.14	.21	.16	.13	.11
10	.38	.26	.19	.15	.36	.25	.19	.14	.23	.17	.13	.21	.16	.12	.19	.15	.11	.10

## RECOMMENDED LAMP SPECIFICATIONS \*not included

**Lamp:** Fusion FF32/T8

**Lamp Type:** T8 Linear Fluorescent

**Quantity:** 1

**Wattage:** 32W

**CRI:** 85+

**Initial Lumens:** 3050 lm

**Colour Temperatures:** 3000K, 3500K, 4100K, 5000K, 6500K

**Average Life:** 24,000 hrs

## ELECTRICAL SPECIFICATIONS

**Input Voltage:** 347VAC

**Fixture Draw:** 36W

**Max Lamp Wattage:** 32W

**Lamp Type:** Linear Fluorescent

**Lamp Style:** T8

**Lamp Base:** G13

**Ballast:** Fusion FB232347E-L

**Ballast Type:** Electronic

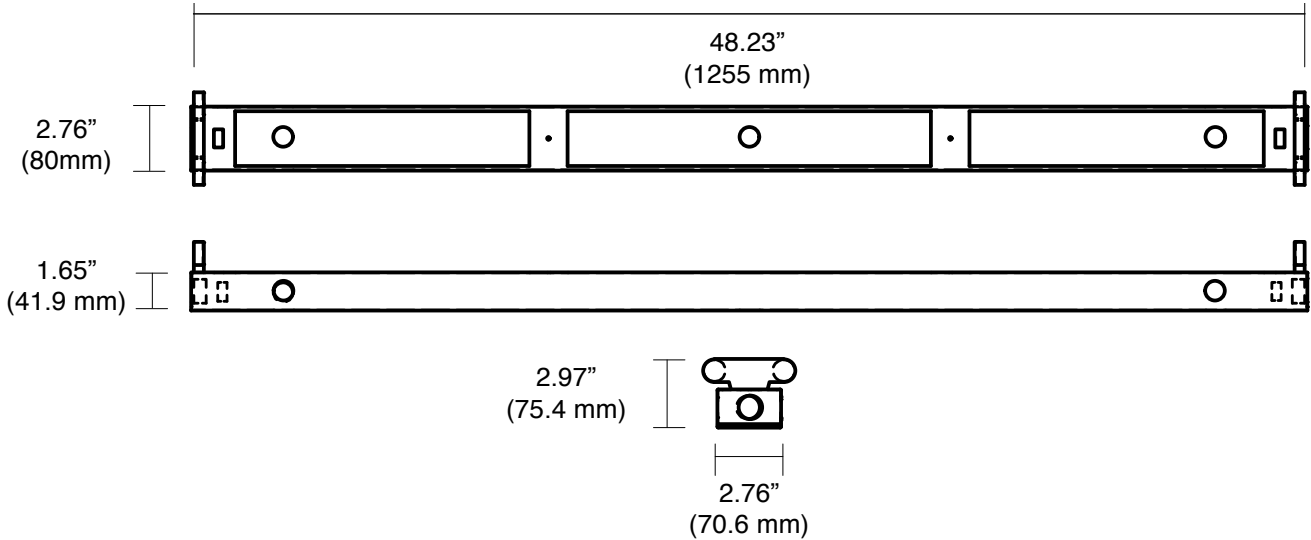
**Ballast Warranty:** 5 Years

### FB232347E-L

Lamp Type	Rated Lamp Watts	Min. Start Temp. (°F/°C)	Input Current (Amps) @347V	Input Power (Watts)	Ballast Factor	Max THD%	Power Factor	Max L.C.C.F
F32T8	32W	0°F/-18°C	0.11	36W	1.01	15	0.98	2.81

CONTRACTOR:	
PROJECT:	DATE:
PREPARED BY:	MODEL#: DLT8SF4-132-IS347

## PHYSICAL SPECIFICATIONS



**Colour(s):** White  
**Housing Material:** Powder Coated Steel

## ORDERING INFORMATION

**Part Number:** DLT8SF4-132-IS347

<b>Inner Package Quantity:</b> 1	<b>Inner Package Length:</b> 1250mm - 49.21'	<b>Inner Package Height:</b> 80mm - 3.15"
	<b>Inner Package Width:</b> 48mm - 1.89"	<b>Inner Package Weight:</b> 3.55lbs - 1.62kg
<b>Carton Quantity:</b> 12	<b>Carton Length:</b> 1270mm - 50'	<b>Carton Height:</b> 210mm - 8.27"
	<b>Carton Width:</b> 260mm - 10.24"	<b>Carton Weight:</b> 24.4 lbs - 11.07 kg

**Accessories:**

- DLSF-RFWH** - Tamlite Strip Reflector (White)
- DLSF-RFCL-MIRO4** - Tamlite Strip Reflector (Miro4)
- DLSF-INDWG** - Tamlite Industrial Wire Guard
- DLSF-LINKIT** - Tamlite Link Kit
- DLSF-COMWG** - Tamlite Commercial Wire Guard