

CONTRACTOR:	
PROJECT:	DATE:
PREPARED BY:	MODEL#: DLT8SF4-132-ISUNV

SERIES SPECIFICATIONS



To supply and install TamLite DLSF series of fluorescent fixtures as specified. The luminaire shall operate at 120, 277, or 347VAC and use high efficiency Fusion® electronic ballasts. The housing shall be constructed of powder-coated steel. Lamps shall be as specified, linear fluorescent lamps up to a maximum of the rated lamp wattage on the fixture nameplate. The lamps shall not be supplied with the luminaire. The fixture shall be c-UL-us approved.



PERFORMANCE SPECIFICATIONS

FIG.1 - Luminance Distribution Chart

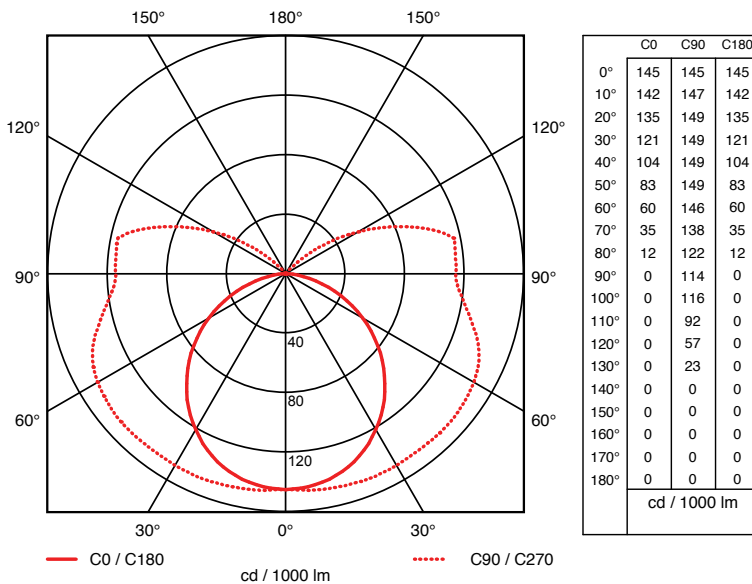


FIG.2 - Zonal Lumen Summary

ZONE	LUMENS	%LAMP	%LUMINAIRE
0-30	350	11.88	13.95
0-40	594	20.14	23.66
0-60	1176	39.89	46.86
0-90	1977	67.02	78.73
40-90	1383	46.88	55.07
60-90	800	27.13	31.87
90-180	534	18.11	21.27
0-180	2511	85.13	100.00

Ingress Protection Rating:
Dry Location Listed

Certification Standards: cULus
Limited Product Warranty: 3 Years

Min. Operating Temp: -29°C / -20°F
Spacing Criteria: Along = 1.2, Across = 1.6

* Different photometric specifications apply when a reflector is used in combination with fixture. Please contact manufacturer for specification sheets

CONTRACTOR:		DATE:
PROJECT:		MODEL#: DLT8SF4-132-ISUNV
PREPARED BY:		

PERFORMANCE SPECIFICATIONS

FIG.3 - Co-efficient of Utilization

Effective Floor Cavity Reflectance - 0.20

ρCC	80				70				50			30			10			0
	70	50	30	10	70	50	30	10	50	30	10	50	30	10	50	30	10	0
RCR																		
0	.97	.97	.97	.97	.93	.93	.93	.93	.85	.85	.85	.77	.77	.77	.70	.70	.70	.67
1	.86	.81	.76	.72	.81	.77	.73	.69	.70	.66	.63	.63	.61	.58	.57	.55	.53	.50
2	.77	.68	.62	.56	.73	.65	.59	.54	.59	.54	.50	.54	.50	.46	.48	.45	.42	.39
3	.69	.59	.52	.45	.66	.57	.50	.44	.51	.46	.41	.47	.42	.38	.42	.38	.35	.32
4	.63	.52	.44	.38	.60	.50	.42	.36	.45	.39	.34	.41	.36	.32	.37	.33	.29	.27
5	.57	.45	.37	.31	.54	.43	.36	.30	.39	.33	.28	.36	.30	.26	.32	.28	.24	.22
6	.52	.40	.32	.27	.49	.38	.31	.26	.35	.29	.24	.32	.26	.22	.29	.24	.21	.18
7	.48	.36	.28	.23	.46	.34	.27	.22	.31	.25	.21	.29	.23	.19	.26	.21	.18	.16
8	.44	.32	.25	.19	.42	.31	.24	.19	.28	.22	.18	.26	.20	.16	.23	.19	.15	.13
9	.41	.29	.22	.17	.39	.28	.21	.16	.25	.19	.15	.23	.18	.14	.21	.16	.13	.11
10	.38	.26	.19	.15	.36	.25	.19	.14	.23	.17	.13	.21	.16	.12	.19	.15	.11	.10

RECOMMENDED LAMP SPECIFICATIONS *not included

Lamp: Fusion FF32/T8

Lamp Type: T8 Linear Fluorescent

Quantity: 1

Wattage: 32W

CRI: 85+

Initial Lumens: 3050 lm

Colour Temperatures: 3000K, 3500K, 4100K, 5000K, 6500K

Average Life: 24,000 hrs

ELECTRICAL SPECIFICATIONS

Input Voltage: 120VAC, 277VAC

Fixture Draw: 36W

Max Lamp Wattage: 32W

Lamp Type: Linear Fluorescent

Lamp Style: T8

Lamp Base: G13

Ballast: Fusion FB232MVE

Ballast Type: Electronic

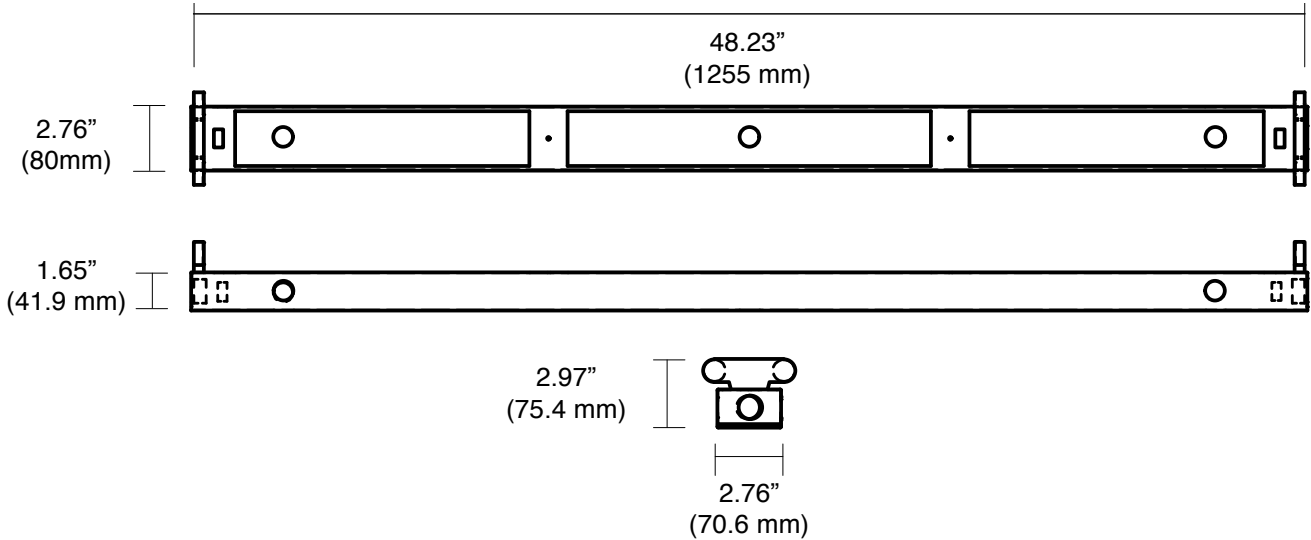
Ballast Warranty: 5 Years

FB232MVE

Lamp Type	Rated Lamp Watts	Min. Start Temp. (°F/°C)	Input Current (Amps) @120/277V	Input Power (Watts)	Ballast Factor	Max THD%	Power Factor	Max L.C.C.F
F32T8	32W	0°F/-18°C	0.30/0.13	36W	1.09	10	0.99	1.7

CONTRACTOR:	
PROJECT:	DATE:
PREPARED BY:	MODEL#: DLT8SF4-132-ISUNV

PHYSICAL SPECIFICATIONS



Colour(s): White
Housing Material: Powder Coated Steel

ORDERING INFORMATION

Part Number: DLT8SF4-132-ISUNV

Inner Package Quantity: 1	Inner Package Length: 1250mm - 49.21'	Inner Package Height: 80mm - 3.15"
	Inner Package Width: 48mm - 1.89"	Inner Package Weight: 3.55lbs - 1.62kg
Carton Quantity: 12	Carton Length: 1270mm - 50'	Carton Height: 210mm - 8.27"
	Carton Width: 260mm - 10.24"	Carton Weight: 24.4 lbs - 11.07 kg

Accessories:

- DLSF-RFWH - Tamlite Strip Reflector (White)
- DLSF-RFCL-MIRO4 - Tamlite Strip Reflector (Miro4)
- DLSF-INDWG - Tamlite Industrial Wire Guard
- DLSF-LINKIT - Tamlite Link Kit
- DLSF-COMWG - Tamlite Commercial Wire Guard