

CONTRACTOR:	
PROJECT:	DATE:
PREPARED BY:	MODEL#: DLT8SF4-232-ISUNV

SERIES SPECIFICATIONS



To supply and install Tamlite DLSF series of fluorescent fixtures as specified. The luminaire shall operate at 120, 277, or 347VAC and use high efficiency Fusion® electronic ballasts. The housing shall be constructed of powder-coated steel. Lamps shall be as specified, linear fluorescent lamps up to a maximum of the rated lamp wattage on the fixture nameplate. The lamps shall not be supplied with the luminaire. The fixture shall be c-UL-us approved.



PERFORMANCE SPECIFICATIONS

FIG.1 - Luminance Distribution Chart

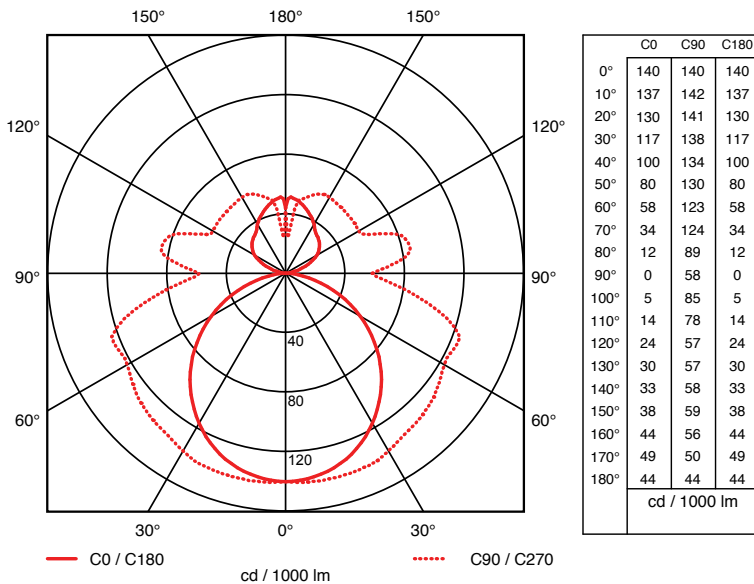


FIG.2 - Zonal Lumen Summary

ZONE	LUMENS	%LAMP	%LUMINAIRE
0-30	669	11.34	13.14
0-40	1124	19.06	22.07
0-60	2167	36.73	42.55
0-90	3432	58.17	67.38
40-90	2307	39.12	45.31
60-90	1264	21.44	24.83
90-180	1661	28.16	32.62
0-180	5093	86.34	100.00

Ingress Protection Rating:
Dry Location Listed

Certification Standards: cULus
Limited Product Warranty: 3 Years

Min. Operating Temp: -18°C / 0°F
Spacing Criteria: Along = 1.2, Across = 1.5

* Different photometric specifications apply when a reflector is used in combination with fixture. Please contact manufacturer for specification sheets

CONTRACTOR:		DATE:	
PROJECT:		MODEL#: DLT8SF4-232-ISUNV	
PREPARED BY:			

PERFORMANCE SPECIFICATIONS

FIG.3 - Co-efficient of Utilization

Effective Floor Cavity Reflectance - 0.20

pCC	80				70				50			30			10			0
	70	50	30	10	70	50	30	10	50	30	10	50	30	10	50	30	10	0
RCR																		
0	.96	.96	.96	.96	.91	.91	.91	.91	.80	.80	.80	.71	.71	.71	.62	.62	.62	.58
1	.86	.81	.77	.73	.81	.77	.73	.69	.68	.65	.62	.60	.57	.55	.52	.50	.49	.45
2	.77	.70	.63	.58	.72	.65	.60	.55	.58	.53	.49	.51	.47	.44	.44	.42	.39	.36
3	.70	.61	.53	.48	.65	.57	.51	.45	.51	.45	.41	.44	.40	.37	.39	.35	.33	.30
4	.64	.53	.45	.40	.60	.50	.43	.38	.44	.39	.34	.39	.35	.31	.34	.31	.27	.25
5	.58	.46	.39	.33	.54	.44	.37	.31	.39	.33	.29	.34	.29	.26	.30	.26	.23	.20
6	.53	.41	.34	.28	.50	.39	.32	.27	.35	.29	.24	.31	.26	.22	.27	.23	.20	.17
7	.49	.37	.29	.24	.46	.35	.28	.23	.31	.25	.21	.27	.23	.19	.24	.20	.17	.15
8	.45	.33	.26	.21	.42	.31	.25	.20	.28	.22	.18	.25	.20	.16	.22	.18	.15	.13
9	.41	.30	.23	.18	.39	.28	.22	.17	.25	.20	.16	.22	.17	.14	.20	.15	.12	.11
10	.38	.27	.20	.16	.36	.26	.19	.15	.23	.17	.14	.20	.16	.12	.18	.14	.11	.09

RECOMMENDED LAMP SPECIFICATIONS *not included

Lamp: Fusion FF32/T8

Lamp Type: T8 Linear Fluorescent

Quantity: 1

Wattage: 32W

CRI: 85+

Initial Lumens: 3050 lm

Colour Temperatures: 3000K, 3500K, 4100K, 5000K, 6500K

Average Life: 24,000 hrs

ELECTRICAL SPECIFICATIONS

Input Voltage: 120VAC, 277VAC

Fixture Draw: 56W

Max Lamp Wattage: 32W

Lamp Type: Linear Fluorescent

Lamp Style: T8

Lamp Base: G13

Ballast: Fusion FB232MVE

Ballast Type: Electronic

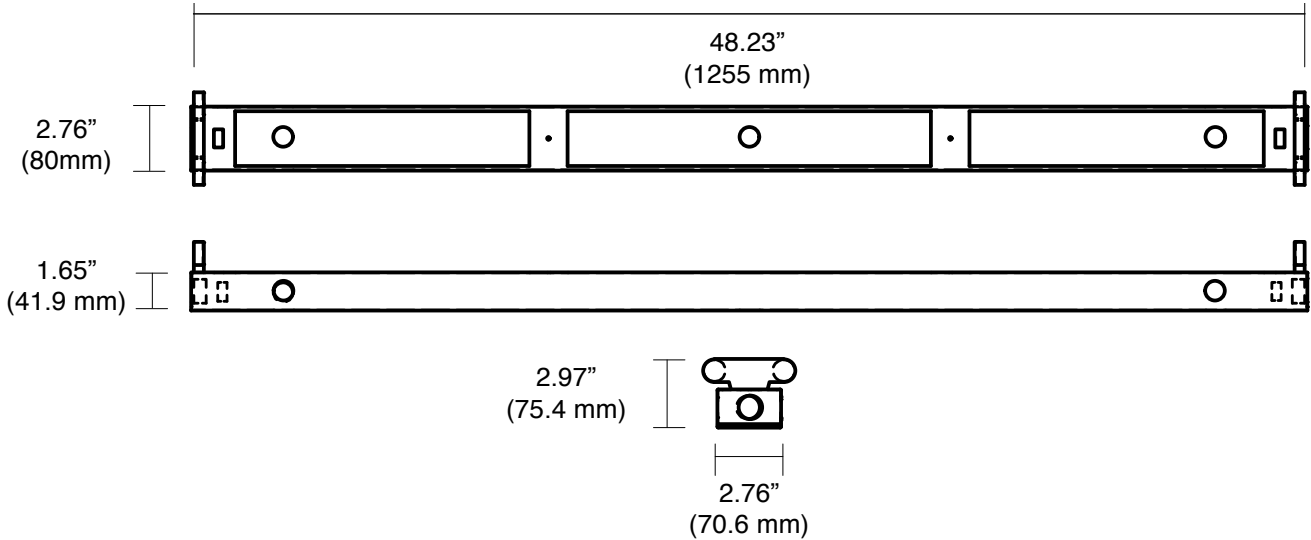
Ballast Warranty: 5 Years

FB232MVE

Lamp Type	Rated Lamp Watts	Min. Start Temp. (°F/°C)	Input Current (Amps) @120/277V	Input Power (Watts)	Ballast Factor	Max THD%	Power Factor	Max L.C.C.F
F32T8	32W	0°F/-18°C	0.49/0.22	56W	0.89	10	0.99	1.7

CONTRACTOR:		DATE:
PROJECT:		
PREPARED BY:	MODEL#: DLT8SF4-232-ISUNV	

PHYSICAL SPECIFICATIONS



Colour(s): White
Housing Material: Powder Coated Steel

ORDERING INFORMATION

Part Number: DLT8SF4-232-ISUNV

Inner Package Quantity: 1	Inner Package Length: 1250mm - 49.21'	Inner Package Height: 80mm - 3.15"
	Inner Package Width: 48mm - 1.89"	Inner Package Weight: 3.55lbs - 1.62kg
Carton Quantity: 12	Carton Length: 1270mm - 50'	Carton Height: 210mm - 8.27"
	Carton Width: 260mm - 10.24"	Carton Weight: 24.4 lbs - 11.07 kg

Accessories:

- DLSF-RFWH - Tamlite Strip Reflector (White)
- DLSF-RFCL-MIRO4 - Tamlite Strip Reflector (Miro4)
- DLSF-INDWG - Tamlite Industrial Wire Guard
- DLSF-LINKIT - Tamlite Link Kit
- DLSF-COMWG - Tamlite Commercial Wire Guard