

CONTRACTOR:		DATE:
PROJECT:		MODEL#: DLVP217
PREPARED BY:		

SERIES SPECIFICATIONS

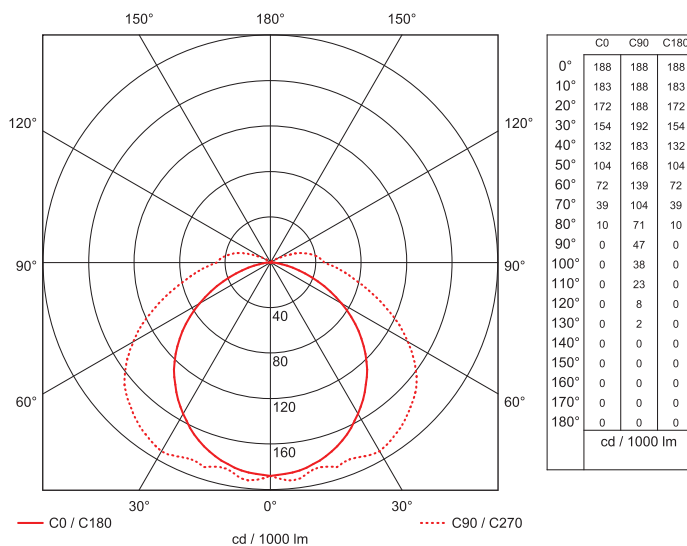


To supply and install TamLite DLVP series of fluorescent fixtures as specified. The luminaire shall operate from either 120V, 277V, or 347VAC and use high efficiency electronic ballasts. The housing and lens shall be constructed of a polycarbonate with a clamp down clear Makrolon® polycarbonate lens. The fixture shall be IP65 rated and include an IP66 strain relief. A durable formed gasket shall be provided between the enclosure and the lens. The fixture shall be made of highly specular material and contoured to maximize light output efficiency. All parts shall be corrosion resistant. Lamps shall be as specified, linear fluorescent lamps up to a maximum of the rated lamp wattage on the fixture nameplate. The lamps shall not be supplied with the luminaire. The fixture shall be c-UL-us approved.



PERFORMANCE SPECIFICATIONS

FIG. 1 - Luminance Distribution Chart



Environmental Rating: IP65
Certification Standards: cULus
Limited Product Warranty: 1 Year
Anti-Corrosion Warranty: 1 Year
Operating Temp: 0°F/-18°C

CONTRACTOR:	
PROJECT:	DATE:
PREPARED BY:	MODEL#: DLVP217

RECOMMENDED LAMP SPECIFICATION *not included

Lamp: Fusion FF17/T8
Wattage: 17W
Average Life: 24,000 Hrs

Lamp Type: T8 Linear Fluorescent
CRI: 85

Quantity: 2
Delivered Lumens: 1,450 Lumens

ELECTRICAL SPECIFICATIONS

Input Voltage: 120,277VAC
Lamp Type: Linear Fluorescent
Ballast: Fusion FB232MVE

Fixture Draw: 33W
Lamp Style: T8
Ballast Type: Electronic

Max Lamp Wattage: 17W
Lamp Base: G13
Ballast Warranty: 5 Years

FB232MVE

Lamp Type	Rated Lamp Watts	Min. Start Temp. (°F/°C)	Input Current (Amps) @120/277V	Input Power (Watts)	Ballast Factor	Max THD%	Power Factor	Max L.C.C.F
F17T8	17W	0°F/-18°C	0.28/0.12	33W	0.95	10	0.99	1.7

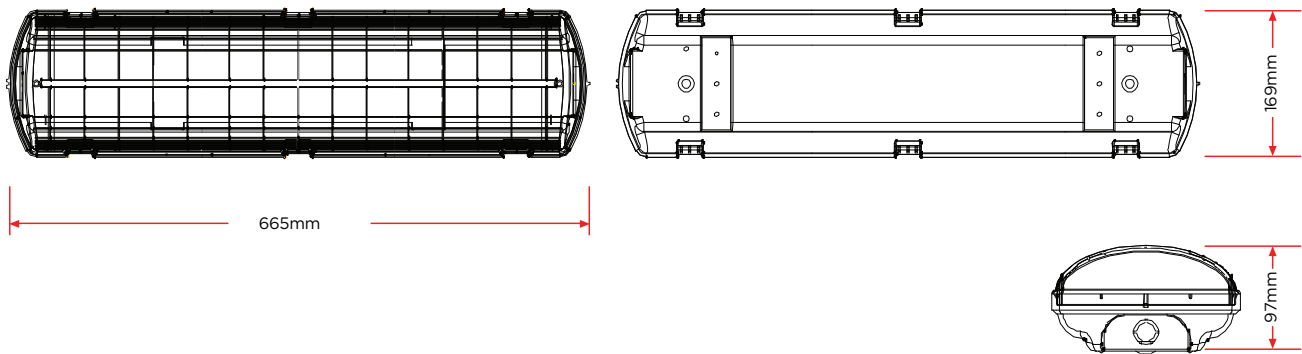
PHYSICAL SPECIFICATIONS

Colour(s): Grey
Knockouts: PG16 Cable Gland (included)
Mounting: Mounting Clip (included)

Housing Material: UV stabilized polycarbonate
Lens Material: Impact-Resistant UV Stabilized Polycarbonate

Lens Type: Clear
Reflector Material: Aluminum

LINE DRAWING



ORDERING INFORMATION

Part Number: DLVP217
Carton Quantity: 1

Shipping Length: 26.75" - 680mm
Shipping Width: 6.75" - 172mm

Shipping Height: 4" - 102mm
Shipping Weight: 4.8 lbs - 2.2 kg

Optional Extras: DLVPSD2 (Spare 2' Diffuser), DVLPS2C (10pk Stainless Steel Clips)