

CONTRACTOR:	
PROJECT:	DATE:
PREPARED BY:	MODEL#: DLWPMED15LED-347V

SERIES SPECIFICATIONS



To supply and install TamLite DLWP Series of outdoor LED fixtures as specified. The luminaire shall operate at 347VAC and use a CREE® Approved Driver. The housing shall be constructed of powder-coated aluminum with a bolt-on case to allow for replacement access, and a tempered glass lens. A durable formed gasket shall be provided between the enclosure and the lens. The reflector shall be made of highly specular material and contoured to maximize light output efficiency. All parts shall be corrosion resistant. LEDs shall be as specified, CREE® XT-E LED Chips. The LEDs shall be supplied with the luminaire. The fixture shall be c-UL-us approved.



PERFORMANCE SPECIFICATIONS

FIG.1 - Luminance Distribution Chart

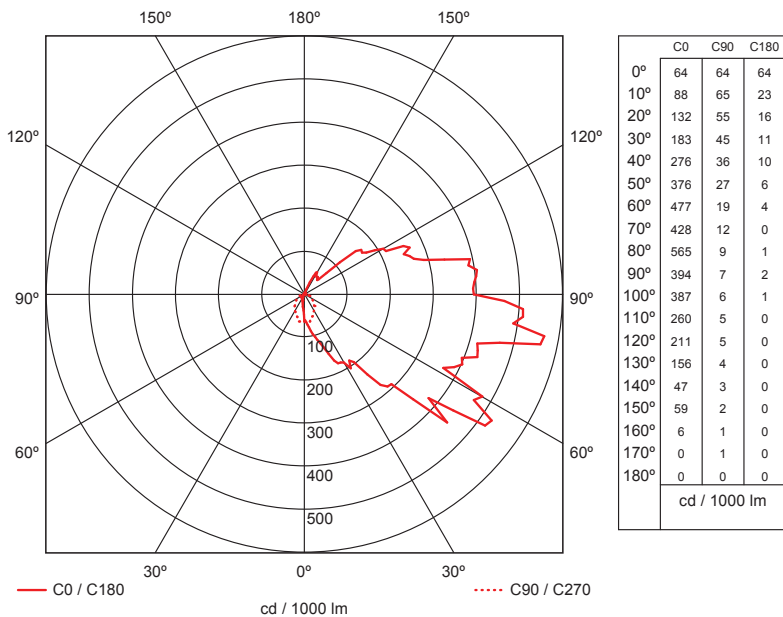


FIG.2.1 - Zonal Lumen Summary

ZONE	LUMENS	%LUMINAIRE
0-30	120.1	5.5
0-40	228.2	10.4
0-60	649.8	29.5
60-90	858.1	39.0
0-90	1508	68.5
90-180	693.7	31.5
0-180	2202	100.0

Environmental Rating: Wet Location Listed

BUG Rating: B0-U3-G2

Certification Standards: cULus

Anti-Corrosion Warranty: 5 Years

Limited Product Warranty: 3 Years

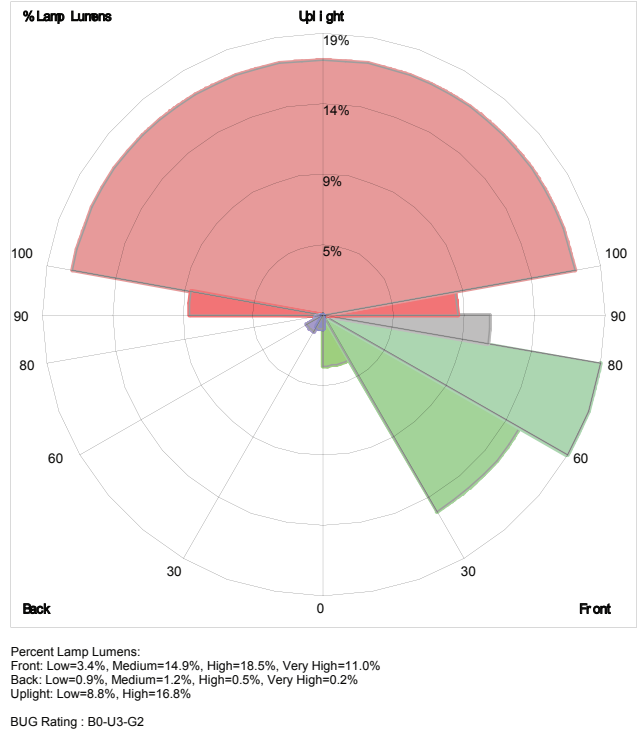
CONTRACTOR:	
PROJECT:	DATE:
PREPARED BY:	MODEL#: DLWPMED15LED-347V

LED SPECIFICATIONS

FIG.2.2 - Zonal Lumen Summary

ZONE	LUMENS	%LUMINAIRE
0-10	11.8	0.5
10-20	36.9	1.7
20-30	71.3	3.2
30-40	108.2	4.9
40-50	166.4	7.6
50-60	255.2	11.6
60-70	266.0	12.1
70-80	290.7	13.2
80-90	301.3	13.7
90-100	233.7	10.6
100-110	176.1	8.0
110-120	132.6	6.0
120-130	88.9	4.0
130-140	35.3	1.6
140-150	19.6	0.9
150-160	7.2	0.3
160-170	0.2	0.0
170-180	0.0	0.0

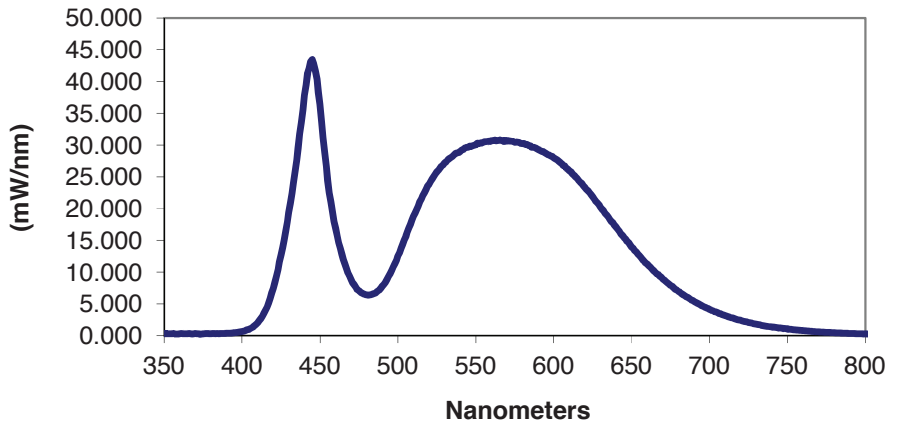
FIG.3 - LCS Graph



LED SPECIFICATIONS

LED Chip: CREE® XT-E
LED Type: Constant Current LED
CRI: 75
Average Life: 54,400 hrs
Delivered Lumens: 2187 lm
Colour Temperature: 4799 K
Tj MAX: 150°C
Efficacy: 56.92 lm/W
Duv: 0.002
R9: -7.80
Chromaticity: x = 0.352; y = 0.361
Photocell: Extra

FIG.4 - Spectral Distribution Chart



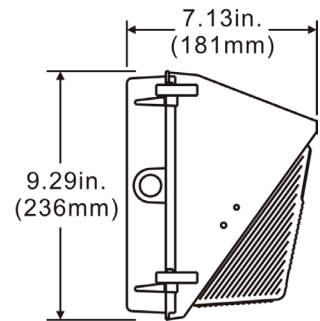
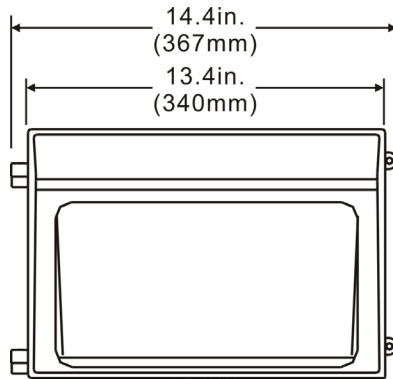
CONTRACTOR:	
PROJECT:	DATE:
PREPARED BY:	MODEL#: DLWPMED15LED-347V

ELECTRICAL SPECIFICATIONS

Voltage: 347VAC **Lamp Type:** Constant Current LED **Driver:** CREE® Approved Driver
Fixture Draw: 38.42W **Current Draw:** 0.111A

PHYSICAL SPECIFICATIONS

Colour(s): Architectural Bronze Finish
Finish Type: Powder Coat over Chromate Conversion Coat
Knockouts: 1/2" NPT Coin Plugs
Mounting: Drill-Out Mounting Holes
Housing Material: Die Cast Aluminum
Lens Material: Tempered Borosilicate Glass
Lens Type: Prismatic
Reflector Material: Aluminum



ORDERING INFORMATION

Part Number: DLWPMED15LED-347V

Inner Package Quantity: 1	Shipping Length: 390.53mm - 15.375"	Shipping Height: 304.8mm - 12"
	Shipping Width: 241.3mm - 9.5"	Shipping Weight: 12lbs. - 5.45kg