

CONTRACTOR:	
PROJECT:	DATE:
PREPARED BY:	MODEL#: GWP1205K-UNV-BZ

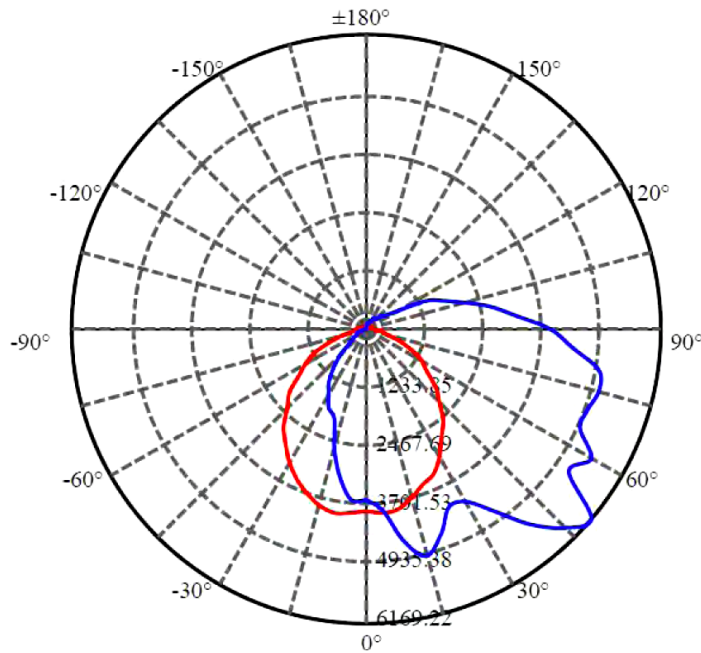
SERIES SPECIFICATIONS

To supply and install TamLite GWP series of LED fixtures as specified.



PERFORMANCE SPECIFICATIONS

FIG. 1 - Luminance Distribution Chart



C0/C180: —

C90/C270: —

Field angle(10%Imax):C0/180Left:69.0 Right:86.7

:C90/270Left:98.1 Right:71.7

Beam Angle(50%Imax):C0/180Left:41.7 Right:58.5

:C90/270Left:60.6 Right:45.5

CONTRACTOR:	
PROJECT:	DATE:
PREPARED BY:	MODEL#: GWP1205K-UNV-BZ

PERFORMANCE SPECIFICATIONS

Initial Lumen Output: 16947.68 lm
Efficacy: 140.4 lm/W
Operating Temp: -20°C to 40°C

Environmental Rating: IP65
UL Classification: Wet Location
Certification Standards: cETLus, RoHS

Anti-Corrosion Warranty: 5 Years
Limited Product Warranty: 5 Years

LED SPECIFICATIONS

CRI: 80.4
Colour Temperature: 4839K
Chromaticity: x=0.3513; y=0.3681

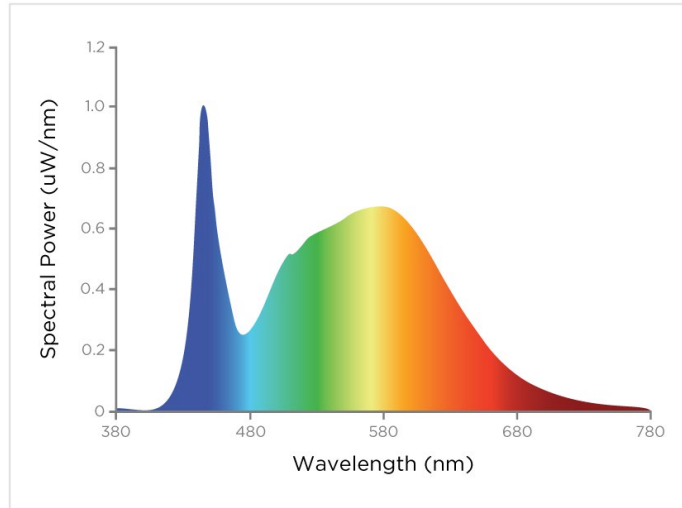
Duv: 0.00568
R9: -5

L₉₀: >54,000 hrs
Dimming: 0-10V

FIG. 3 - R Table

R1	77	R6	81	R11	76
R2	87	R7	86	R12	51
R3	94	R8	62	R13	81
R4	78	R9	-5	R14	96
R5	77	R10	69	R15	71

FIG. 4 - Spectral Power Distribution



ELECTRICAL SPECIFICATIONS

Voltage: 120-277VAC
Frequency: 60Hz

Current Draw: 1.008A
Fixture Draw: 120.71W

Power Factor: 0.998

PHYSICAL SPECIFICATIONS

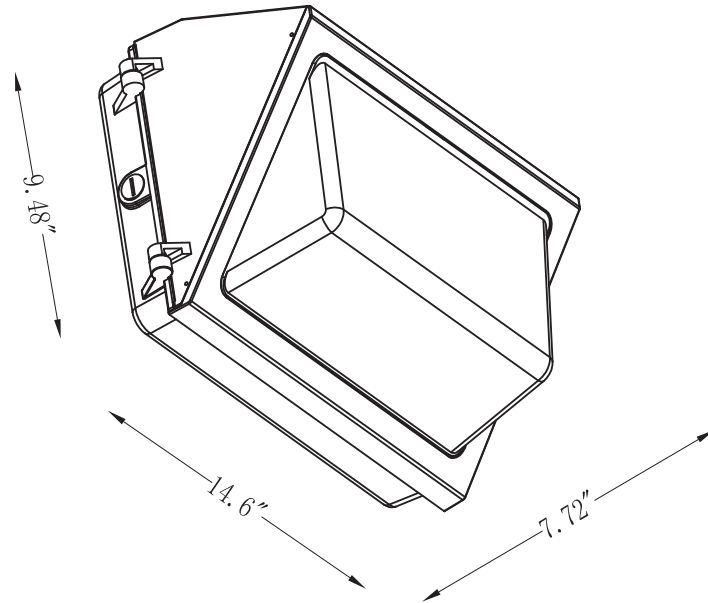
Colour(s): Bronze, Black, White
Finished Type: Textured Powder Coat over Chromate Conversion Coat

Housing Material: ADC12 Aluminum
Lens Material: Tempered Borosilicate Glass

Mounting: Wall Mount
Wiring: 5 x 1/2" Conduit Entry

CONTRACTOR:	
PROJECT:	DATE:
PREPARED BY:	MODEL#: GWP1205K-UNV-BZ

LINE DRAWING



ORDERING INFORMATION

Part Number: GWP1205K-UNV-BZ

Box Quantity: 1

Box Length: 370mm (14.6")

Box Height: 205mm (8.1")

Box Width: 245mm (9.6")

Carton Quantity: 4

Carton Length: 510mm (20.1")

Carton Height: 430mm (17")

Carton Width: 385mm (15.2")

Optional Extras: Cutoff Shield