

CONTRACTOR:	
PROJECT:	DATE:
PREPARED BY:	MODEL#: GWP405K-347V-BZ

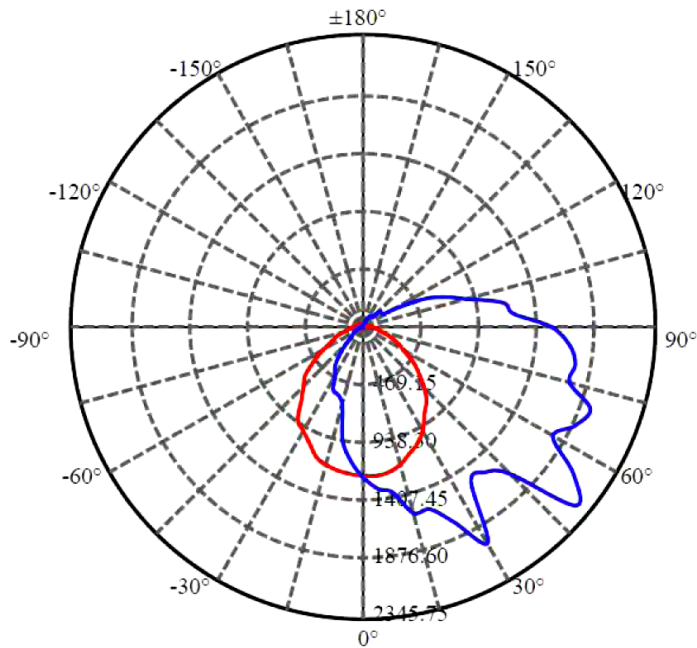
## SERIES SPECIFICATIONS

To supply and install TamLite GWP series of LED fixtures as specified.



## PERFORMANCE SPECIFICATIONS

FIG. 1 - Luminance Distribution Chart



C0/C180: ———

C90/C270: ———

Field angle(10%Imax):C0/180Left:82.6 Right:72.7

:C90/270Left:92.6 Right:73.7

Beam Angle(50%Imax):C0/180Left:55.1 Right:44.2

:C90/270Left:54.2 Right:50.3

<b>CONTRACTOR:</b>	
<b>PROJECT:</b>	<b>DATE:</b>
<b>PREPARED BY:</b>	<b>MODEL#:</b> GWP405K-347V-BZ

## PERFORMANCE SPECIFICATIONS

**Initial Lumen Output:** 5645.47 lm  
**Efficacy:** 138.2 lm/W  
**Operating Temp:** -20°C to 40°C

**Environmental Rating:** IP65  
**UL Classification:** Wet Location  
**Certification Standards:** cETLus, RoHS

**Anti-Corrosion Warranty:** 5 Years  
**Limited Product Warranty:** 5 Years

## LED SPECIFICATIONS

**CRI:** 81.0  
**Colour Temperature:** 4810K  
**Chromaticity:** x=0.3521; y=0.3678

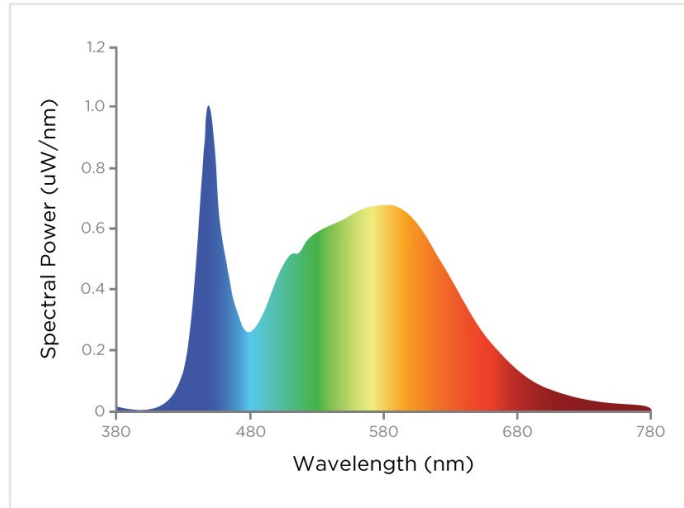
**Duv:** 0.00525  
**R9:** -3

**L<sub>90</sub>:** >54,000 hrs  
**Dimming:** 0-10V

FIG. 3 - R Table

<b>R1</b>	78	<b>R6</b>	82	<b>R11</b>	77
<b>R2</b>	87	<b>R7</b>	87	<b>R12</b>	53
<b>R3</b>	94	<b>R8</b>	63	<b>R13</b>	81
<b>R4</b>	79	<b>R9</b>	-3	<b>R14</b>	96
<b>R5</b>	78	<b>R10</b>	70	<b>R15</b>	72

FIG. 4 - Spectral Power Distribution



## ELECTRICAL SPECIFICATIONS

**Voltage:** 347VAC  
**Frequency:** 60Hz

**Current Draw:** 0.118A  
**Fixture Draw:** 40.85W

**Power Factor:** 0.987

## PHYSICAL SPECIFICATIONS

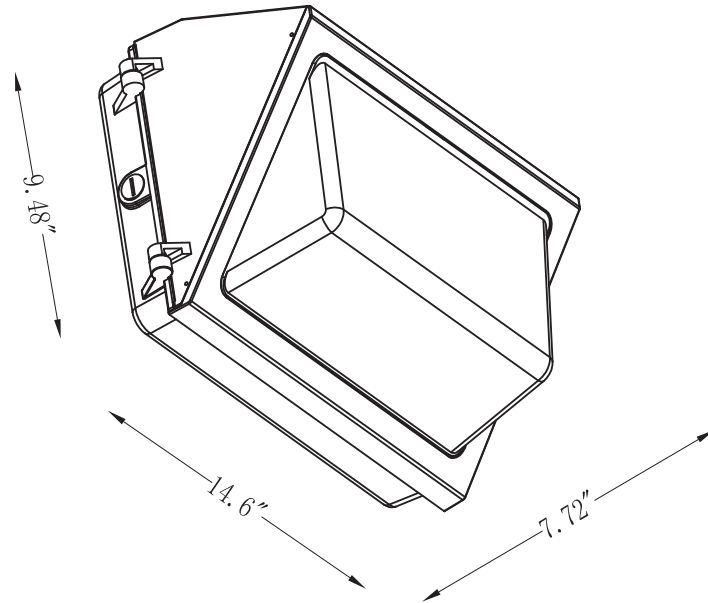
**Colour(s):** Bronze, Black, White  
**Finished Type:** Textured Powder Coat over Chromate Conversion Coat

**Housing Material:** ADC12 Aluminum  
**Lens Material:** Tempered Borosilicate Glass

**Mounting:** Wall Mount  
**Wiring:** 5 x 1/2" Conduit Entry

CONTRACTOR:	
PROJECT:	DATE:
PREPARED BY:	MODEL#: GWP405K-347V-BZ

## LINE DRAWING



## ORDERING INFORMATION

**Part Number:** GWP405K-347V-BZ

**Box Quantity:** 1

**Box Length:** 370mm (14.6")

**Box Height:** 205mm (8.1")

**Box Width:** 245mm (9.6")

**Carton Quantity:** 4

**Carton Length:** 510mm (20.1")

**Carton Height:** 430mm (17")

**Carton Width:** 385mm (15.2")

**Optional Extras:** Cutoff Shield