

CONTRACTOR:		DATE:
PROJECT:		MODEL#: INDI4832D
PREPARED BY:		

SERIES SPECIFICATIONS

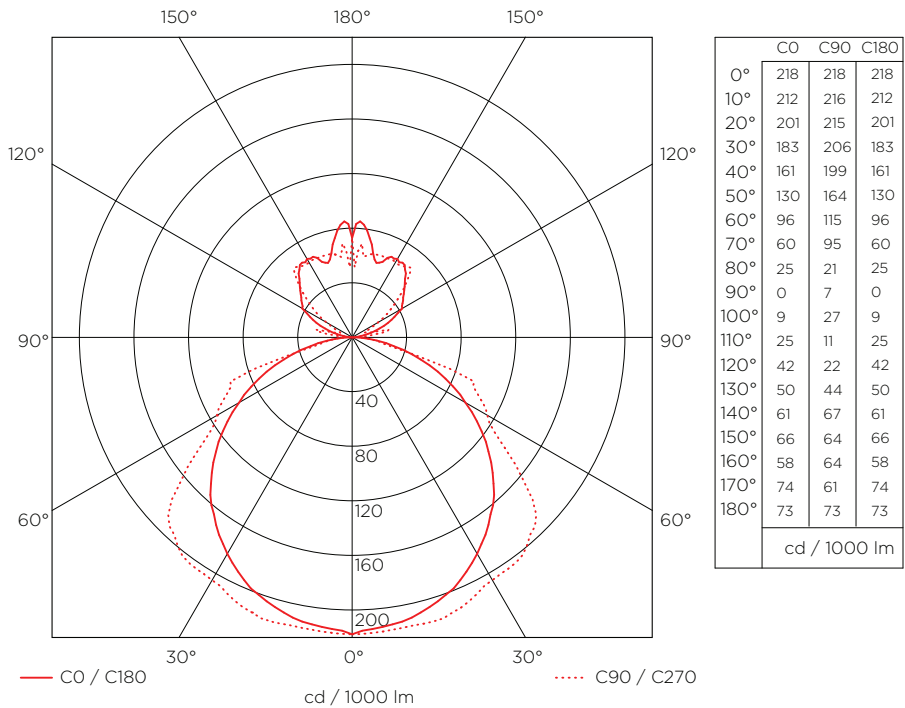


To supply and install TamLite INDI series of Industrial Strip fixtures as specified. The luminaire shall operate at 120 - 277VAC and use high efficiency American® electronic ballasts. The housing shall be constructed of powder-coated steel. The reflector shall be made of glossy white painted powder coated steel and contoured to maximize light output efficiency. Lamps shall be as specified, linear fluorescent lamps up to a maximum of the rated lamp wattage on the fixture nameplate. The lamps shall not be supplied with the fixture. The fixture shall be c-UL-us approved.



PERFORMANCE SPECIFICATIONS

FIG.1 - Luminance Distribution Chart



Certification Standards: cULus
Limited Product Warranty: 1 Year
Operating Temp: -20°F / -29°C
Spacing Criteria: 1.26 (C0/180);
 1.26 (C90/270)
Environmental Rating: IP44
UL Classification: Damp Location
 Listed

CONTRACTOR:	
PROJECT:	DATE:
PREPARED BY:	MODEL#: INDI4832D

RECOMMENDED LAMP SPECIFICATIONS (NOT INCLUDED)

Lamp: Fusion FF32/T8	Wattage: 32W	CCT: 3000K, 3500K, 4100K, 5000K & 6500K
Lamp Type: T8 Linear Fluorescent	CRI: 85+	Average Life: 24,000 hrs
Quantity: 4	Delivered Lumens: 3,050 lumens	

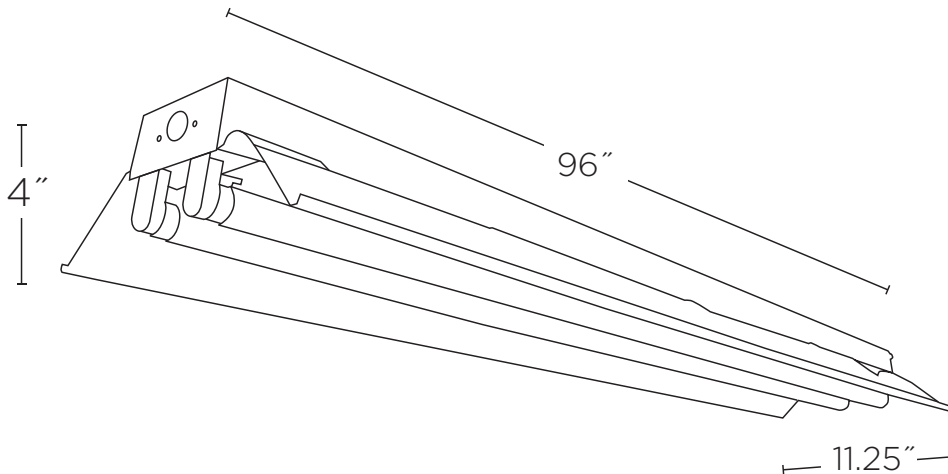
ELECTRICAL SPECIFICATIONS

Input Voltage: 120-277VAC	Lamp Type: Linear Fluorescent	Ballast: American AB2-32-IP-UNV-1
Fixture Draw: 56W	Lamp Style: T8	Ballast Type: Electronic
Max Lamp Wattage: 32W	Lamp Base: G13	Ballast Warranty: 5 Years

Ballast Information

Lamp Type	Rated Lamp Watts	Min. Start Temp. (°F / °C)	Input Current (Amps) @120/277V	Input Power (Watts)	Ballast Factor	Max THD%	Power Factor	Ballast Efficacy Factor
F32T8	32W	-20°F / -29°C	0.47/0.21	56	0.89	<10	0.98	1.59

LINE DRAWING





CONTRACTOR:	
PROJECT:	DATE:
PREPARED BY:	MODEL#: INDI4832D

PHYSICAL SPECIFICATIONS

Colour: White

Housing Material: Hot-dipped Powder
Coated Galvanized
Steel

Reflector Material: White Powder
coated Steel

ORDERING INFORMATION

Part Number: INDI2432D

Shipping Length: 1219.2mm / 48"

Shipping Width: 285.75mm / 11.25"

Shipping Height: 101.6mm / 4"

Optional Extras: ACSLWX4WG (4FT Wire Guard)