

| | |
|---------------------|--------------------------------|
| CONTRACTOR: | |
| PROJECT: | DATE: |
| PREPARED BY: | MODEL#: RBFLED1005KX-YY |

SERIES SPECIFICATIONS



To supply and install TamLite RBF series of LED fixtures as specified. The luminaire shall operate at 120VAC to 277VAC and use a constant current type driver. The housing shall be constructed of powder-coated die-cast aluminum with a screw down rear wiring compartment with pre-fitted IP68 stainless steel strain relief, and an impact resistant tempered glass lens. A durable formed gasket shall be provided between the enclosure and the lens, and the wiring compartment and housing. The reflector shall be made of highly specular material and contoured to maximize light output efficiency. All parts shall be corrosion resistant. LEDs shall be as specified, CREE® CXB2530 LED Chips. The LEDs shall be supplied with the luminaire. The fixture shall be c-UL-us approved.



PERFORMANCE SPECIFICATIONS

FIG. 1 - Luminance Distribution Chart

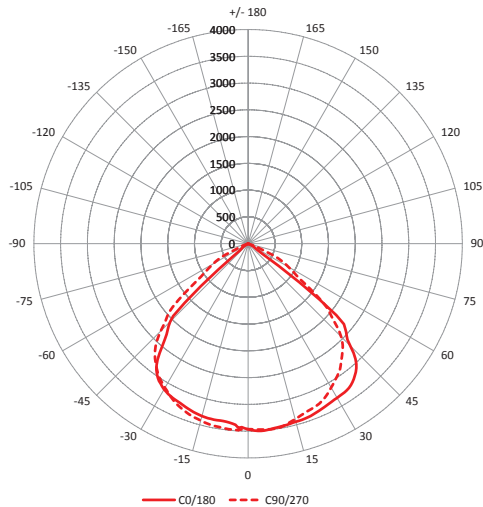


FIG. 2 - Zonal Lumen Summary

| ZONE | %TOTAL |
|-------|--------|
| 0-10 | 4.4% |
| 10-20 | 12.7% |
| 20-30 | 19.4% |
| 30-40 | 23.7% |
| 40-50 | 23.4% |
| 50-60 | 13.2% |
| 60-70 | 2.7% |
| 70-80 | 0.3% |
| 80-90 | 0.0% |

| ZONE | %TOTAL |
|---------|--------|
| 90-100 | 0.0% |
| 100-110 | 0.0% |
| 110-120 | 0.0% |
| 120-130 | 0.0% |
| 130-140 | 0.0% |
| 140-150 | 0.0% |
| 150-160 | 0.0% |
| 160-170 | 0.0% |
| 170-180 | 0.0% |

Initial Lumen Output - 10057.0 lm
Certification Standards: cULus
Limited Product Warranty: 5 Years
Anti-Corrosion Warranty: 5 Years
Operating Temp: -40°C to +40°C
Spacing Criteria: 1.33 (C0/180); 1.32 (C90/270)

Efficacy - 104.41 lm/W
Environmental Rating: IP65
Luminaire Type - Type II Short
Average Life: L70>36,300 hrs

ELECTRICAL SPECIFICATIONS

Voltage: 120-277VAC
Frequency: 50/60 Hz
Driver: Towner

Current Draw: 0.8027A @120VAC
Power Factor: 0.9453
Fixture Draw: 96.32W

THD%: 13.53%

| | |
|--------------|-------------------------|
| CONTRACTOR: | |
| PROJECT: | DATE: |
| PREPARED BY: | MODEL#: RBFLED1005KX-YY |

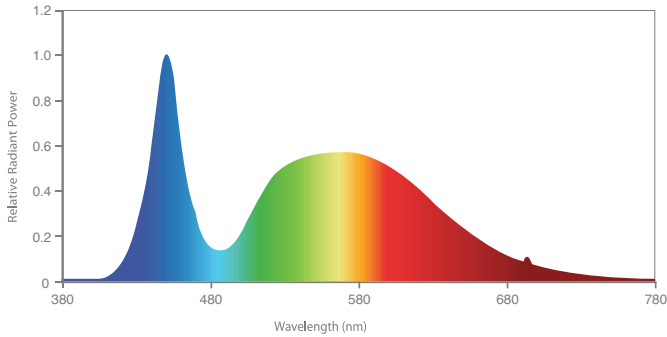
LED SPECIFICATIONS

LED Chip: CREE® CXB2530
LED Type: COB

CRI: 81.5
Colour Temperature: 5000K

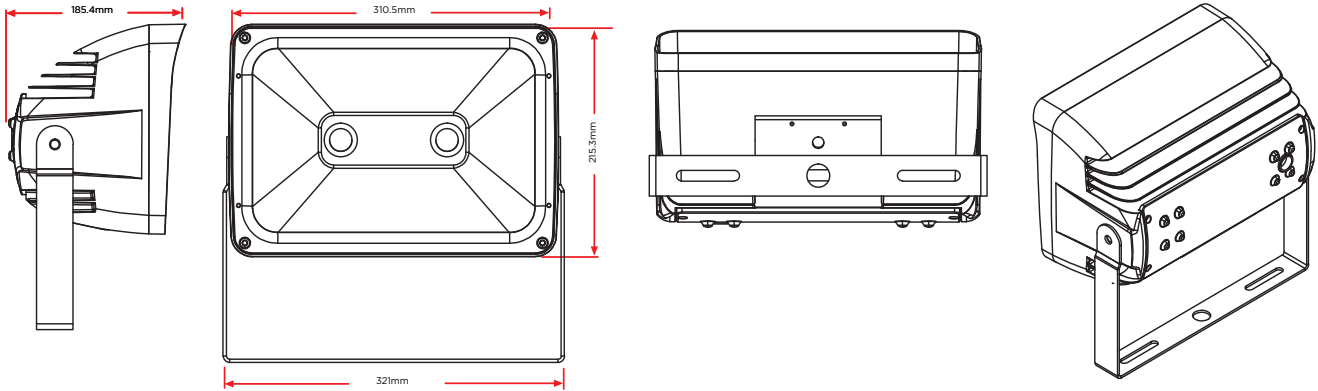
Average Life: L70(6k)>36,300 hrs
Chromaticity: x=0.3373;y=0.3426

FIG. 3 - Spectral Power Distribution

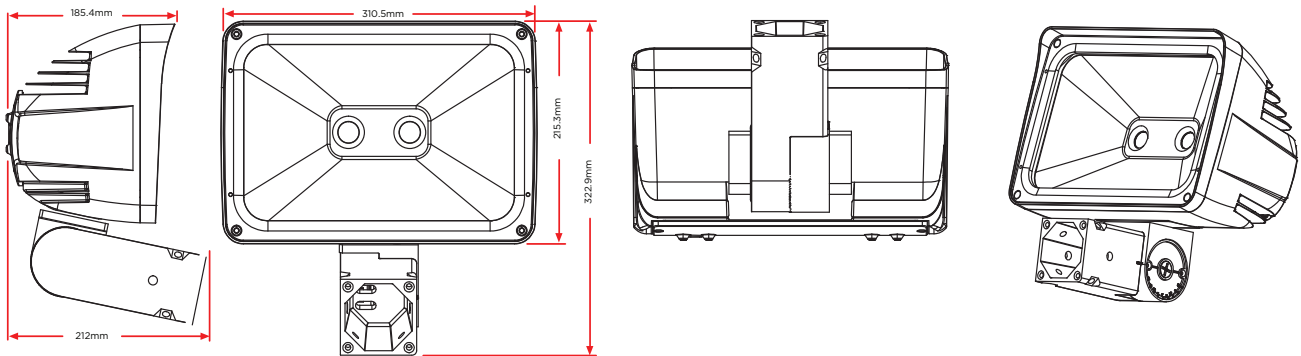


LINE DRAWING

Yoke Mounting Option



Slip Fitter Mounting Option





| | |
|---------------------|--------------------------------|
| CONTRACTOR: | |
| PROJECT: | DATE: |
| PREPARED BY: | MODEL#: RBFLED1005KX-YY |

PHYSICAL SPECIFICATIONS

Colour(s): Architectural Bronze
Finished Type: Textured Powder
Coat over Chromate Conversion Coat

Wiring: 6' 18/3 SJTW Cord Whip
Housing Material: Die-Cast Aluminum
Mounting: Yoke Mount & Slip Fitter
Mount

Reflector Material: Specular Aluminum
Lens Material: Tempered Glass
Lens Type: Clear

ORDERING INFORMATION

Yoke Mount: RBFLED1005KY-BZ

Slip Fitter Mount: RBFLED1005KS-BZ

Carton Quantity: 1
Carton Weight: 17.15 lbs - 7.78 kg

Carton Length: 370mm - 14.56"
Carton Width: 370mm - 14.56"

Carton Height: 255mm - 10.03"