

|                     |                               |
|---------------------|-------------------------------|
| <b>CONTRACTOR:</b>  |                               |
| <b>PROJECT:</b>     | <b>DATE:</b>                  |
| <b>PREPARED BY:</b> | <b>MODEL#:</b> RBFLED103KX-YY |

## SERIES SPECIFICATIONS



To supply and install TamLite RBF series of LED fixtures as specified. The luminaire shall operate at 120VAC to 277VAC and use a constant current type driver. The housing shall be constructed of powder-coated die-cast aluminum with a screw down rear wiring compartment with pre-fitted IP68 stainless steel strain relief, and an impact resistant tempered glass lens. A durable formed gasket shall be provided between the enclosure and the lens, and the wiring compartment and housing. The reflector shall be made of highly specular material and contoured to maximize light output efficiency. All parts shall be corrosion resistant. LEDs shall be as specified, CREE® CXB1512 LED Chips. The LEDs shall be supplied with the luminaire. The fixture shall be c-UL-us approved.



## PERFORMANCE SPECIFICATIONS

FIG. 1 - Luminance Distribution Chart

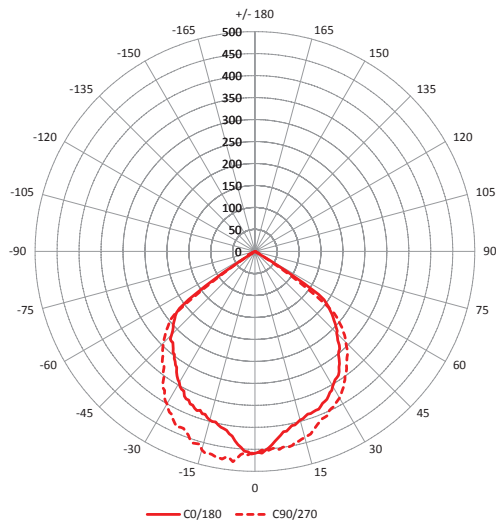


FIG. 2 - Zonal Lumen Summary

| ZONE  | %TOTAL |
|-------|--------|
| 0-10  | 4.5%   |
| 10-20 | 12.3%  |
| 20-30 | 19.0%  |
| 30-40 | 23.1%  |
| 40-50 | 23.2%  |
| 50-60 | 15.9%  |
| 60-70 | 1.9%   |
| 70-80 | 0.1%   |
| 80-90 | 0.0%   |

| ZONE    | %TOTAL |
|---------|--------|
| 90-100  | 0.0%   |
| 100-110 | 0.0%   |
| 110-120 | 0.0%   |
| 120-130 | 0.0%   |
| 130-140 | 0.0%   |
| 140-150 | 0.0%   |
| 150-160 | 0.0%   |
| 160-170 | 0.0%   |
| 170-180 | 0.0%   |

**Initial Lumen Output:** 1037.6 lm  
**Certification Standards:** cULus  
**Limited Product Warranty:** 5 Years  
**Anti-Corrosion Warranty:** 5 Years  
**Operating Temp:** -40°C to 40°C

**Efficacy:** 100.45 lm/W  
**Environmental Rating:** IP65  
**Luminaire Type -** Type II Short

## ELECTRICAL SPECIFICATIONS

**Voltage:** 120-277VAC  
**Frequency:** 50/60 Hz  
**Driver:** Toinv

**Current Draw:** 0.0861A @120VAC  
**Power Factor:** 0.9086  
**Fixture Draw:** 10.33W

**THD%:** 12.46%

|                     |  |                               |
|---------------------|--|-------------------------------|
| <b>CONTRACTOR:</b>  |  | <b>DATE:</b>                  |
| <b>PROJECT:</b>     |  | <b>MODEL#:</b> RBFLED103KX-YY |
| <b>PREPARED BY:</b> |  |                               |

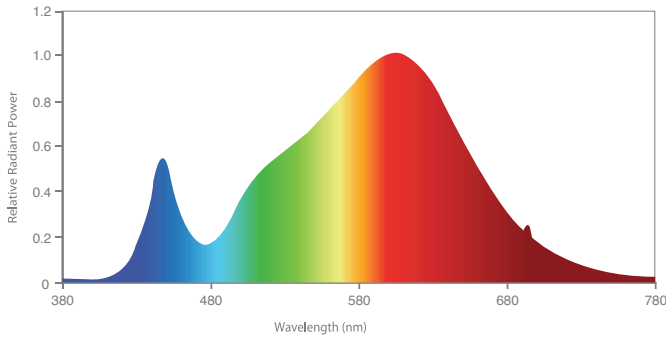
## LED SPECIFICATIONS

**LED Chip:** CREE® CXB1512  
**LED Type:** COB

**CRI:** 83.9  
**Colour Temperature:** 3015K

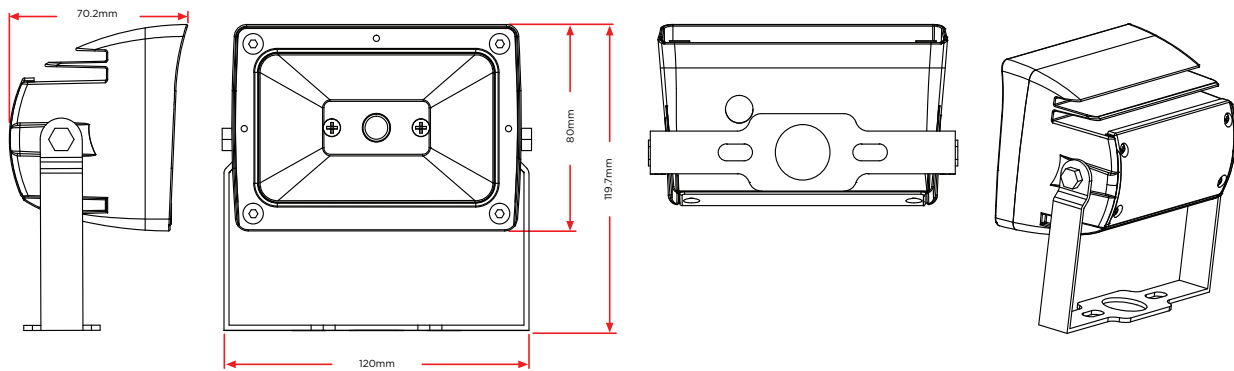
**Average Life:** L70(6k)>36,300 hrs  
**Chromaticity:** x=0.4344; y=0.4095

**FIG. 3 - Spectral Power Distribution**

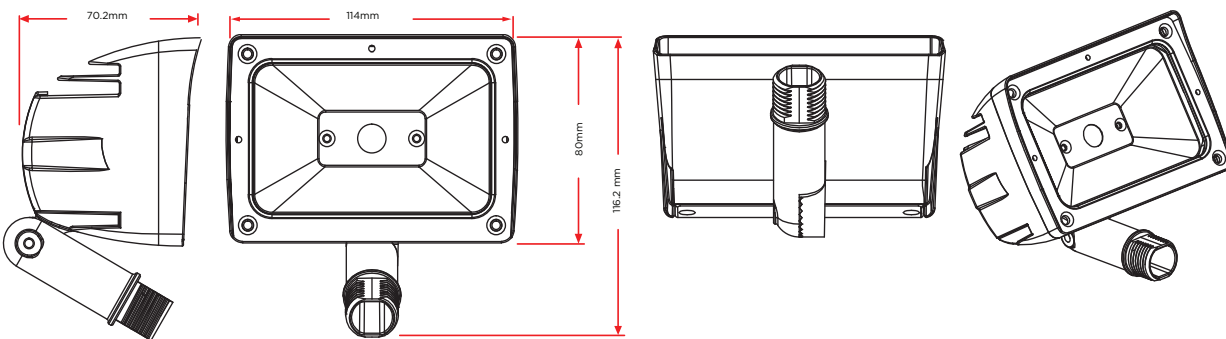


## LINE DRAWING

### Yoke Mounting Option



### Knuckle Mounting Option



|                     |                               |
|---------------------|-------------------------------|
| <b>CONTRACTOR:</b>  |                               |
| <b>PROJECT:</b>     | <b>DATE:</b>                  |
| <b>PREPARED BY:</b> | <b>MODEL#:</b> RBFLED103KX-YY |

## PHYSICAL SPECIFICATIONS

**Colour(s):** Architectural Bronze  
**Finished Type:** Textured Powder  
 Coat over Chromate Conversion Coat

**Wiring:** 6' 18/3 SJTW Cord Whip  
**Housing Material:** Die-Cast Aluminum  
**Mounting:** Yoke Mount, Knuckle Mount  
 & Box Cover

**Reflector Material:** Specular Aluminum  
**Lens Material:** Tempered Glass  
**Lens Type:** Clear

## ORDERING INFORMATION

**Yoke Mount:** RBFLED103KY-BZ

**Knuckle Mount:** RBFLED103KK-BZ

**Inner Carton Quantity:** 8  
**Inner Carton Weight:** 2.2 lbs - 1 kg

**Inner Carton Length:** 145mm - 5.7"  
**Inner Carton Width:** 130mm - 5.12"

**Inner Carton Height:** 118mm - 4.64"

**Outer Carton Length:** 310mm - 12.2"  
**Outer Carton Weight:** 19.8 lbs - 9 kg

**Outer Carton Width:** 280mm - 11.02"

**Outer Carton Height:** 256mm - 10.07"

**Optional Extras:** RBFLED-GN-BZ (Goose Neck)