

CONTRACTOR:	
PROJECT:	DATE:
PREPARED BY:	MODEL#: RBFLED105KX-YY

SERIES SPECIFICATIONS



To supply and install TamLite RBF series of LED fixtures as specified. The luminaire shall operate at 120VAC to 277VAC and use a constant current type driver. The housing shall be constructed of powder-coated die-cast aluminum with a screw down rear wiring compartment with pre-fitted IP68 stainless steel strain relief, and an impact resistant tempered glass lens. A durable formed gasket shall be provided between the enclosure and the lens, and the wiring compartment and housing. The reflector shall be made of highly specular material and contoured to maximize light output efficiency. All parts shall be corrosion resistant. LEDs shall be as specified, CREE® CXB1512 LED Chips. The LEDs shall be supplied with the luminaire. The fixture shall be c-UL-us approved.



PERFORMANCE SPECIFICATIONS

FIG. 1 - Luminance Distribution Chart

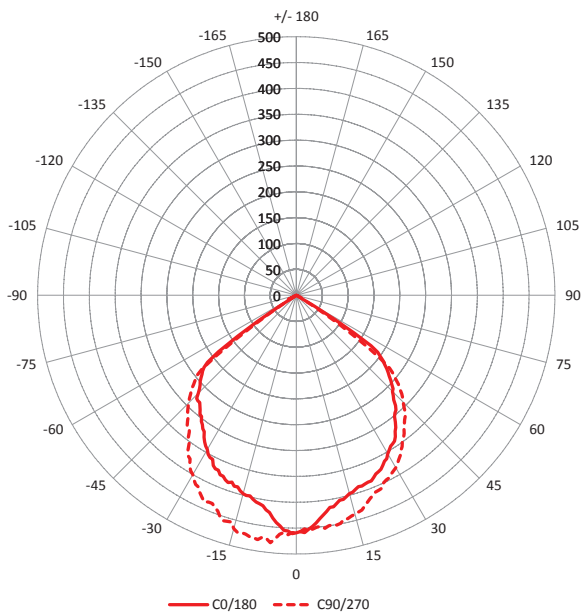


FIG. 2 - Zonal Lumen Summary

ZONE	%TOTAL	ZONE	%TOTAL
0-10	4.5%	90-100	0.0%
10-20	12.3%	100-110	0.0%
20-30	19.0%	110-120	0.0%
30-40	23.1%	120-130	0.0%
40-50	23.2%	130-140	0.0%
50-60	15.9%	140-150	0.0%
60-70	1.9%	150-160	0.0%
70-80	0.1%	160-170	0.0%
80-90	0.0%	170-180	0.0%

Initial Lumen Output: 1124 lm
Efficacy: 112.57 lm/W
Spacing Criteria: 1.24 (C0/180); 1.13 (C90/270)

Anti-Corrosion Warranty: 5 Years
Luminaire Type: Type II Short
Environmental Rating: IP65

Limited Product Warranty: 5 Years
Operating Temp: -40°C to 40°C
Certification Standards: cULus

CONTRACTOR:	
PROJECT:	DATE:
PREPARED BY:	MODEL#: RBFLED105KX-YY

ELECTRICAL SPECIFICATIONS

Voltage: 120-277VAC
Frequency: 50/60 Hz
Driver: Tovin

Current Draw: 0.0959A @120VAC
Power Factor: 0.91
Fixture Draw: 9.99W

THD%: 12.42%

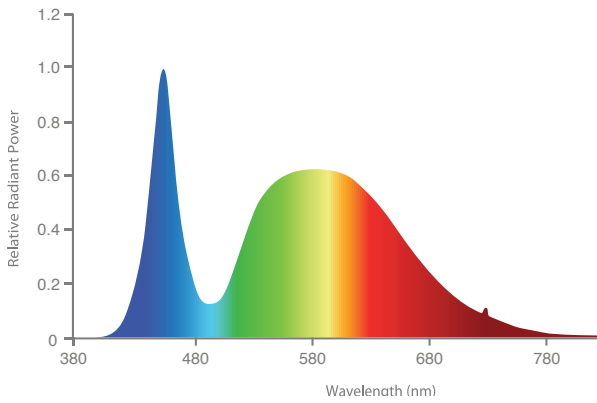
LED SPECIFICATIONS

LED Chip: CREE® CXB1512
LED Type: COB

CRI: 82.8
Colour Temperature: 5000K

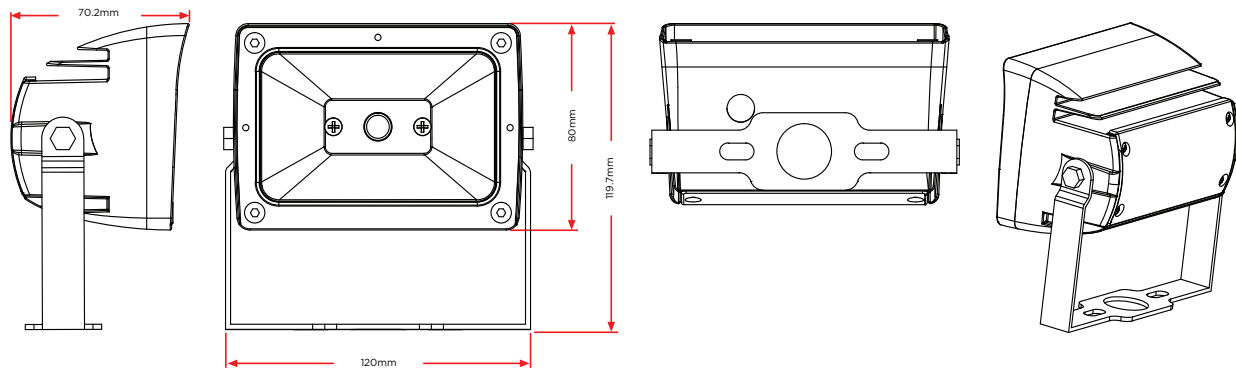
Average Life: L70(6k)>36,300 hrs
Chromaticity: x=0.3452; y=0.356

FIG. 3 - Spectral Power Distribution



LINE DRAWING

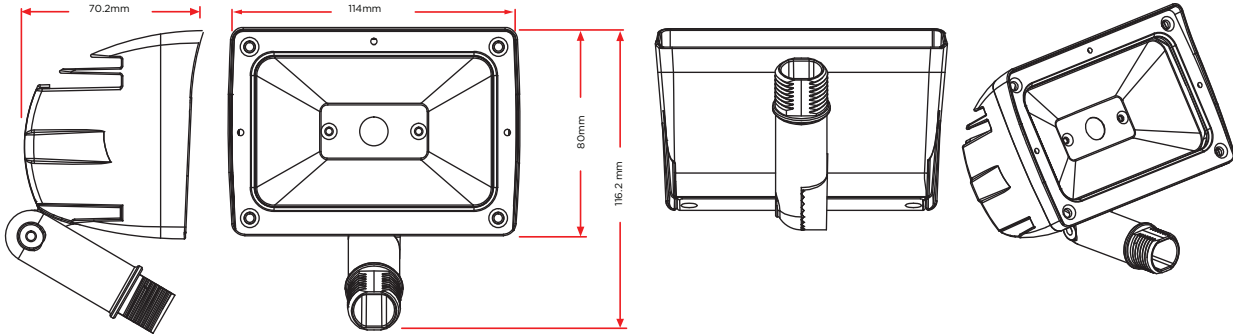
Yoke Mounting Option



CONTRACTOR:	
PROJECT:	DATE:
PREPARED BY:	MODEL#: RBFLED105KX-YY

LINE DRAWING

Knuckle Mounting Option



PHYSICAL SPECIFICATIONS

Colour(s): Architectural Bronze
Finished Type: Textured Powder Coat over Chromate Conversion Coat

Wiring: 6' 18/3 SJTW Cord Whip
Housing Material: Die-Cast Aluminum
Mounting: Yoke Mount, Knuckle Mount & Box Cover

Reflector Material: Specular Aluminum
Lens Material: Tempered Glass
Lens Type: Clear

ORDERING INFORMATION

Yoke Mount: RBFLED105KY-BZ

Knuckle Mount: RBFLED105KK-BZ

Inner Carton Quantity: 1
Inner Carton Weight: 2.2 lbs - 1 kg

Inner Carton Length: 145mm - 5.7"
Inner Carton Width: 130mm - 5.12"

Inner Carton Height: 118mm - 4.64"

Outer Carton Quantity: 8
Outer Carton Weight: 19.8 lbs - 9 kg

Outer Carton Length: 305mm - 12.0"
Outer Carton Width: 275mm - 10.83"

Outer Carton Height: 256mm - 10.07"

Optional Extras: RBFLED-GN-BZ (Goose Neck)