

CONTRACTOR:	
PROJECT:	DATE:
PREPARED BY:	MODEL#: RBFLED303KX-YY

SERIES SPECIFICATIONS



To supply and install TamLite RBF series of LED fixtures as specified. The luminaire shall operate at 120VAC to 277VAC and use a constant current type driver. The housing shall be constructed of powder-coated die-cast aluminum with a screw down rear wiring compartment with pre-fitted IP68 stainless steel strain relief, and an impact resistant tempered glass lens. A durable formed gasket shall be provided between the enclosure and the lens, and the wiring compartment and housing. The reflector shall be made of highly specular material and contoured to maximize light output efficiency. All parts shall be corrosion resistant. LEDs shall be as specified, CREE® CXB1512 LED Chips. The LEDs shall be supplied with the luminaire. The fixture shall be c-UL-us approved.



PERFORMANCE SPECIFICATIONS

FIG. 1 - Luminance Distribution Chart

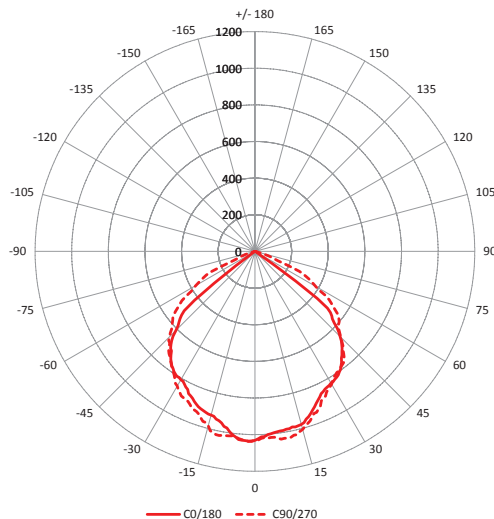


FIG. 2 - Zonal Lumen Summary

ZONE	%TOTAL
0-10	4.3%
10-20	12.2%
20-30	18.0%
30-40	21.6%
40-50	22.2%
50-60	15.5%
60-70	5.3%
70-80	0.7%
80-90	0.1%

ZONE	%TOTAL
90-100	0.0%
100-110	0.0%
110-120	0.0%
120-130	0.0%
130-140	0.0%
140-150	0.0%
150-160	0.0%
160-170	0.0%
170-180	0.0%

Initial Lumen Output - 2922.5 lm
Certification Standards: cULus
Limited Product Warranty: 5 Years
Anti-Corrosion Warranty: 5 Years
Operating Temp: -40°C to 40°C
Spacing Criteria: 1.21 (C0/180); 1.18 (C90/270)

Efficacy - 106.62 lm/W
Environmental Rating: IP65
Luminaire Type - Type II Short

ELECTRICAL SPECIFICATIONS

Voltage: 120-277VAC
Frequency: 50/60 Hz
Driver: Toinv

Current Draw: 0.206A @120VAC
Power Factor: 0.9075
Fixture Draw: 27.41W

THD%: 13.42%

CONTRACTOR:	
PROJECT:	DATE:
PREPARED BY:	MODEL#: RBFLED303KX-YY

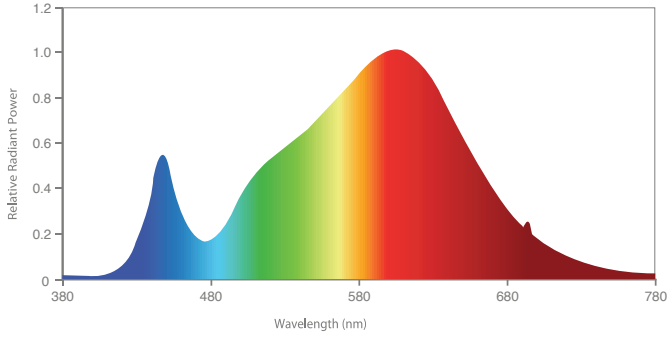
LED SPECIFICATIONS

LED Chip: CREE® CXB1512
LED Type: COB

CRI: 82.9
Colour Temperature: 3015K

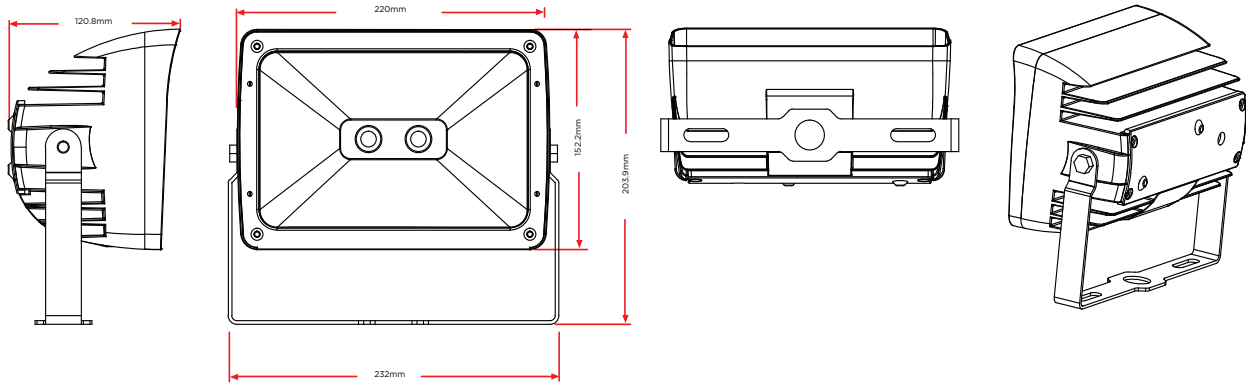
Average Life: L70(6k)>36,300 hrs
Chromaticity: x=0.4313; y=0.4074

FIG. 4 - Spectral Power Distribution

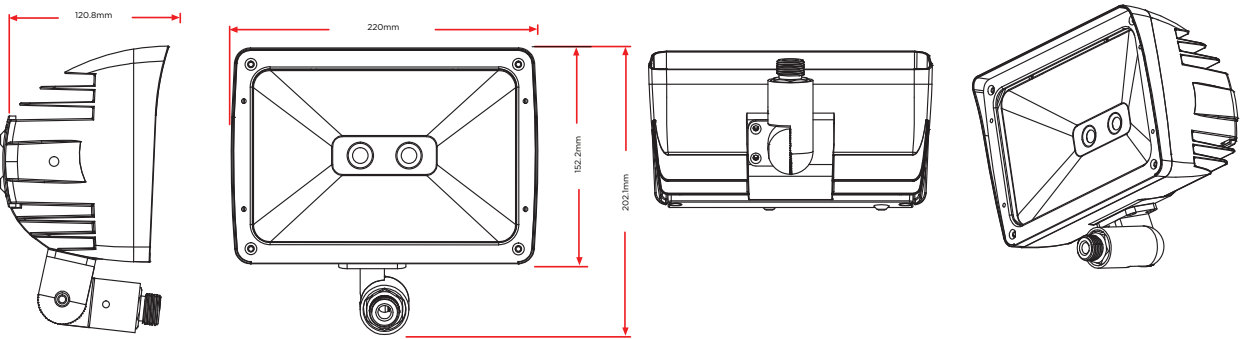


LINE DRAWING

Yoke Mounting Option



Knuckle Mounting Option



CONTRACTOR:	
PROJECT:	DATE:
PREPARED BY:	MODEL#: RBFLED303KX-YY

PHYSICAL SPECIFICATIONS

Colour(s): Architectural Bronze
Finished Type: Textured Powder
 Coat over Chromate Conversion Coat

Wiring: 3 x 1/2" Coin Plugs
Housing Material: Die-Cast Aluminum
Mounting: Yoke Mount & Knuckle
 Mount

Reflector Material: Specular Aluminum
Lens Material: Tempered Glass
Lens Type: Clear

ORDERING INFORMATION

Yoke Mount: RBFLED303KY-BZ

Knuckle Mount: RBFLED303KK-BZ

Inner Carton Quantity: 1
Inner Carton Weight: 5.8 lbs - 2.5 kg

Inner Carton Length: 260mm - 10.24"
Inner Carton Width: 240mm - 9.45"

Inner Carton Height: 160mm - 6.29"

Outer Carton Quantity: 4
Outer Carton Weight: 23.4 lbs - 10.6 kg

Outer Carton Length: 535mm - 21.06"
Outer Carton Width: 495mm - 19.48"

Outer Carton Height: 170mm - 6.7"