

CONTRACTOR:	
PROJECT:	DATE:
PREPARED BY:	MODEL#: RBFLED805KY-XX

SERIES SPECIFICATIONS



To supply and install TamLite RBF series of LED fixtures as specified. The luminaire shall operate at 120VAC to 277VAC and use a constant current type driver. The housing shall be constructed of powder-coated die-cast aluminum with a screw down rear wiring compartment with pre-fitted IP68 stainless steel strain relief, and an impact resistant tempered glass lens. A durable formed gasket shall be provided between the enclosure and the lens, and the wiring compartment and housing. The reflector shall be made of highly specular material and contoured to maximize light output efficiency. All parts shall be corrosion resistant. LEDs shall be as specified, CREE® CXB2530 LED Chips. The LEDs shall be supplied with the luminaire. The fixture shall be c-UL-us approved.



PERFORMANCE SPECIFICATIONS

FIG. 1 - Luminance Distribution Chart

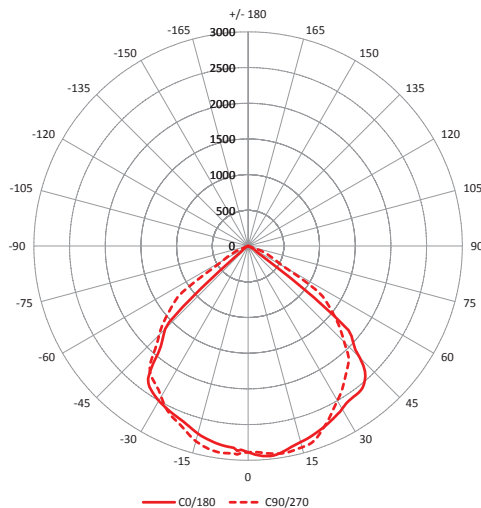


FIG. 2 - Zonal Lumen Summary

ZONE	LUMENS	%TOTAL
0-10	276.4	4.4%
10-20	799.7	12.7%
20-30	1,217.3	19.4%
30-40	1,490.7	23.7%
40-50	1,461.6	23.4%
50-60	826.3	13.2%
60-70	172.1	2.7%
70-80	17.6	0.3%
80-90	3.1	0.0%

ZONE	LUMENS	%TOTAL
90-100	0	0.0%
100-110	0.4	0.0%
110-120	1.4	0.0%
120-130	2.5	0.0%
130-140	3.1	0.0%
140-150	3.1	0.0%
150-160	2.6	0.0%
160-170	1.7	0.0%
170-180	0.7	0.0%

Initial Lumen Output - 6585.6 lm
Certification Standards: cULus
Limited Product Warranty: 5 Years
Anti-Corrosion Warranty: 5 Years
Operating Temp: -40°C to +40°C
Spacing Criteria: 1.28 (C0/180); 1.29 (C90/270)

DUV - 0.0006 (negative)
Efficacy - 83.57 lm/W
Environmental Rating: IP65
Luminaire Type - Type II Short
Average Life: L70>36,300 hrs

ELECTRICAL SPECIFICATIONS

Voltage: 120-277VAC
Frequency: 50/60 Hz
Driver: Towin

Current Draw: 0.6626A @120VAC; 0.3019A @277VAC
Power Factor: 0.9910 @120VAC; 0.9564 @277VAC
Fixture Draw: 78.80W @120VAC; 79.98W @277VAC

THD%: 8.83% @120VAC;
 13.76% @277VAC

CONTRACTOR:	
PROJECT:	DATE:
PREPARED BY:	MODEL#: RBFLED805KY-XX

LED SPECIFICATIONS

LED Chip: CREE® CXA2520

LED Type: COB

Chromaticity: x=0.3399;y=0.3461

CRI: 84.1

R9: 21.0

TJ Max: 105°C

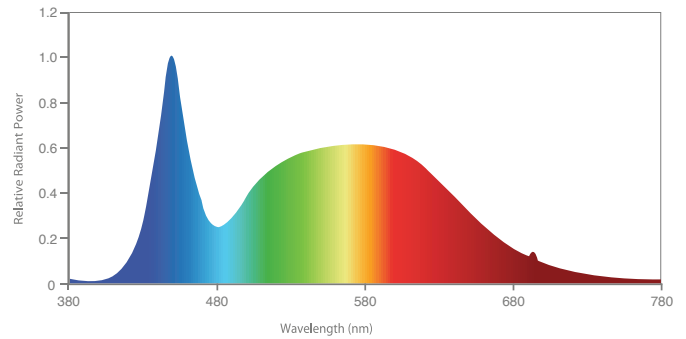
Average Life: L70(6k)>36,300 hrs

Colour Temperature: 5191K

FIG. 2 - Colour Rendering Indices

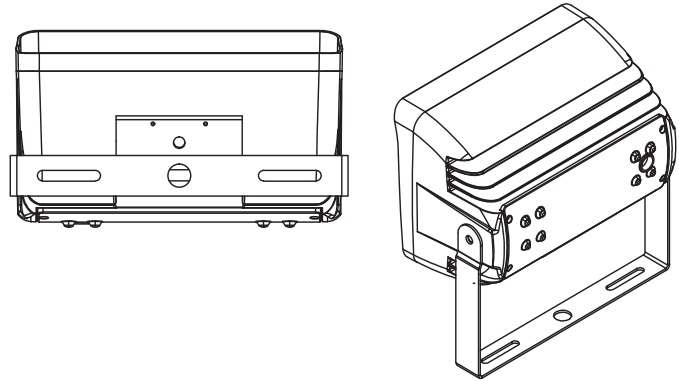
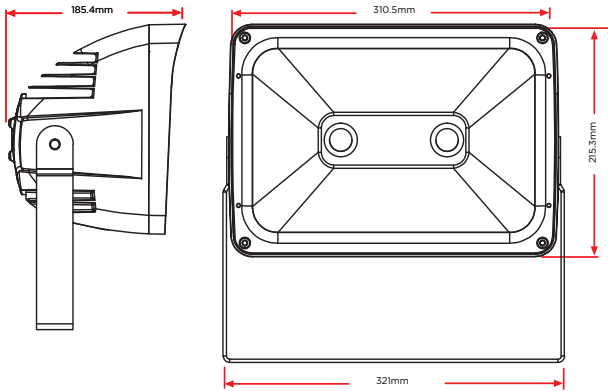
R1	84	R9	21
R2	87	R10	69
R3	89	R11	85
R4	85	R12	66
R5	85	R13	84
R6	83	R14	94
R7	87	R15	80
R8	73		

FIG. 3 - Spectral Power Distribution

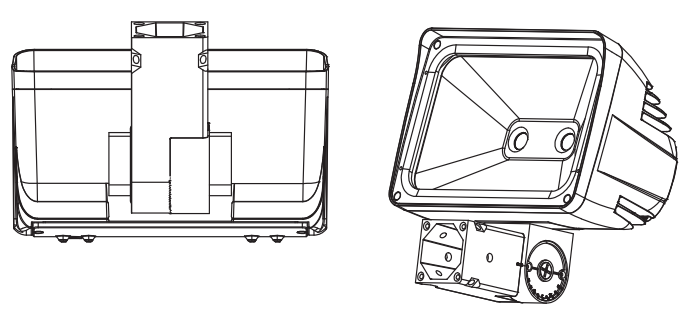
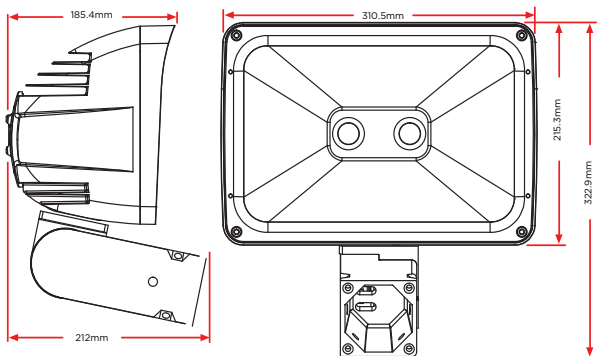


LINE DRAWING

Yoke Mounting Option



Slip Fitter Mounting Option





CONTRACTOR:	
PROJECT:	DATE:
PREPARED BY:	MODEL#: RBFLED805KY-XX

PHYSICAL SPECIFICATIONS

Colour(s): Architectural Bronze
Finished Type: Textured Powder
Coat over Chromate Conversion Coat

Wiring: 6' 18/3 SJTW Cord Whip
Housing Material: Die-Cast Aluminum
Mounting: Yoke Mount & Slip Fitter
Mount

Lens Material: Tempered Glass
Lens Type: Clear
Reflector Material: Specular Aluminum

ORDERING INFORMATION

Yoke Mount: RBFLED805KY-BZ

Slip Fitter Mount: RBFLED805KS-BZ

Carton Quantity: 1
Carton Weight: 17.15 lbs - 7.78 kg

Carton Length: 370mm - 14.56"
Carton Width: 370mm - 14.56"

Carton Height: 255mm - 10.03"