

CONTRACTOR:	
PROJECT:	DATE:
PREPARED BY:	MODEL#: RFK4-3

SERIES SPECIFICATIONS



To supply and install TamLite RFK Series of retrofit kits as specified. The fixture shall operate at 120-277VAC. LED'S shall be as specified, Phillips LUXEON 3535 LED Chips with a CRI of over 80 for increased colour rendering. Housing shall be constructed of die cast aluminum. The fixture shall be dimmable (to 5%) at 120VAC. The fixture shall be cULus and Energy Star approved.



PERFORMANCE SPECIFICATIONS

FIG. 1 - Luminance Distribution Chart

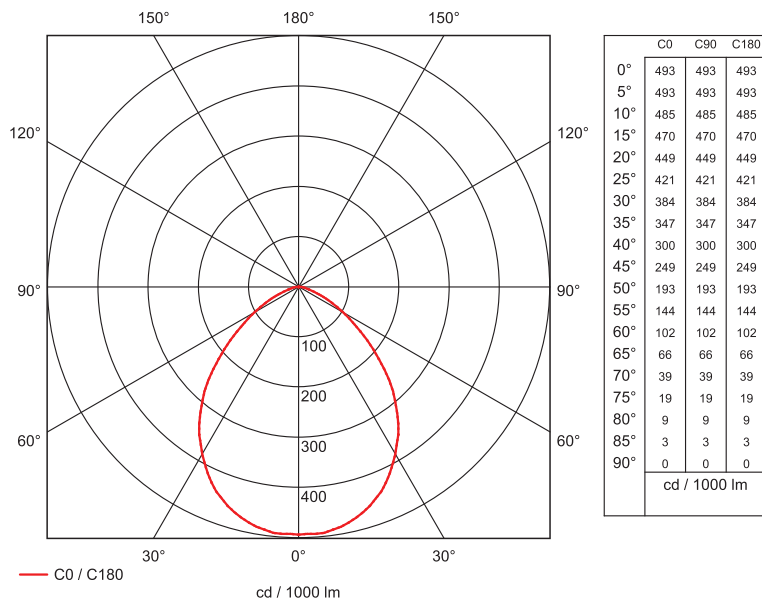


FIG. 2 - Zonal Lumen Summary

ZONE	LUMENS	%LAMP	LUMINAIRE
0-30	277	37.25	37.25
0-40	437	58.75	58.75
0-60	675	90.78	90.78
0-90	743	100.00	100.00
40-90	306	41.25	41.25
60-90	68	9.22	9.22
90-180	0	.00	.00
0-180	743	100.00	100.00

Environmental Rating: Wet Location Listed

Certification Standards: cULus

Limited Product Warranty: 3 Years

Operating Temp: -20°C to +40°C

Spacing Criteria: S/MH: 1.2, SC: 1.2

Efficacy: 71.7 lm/W

Initial Lumen Output: 743 lm

CONTRACTOR:		DATE:
PROJECT:		MODEL#: RFK4-3
PREPARED BY:		

PERFORMANCE SPECIFICATIONS

FIG. 3 - Co-efficient of Utilization

Effective Floor Cavity Reflectance - 0.20

ρCC	80				70				50			30			10			0
	70	50	30	10	70	50	30	10	50	30	10	50	30	10	50	30	10	0
ρWALL	70	50	30	10	70	50	30	10	50	30	10	50	30	10	50	30	10	0
RCR																		
0	1.19	1.19	1.19	1.19	1.16	1.16	1.16	1.16	1.11	1.11	1.11	1.06	1.06	1.06	1.02	1.02	1.02	1.00
1	1.21	1.08	1.05	1.02	1.09	1.06	1.03	1.00	1.02	.99	.97	.98	.96	.94	.94	.93	.92	.90
2	1.04	.98	.93	.89	1.02	.96	.92	.88	.93	.89	.86	.90	.87	.84	.87	.84	.82	.80
3	.97	.89	.83	.77	.95	.87	.82	.77	.85	.80	.76	.82	.78	.74	.80	.76	.73	.71
4	.91	.81	.74	.69	.89	.80	.74	.68	.78	.72	.67	.75	.70	.67	.73	.69	.66	.64
5	.84	.74	.66	.61	.82	.73	.66	.60	.71	.65	.60	.69	.63	.59	.67	.63	.59	.57
6	.78	.67	.59	.54	.77	.66	.59	.54	.64	.58	.53	.63	.57	.53	.61	.56	.52	.51
7	.72	.61	.53	.48	.71	.60	.53	.48	.58	.52	.47	.57	.51	.47	.56	.51	.47	.45
8	.68	.55	.48	.43	.66	.55	.48	.43	.54	.47	.42	.52	.46	.42	.51	.46	.42	.40
9	.63	.51	.43	.38	.62	.50	.43	.38	.49	.42	.38	.48	.42	.38	.47	.42	.37	.36
10	.58	.47	.39	.34	.57	.46	.39	.34	.45	.39	.34	.44	.38	.34	.43	.38	.34	.32

LED SPECIFICATIONS

LED Chip: Philips
LED Type: LUXEON 3535
Chromaticity: x=0.426, y=0.396

CRI: 83
TJ Max: 85°C
Driver: Tovin

Average Life: L70(6k)>36,000 hrs
Colour Temperature: 3000K (nominal)

ELECTRICAL SPECIFICATIONS

Voltage: 120-277VAC
Fixture Draw: 10.38W
Current Draw: 0.087A

Power Factor: 0.994
Frequency: 50/60 Hz
Dimmable: 120V only

THD%: 9.5% @ 120VAC; 18.1%
 @ 277VAC

COLOURS & FINISHES



White (WH)



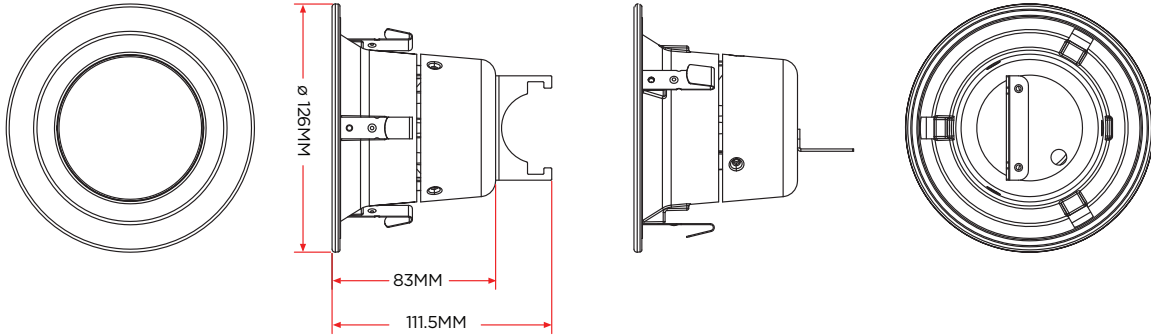
Black (BK)



Satin Nickel (SN)

CONTRACTOR:	
PROJECT:	DATE:
PREPARED BY:	MODEL#: RFK4-3

LINE DRAWING



PHYSICAL SPECIFICATIONS

Colour(s): White (WH), Black (BK), Satin Nickel (SN)

Wiring: E26 adapter & quick connect
Housing Material: Die-Cast Aluminum

Finished Type: Powder Coat (WH/BK), Electroplate (SN)

ORDERING INFORMATION

White: RFK4-3 WH

Black: RFK4-3 BK

Satin Nickel: RFK4-3 SN

Box Dimensions: 132 x 132 x 92mm
Box Weight: 0.85lbs - 0.39kg

Carton Dimensions: 285 x 285 x 305mm
Carton Weight: 11.86lbs - 5.38kg

Carton Quantity: 12



The U.S. Department of Energy's LED Lighting Facts® Program has verified product performance based on industry-standardized testing.



For details, see: _____ Tamlite Lighting

Model # _____ RFK4-3

www.lightingfacts.com/products