

CONTRACTOR:	
PROJECT:	DATE:
PREPARED BY:	MODEL#: RFK56-4

SERIES SPECIFICATIONS



To supply and install TamLite RFK Series of retrofit kits as specified. The fixture shall operate at 120-277VAC. LED'S shall be as specified, Phillips LUXEON 3535 LED Chips with a CRI of over 80 for increased colour rendering. Housing shall be constructed of die cast aluminum. The fixture shall be dimmable (to 5%) at 120VAC. The fixture shall be cULus approved.



PERFORMANCE SPECIFICATIONS

FIG. 1 - Luminance Distribution Chart

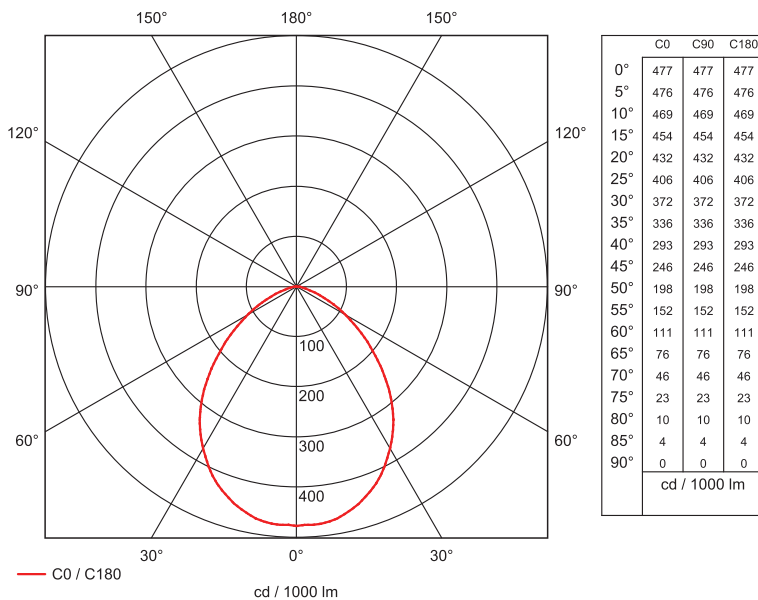


FIG. 2 - Zonal Lumen Summary

ZONE	LUMENS	%LAMP	LUMINAIRE
0-30	407	35.97	35.97
0-40	644	56.88	56.88
0-60	1012	89.43	89.43
0-90	1132	100.00	100.00
40-90	488	43.12	43.12
60-90	119	10.57	10.57
90-180	0	.00	.00
0-180	1132	100.00	100.00

Environmental Rating: Wet Location Listed

Certification Standards: cULus

Limited Product Warranty: 3 Years

Operating Temp: -20°C to +40°C

Spacing Criteria: S/MH: 1.2, SC: 1.2

Efficacy: 74.1 lm/W

Initial Lumen Output: 1132 lm

CONTRACTOR:	
PROJECT:	DATE:
PREPARED BY:	MODEL#: RFK56-4

PERFORMANCE SPECIFICATIONS

FIG. 3 - Co-efficient of Utilization

Effective Floor Cavity Reflectance - 0.20

ρCC	80				70				50			30			10			0
	ρWALL	70	50	30	10	70	50	30	10	50	30	10	50	30	10	50	30	10
RCR																		
0	1.19	1.19	1.19	1.19	1.16	1.16	1.16	1.16	1.11	1.11	1.11	1.06	1.06	1.06	1.02	1.02	1.02	1.00
1	1.11	1.08	1.05	1.02	1.09	1.06	1.03	1.00	1.01	.99	.97	.98	.96	.94	.94	.93	.91	.89
2	1.04	.98	.92	.88	1.02	.96	.91	.87	.92	.88	.85	.89	.86	.83	.87	.84	.81	.79
3	.96	.88	.82	.76	.94	.87	.81	.76	.84	.79	.75	.81	.77	.73	.79	.75	.72	.70
4	.90	.80	.73	.68	.88	.79	.73	.67	.77	.71	.66	.74	.69	.66	.72	.68	.65	.63
5	.84	.73	.65	.60	.81	.72	.64	.59	.70	.63	.59	.68	.62	.58	.66	.61	.57	.56
6	.78	.66	.58	.53	.76	.65	.58	.53	.63	.57	.52	.62	.56	.52	.60	.55	.51	.50
7	.72	.60	.52	.47	.70	.59	.52	.46	.57	.51	.46	.56	.50	.46	.55	.50	.45	.44
8	.67	.55	.47	.42	.65	.54	.47	.41	.53	.46	.41	.51	.45	.42	.50	.45	.41	.39
9	.62	.50	.42	.37	.61	.49	.42	.37	.48	.42	.37	.47	.41	.37	.46	.41	.36	.35
10	.58	.46	.38	.33	.57	.45	.38	.33	.44	.38	.33	.43	.37	.33	.42	.37	.33	.31

LED SPECIFICATIONS

LED Chip: Philips
LED Type: LUXEON 3535
Chromaticity: x=0.428, y=0.398

CRI: 83
TJ Max: 85°C
Driver: Towin

Average Life: L70(6k)>36,000 hrs
Colour Temperature: 4000K (nominal)

ELECTRICAL SPECIFICATIONS

Voltage: 120-277VAC
Fixture Draw: 15.28W
Current Draw: 0.128A

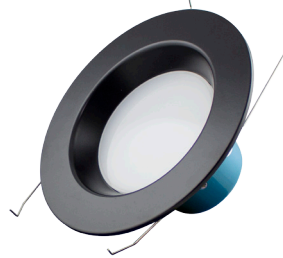
Power Factor: 0.995
Frequency: 50/60 Hz
Dimmable: 120V only

THD%: 9% @ 120VAC; 17.5%
 @277VAC

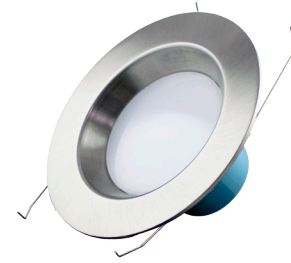
COLOURS & FINISHES



White (WH)



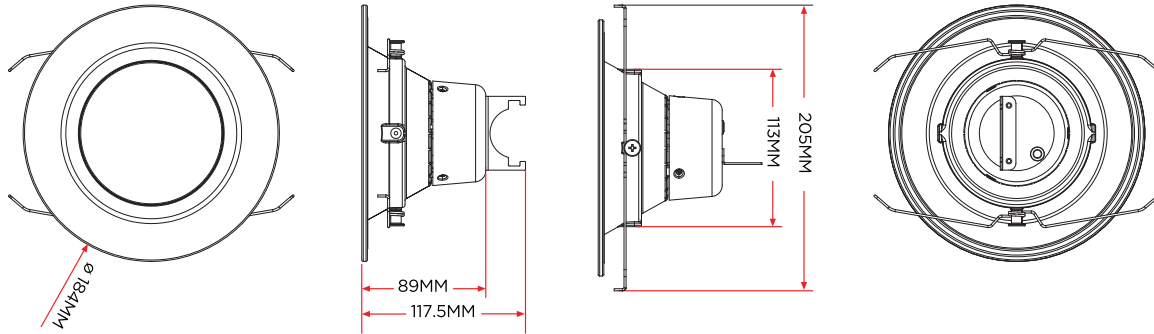
Black (BK)



Satin Nickel (SN)

CONTRACTOR:	
PROJECT:	DATE:
PREPARED BY:	MODEL#: RFK56-4

LINE DRAWING



PHYSICAL SPECIFICATIONS

Colour(s): White (WH), Black (BK), Satin Nickel (SN)

Wiring: E26 adapter & quick connect
Housing Material: Die-Cast Aluminum

Finished Type: Powder Coat (WH/BK), Electroplate (SN)

ORDERING INFORMATION

White: RFK56-4 WH

Black: RFK56-4 BK

Satin Nickel: RFK56-4 SN

Box Dimensions: 190 x 190 x 98mm

Carton Dimensions: 400 x 400 x 320mm

Carton Quantity: 12

Box Weight: 1.15lbs - 0.52kg

Carton Weight: 16.05 lbs - 7.28 kg