

<b>CONTRACTOR:</b>	
<b>PROJECT:</b>	<b>DATE:</b>
<b>PREPARED BY:</b>	<b>MODEL#: TAFML315</b>

## SERIES SPECIFICATIONS



To supply and install TamLite's TAFML Series of Decorative LED Flush Mount Luminaire as specified. The Luminaire shall operate at 120VAC to 277VAC. The frame shall be constructed of Aluminium with a an Alabaster Glass Lens. LEDs shall be as specified Hongli LED chips. Luminaire shall be dimmable. The luminaire shall be c-ETL-us listed.



## PERFORMANCE SPECIFICATIONS

FIG.1 - Luminance Distribution Chart

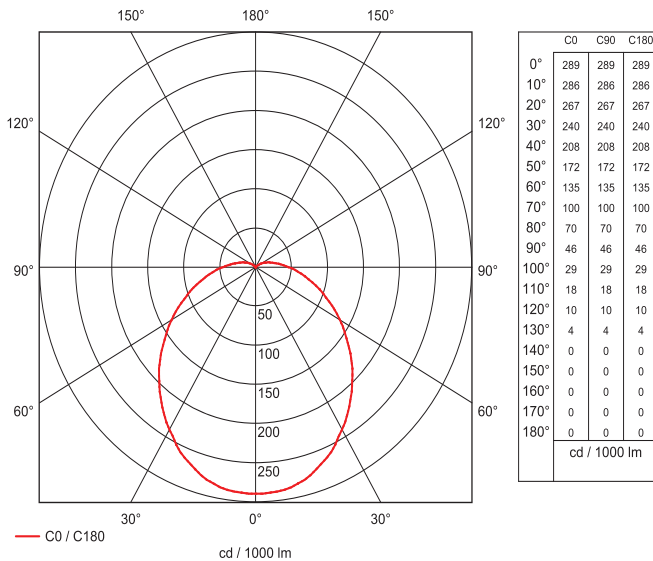


FIG.2 - Zonal Lumen Summary

ZONE	LUMENS	LAMP %	LUMINAIRE %
0-30	243	22.34%	22.34%
0-40	395	36.35%	36.35%
0-60	703	64.64%	64.64%
0-90	994	91.37%	91.37%
40-90	598	55.03%	55.03%
60-90	290	26.73%	26.73%
90-180	93	8.63%	8.63%
0-180	1089	100.00%	100.00%

**Initial Lumen Output - 1050 lm ± 10%**

**Certification Standards:** cETLus

**Limited Product Warranty:** 5 Years

**Operating Temp:** -20°C to +40°C

**Spacing Criteria:** 1.2 (C0/180); 1.2 (C90/270)

**Efficacy - 71.60 lm/W**

**Environmental Rating:** IP20

**UL Classification:** Dry Location Listed

<b>CONTRACTOR:</b>		<b>DATE:</b>	
<b>PROJECT:</b>		<b>MODEL#:</b> TAFML315	
<b>PREPARED BY:</b>			

## PERFORMANCE SPECIFICATIONS

**FIG.3 - Coefficients of Utilization**

**Effective Floor Cavity Reflectance - .20**

CC	80				70				50			30			10			0
	70	50	30	10	70	50	30	10	50	30	10	50	30	10	50	30	10	0
<b>RCR</b>																		
0	1.17	1.17	1.17	1.17	1.13	1.13	1.13	1.13	1.06	1.06	1.06	1.00	1.00	1.00	.94	.94	.94	.91
1	1.05	1.00	.95	.91	1.02	.97	.92	.88	.91	.87	.84	.85	.83	.80	.81	.78	.76	.73
2	.96	.87	.80	.74	.92	.84	.78	.72	.79	.74	.69	.75	.70	.66	.71	.67	.64	.61
3	.87	.76	.68	.61	.84	.74	.66	.60	.70	.63	.58	.66	.61	.56	.62	.58	.54	.51
4	.80	.68	.59	.52	.77	.66	.58	.52	.63	.56	.50	.59	.53	.48	.56	.51	.47	.44
5	.74	.61	.52	.45	.71	.59	.50	.44	.56	.49	.43	.53	.47	.42	.50	.45	.40	.38
6	.68	.54	.45	.39	.65	.53	.44	.38	.50	.43	.37	.48	.41	.36	.45	.40	.35	.33
7	.62	.49	.40	.34	.60	.47	.39	.33	.45	.38	.32	.43	.36	.31	.41	.35	.31	.28
8	.58	.44	.36	.30	.56	.43	.35	.29	.41	.34	.29	.39	.33	.28	.37	.32	.27	.25
9	.54	.40	.32	.26	.52	.39	.31	.26	.37	.30	.25	.36	.29	.25	.34	.28	.24	.22
10	.50	.37	.28	.23	.48	.36	.28	.23	.34	.27	.22	.33	.26	.22	.31	.25	.21	.20

## ELECTRICAL SPECIFICATIONS

**Voltage:** 120-277VAC

**Frequency:** 60 Hz

**Current Draw:** 0.129A

**Power Factor:** 0.982 @120VAC

**Fixture Draw:** 15W ±10%

**I-THD(%):** 17.27% @ 120VAC

## LED SPECIFICATIONS

**LED Chip:** Hongli

**LED Type:** Array

**R9:** -4.38

**CRI:** 79.64

**Average Life:** L70(6K) => 36,000 hrs

**Chromaticity:** X = 0.4416; Y = 0.4087

**CCT:** 3000K

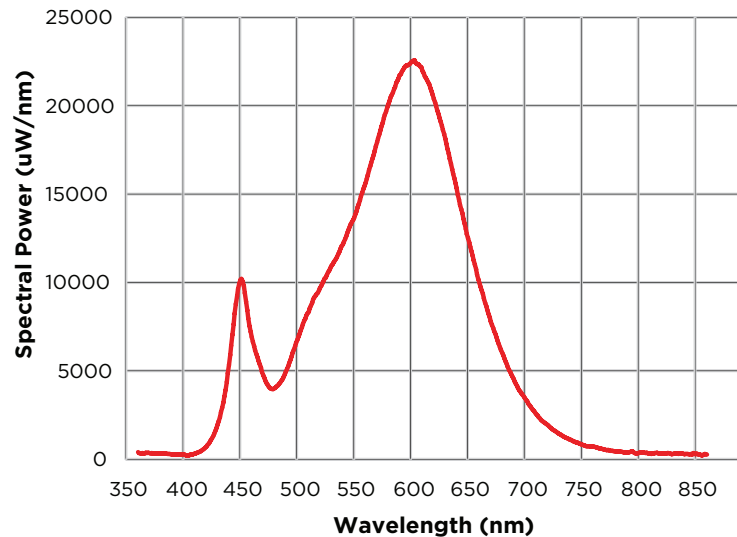
**Dimming:** Continuous (20 - 100%)

**DUV:** 0.001227

**FIG.4 - Colour Rendering Indices**

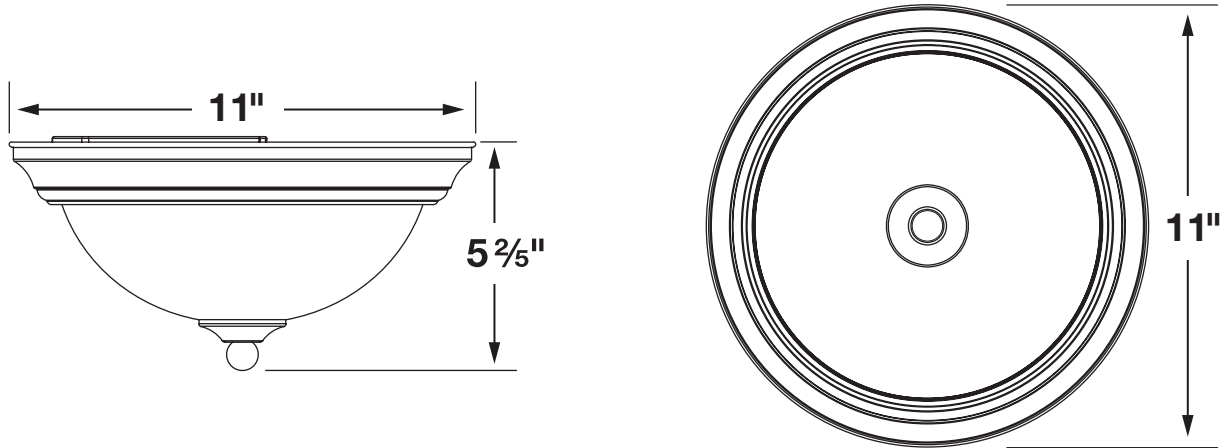
Special CRI (Ri)	
R1	77.04
R2	88.65
R3	96.31
R4	76.65
R5	77.11
R6	85.80
R7	81.39
R8	54.17
R9	-4.38
R10	74.44
R11	74.59
R12	67.38
R13	79.52
R14	98.43

**FIG.5 - Spectral Power Distribution**



CONTRACTOR:	
PROJECT:	DATE:
PREPARED BY:	MODEL#: TAFML315

## LINE DRAWING



## PHYSICAL SPECIFICATIONS

**Colour:** White (WH), Bronze (BZ), Satin Nickel (SN)  
**Mounting:** Surface

**Lens Type:** Marble Glass  
**Housing Material:** Aluminum

## ORDERING INFORMATION

**Part Number:** TAFML315  
**Inner Carton Quantity:** 1

**Inner Carton Length:** 312mm - 12.28"  
**Inner Carton Width:** 312mm - 12.28"

**Inner Carton Height:** 140mm - 5.51"

**Outer Carton Quantity:** 4

**Outer Carton Length:** 645mm - 25.39"  
**Outer Carton Width:** 330mm - 12.99"

**Outer Carton Height:** 305mm - 12.00"



The U.S. Department of Energy's LED Lighting Facts® Program has verified product performance based on industry-standardized testing.



For details, see: \_\_\_\_\_ Tamlite Lighting  
 Model # \_\_\_\_\_ TAFML315

[www.lightingfacts.com/products](http://www.lightingfacts.com/products)