

CONTRACTOR:	
PROJECT:	DATE:
PREPARED BY:	MODEL#: TAFML415

SERIES SPECIFICATIONS



To supply and install TamLite's TAFML Series of Decorative LED Flush Mount Luminaire as specified. The Luminaire shall operate at 120VAC to 277VAC. The frame shall be constructed of Aluminium with a an Alabaster Glass Lens. LEDs shall be as specified Hongli LED chips. Lumaire shall be dimmable. The luminaire shall be c-ETL-us listed.



PERFORMANCE SPECIFICATIONS

FIG.1 - Luminance Distribution Chart

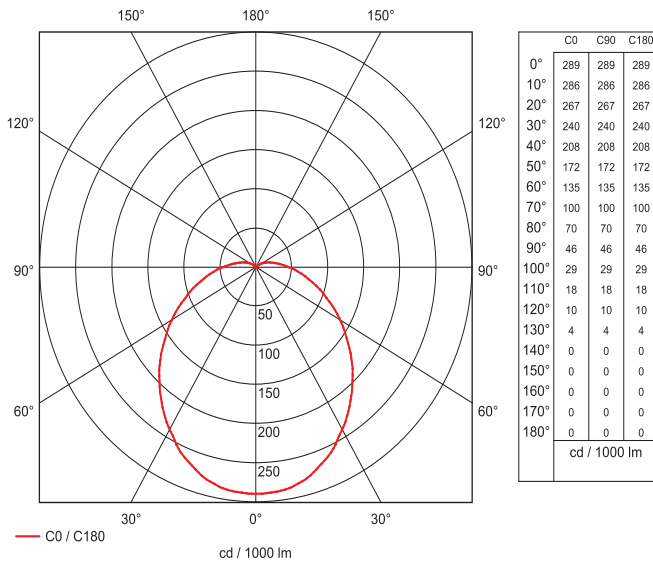


FIG.2 - Zonal Lumen Summary

ZONE	LUMENS	LAMP %	LUMINAIRE %
0-30	243	22.34%	22.34%
0-40	395	36.35%	36.35%
0-60	703	64.64%	64.64%
0-90	994	91.37%	91.37%
40-90	598	55.03%	55.03%
60-90	290	26.73%	26.73%
90-180	93	8.63%	8.63%
0-180	1089	100.00%	100.00%

Initial Lumen Output - 1050 lm \pm 10%
Certification Standards: cETLus
Limited Product Warranty: 5 Years
Operating Temp: -20°C to +40°C
Spacing Criteria: 1.2 (C0/180); 1.2 (C90/270)
Efficacy - 81.80 lm/W
Environmental Rating: IP20
UL Classification: Dry Location Listed

CONTRACTOR:		DATE:	
PROJECT:		MODEL#: TAFML415	
PREPARED BY:			

PERFORMANCE SPECIFICATIONS

FIG.3 - Coefficients of Utilization

Effective Floor Cavity Reflectance - .20

CC	80				70				50			30			10			0
	70	50	30	10	70	50	30	10	50	30	10	50	30	10	50	30	10	0
RCR																		
0	1.17	1.17	1.17	1.17	1.13	1.13	1.13	1.13	1.06	1.06	1.06	1.00	1.00	1.00	.94	.94	.94	.91
1	1.05	1.00	.95	.91	1.02	.97	.92	.88	.91	.87	.84	.85	.83	.80	.81	.78	.76	.73
2	.96	.87	.80	.74	.92	.84	.78	.72	.79	.74	.69	.75	.70	.66	.71	.67	.64	.61
3	.87	.76	.68	.61	.84	.74	.66	.60	.70	.63	.58	.66	.61	.56	.62	.58	.54	.51
4	.80	.68	.59	.52	.77	.66	.58	.52	.63	.56	.50	.59	.53	.48	.56	.51	.47	.44
5	.74	.61	.52	.45	.71	.59	.50	.44	.56	.49	.43	.53	.47	.42	.50	.45	.40	.38
6	.68	.54	.45	.39	.65	.53	.44	.38	.50	.43	.37	.48	.41	.36	.45	.40	.35	.33
7	.62	.49	.40	.34	.60	.47	.39	.33	.45	.38	.32	.43	.36	.31	.41	.35	.31	.28
8	.58	.44	.36	.30	.56	.43	.35	.29	.41	.34	.29	.39	.33	.28	.37	.32	.27	.25
9	.54	.40	.32	.26	.52	.39	.31	.26	.37	.30	.25	.36	.29	.25	.34	.28	.24	.22
10	.50	.37	.28	.23	.48	.36	.28	.23	.34	.27	.22	.33	.26	.22	.31	.25	.21	.20

ELECTRICAL SPECIFICATIONS

Voltage: 120-277VAC

Frequency: 60 Hz

Current Draw: 0.113A

Power Factor: 0.9735 @120VAC

Fixture Draw: 14W ±10%

I-THD(%): 18.40% @ 120VAC

LED SPECIFICATIONS

LED Chip: Hongli

LED Type: Array

R9: -8.28

CRI: 79.58

Average Life: L70(6K) => 36,000 hrs

Chromaticity: X= 0.3814; Y= 0.3801

CCT: 4000K

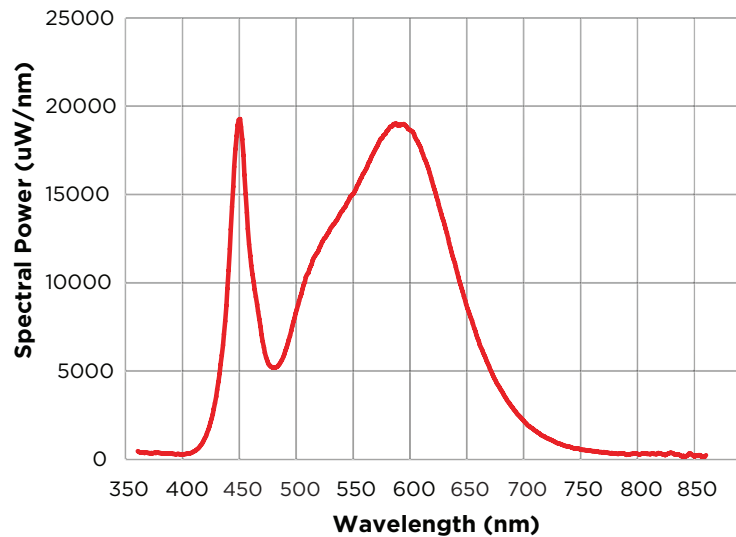
Dimming: Continuous (20 - 100%)

DUV: 0.00128

FIG.4 - Colour Rendering Indices

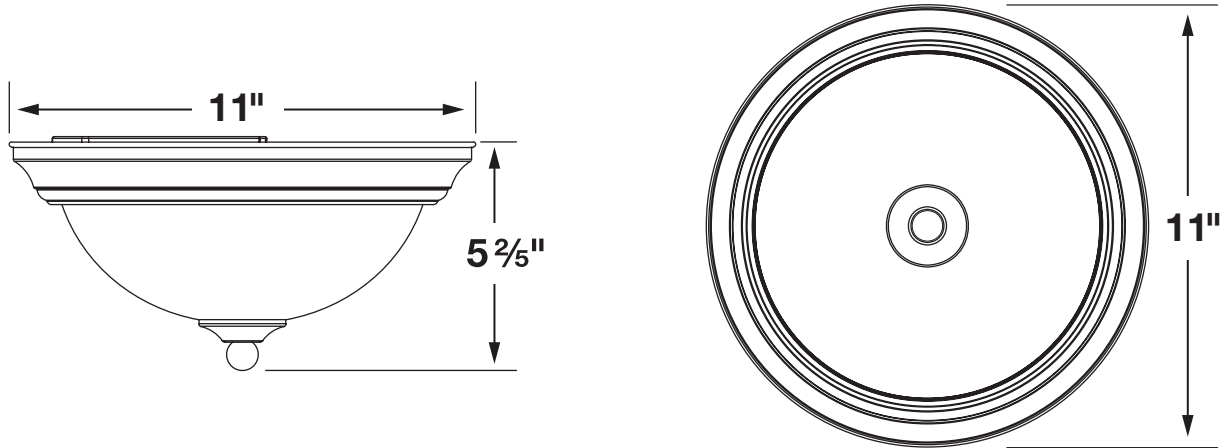
Special CRI (Ri)	
R1	76.85
R2	86.35
R3	93.86
R4	78.19
R5	77.34
R6	81.38
R7	84.02
R8	58.67
R9	-8.28
R10	68.13
R11	76.26
R12	59.64
R13	78.95
R14	96.73

FIG.5 - Spectral Power Distribution



CONTRACTOR:		DATE:
PROJECT:		
PREPARED BY:	MODEL#: TAFML415	

LINE DRAWING



PHYSICAL SPECIFICATIONS

Colour: White (WH), Bronze (BZ), Satin Nickel (SN)
Mounting: Surface

Lens Type: Marble Glass
Housing Material: Aluminum

ORDERING INFORMATION

Part Number: TAFML415
Inner Carton Quantity: 1

Inner Carton Length: 312mm - 12.28"
Inner Carton Width: 312mm - 12.28"

Inner Carton Height: 140mm - 5.51"

Outer Carton Quantity: 4

Outer Carton Length: 645mm - 25.39"
Outer Carton Width: 330mm - 12.99"

Outer Carton Height: 305mm - 12.00"



The U.S. Department of Energy's LED Lighting Facts® Program has verified product performance based on industry-standardized testing.



For details, see: _____ Tamlite Lighting
 Model # _____ TAFML415

www.lightingfacts.com/products