

| | | |
|--------------|---------------------|-------|
| CONTRACTOR: | | DATE: |
| PROJECT: | | |
| PREPARED BY: | MODEL#: TASLL3**-FL | |

SERIES SPECIFICATIONS



To supply and install TamLite's TASLL Series of LED Step Light Luminaire as specified. The Luminaire shall operate at 120VAC. The face plate shall be constructed of powder coated steel. The lens shall be either vertical louvered, horizontal louvered or open diffused. LEDs shall be as specified Hongli LED chips. The luminaire shall be c-UL-us listed.



PERFORMANCE SPECIFICATIONS

FIG. 1 - Luminance Distribution Chart

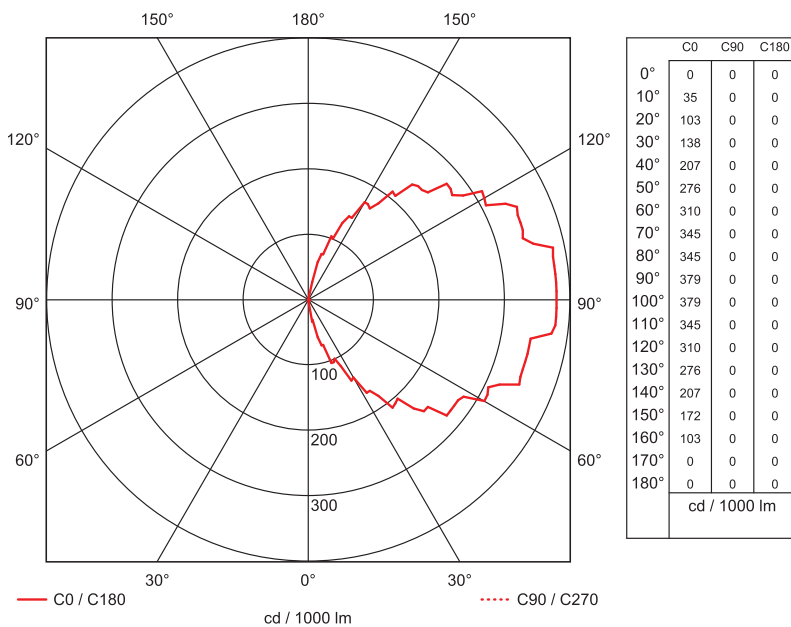


FIG. 2 - Zonal Lumen Summary

| ZONE | LUMENS | %LAMP | LUMINAIRE |
|--------|--------|--------|-----------|
| 0-30 | 0 | 1.96 | 1.96 |
| 0-40 | 1 | 5.19 | 5.19 |
| 0-60 | 5 | 17.84 | 17.84 |
| 0-90 | 14 | 49.53 | 49.53 |
| 40-90 | 12 | 44.34 | 44.34 |
| 60-90 | 9 | 31.69 | 31.69 |
| 90-180 | 14 | 50.47 | 50.47 |
| 0-180 | 29 | 100.00 | 100.00 |

Initial Lumen Output: 29 lm ± 10%

Efficacy: 52.7 lm/W

Environmental Rating: IP44

Certification Standards: cULus

Limited Product Warranty: 1 Year

UL Classification: Wet Location Listed

Operating Temp: -20°C to +40°C

| | | | |
|---------------------|--|----------------------------|--|
| CONTRACTOR: | | DATE: | |
| PROJECT: | | MODEL#: TASLL3**-FL | |
| PREPARED BY: | | | |

PERFORMANCE SPECIFICATIONS

FIG. 3 - Co-efficient of Utilization

Effective Floor Cavity Reflectance - 0.20

| ρCC | 80 | | | | 70 | | | | 50 | | | 30 | | | 10 | | | 0 |
|------------|------|------|------|------|-----|-----|-----|-----|-----|-----|-----|-----|-----|-----|-----|-----|-----|-----|
| | 70 | 50 | 30 | 10 | 70 | 50 | 30 | 10 | 50 | 30 | 10 | 50 | 30 | 10 | 50 | 30 | 10 | 0 |
| RCR | | | | | | | | | | | | | | | | | | |
| 0 | 1.07 | 1.07 | 1.07 | 1.07 | .99 | .99 | .99 | .99 | .83 | .83 | .83 | .69 | .69 | .69 | .56 | .56 | .56 | .50 |
| 1 | .92 | .85 | .79 | .74 | .84 | .78 | .73 | .68 | .65 | .60 | .57 | .52 | .49 | .46 | .40 | .38 | .36 | .30 |
| 2 | .81 | .71 | .63 | .55 | .74 | .65 | .57 | .51 | .53 | .47 | .42 | .42 | .38 | .34 | .32 | .29 | .26 | .20 |
| 3 | .73 | .60 | .51 | .43 | .66 | .55 | .46 | .39 | .44 | .38 | .32 | .35 | .30 | .25 | .26 | .22 | .19 | .14 |
| 4 | .65 | .52 | .42 | .35 | .59 | .47 | .28 | .32 | .38 | .31 | .26 | .30 | .25 | .20 | .22 | .18 | .15 | .10 |
| 5 | .59 | .45 | .35 | .28 | .53 | .41 | .32 | .25 | .33 | .26 | .21 | .26 | .20 | .16 | .19 | .14 | .11 | .07 |
| 6 | .54 | .39 | .30 | .23 | .48 | .36 | .27 | .21 | .29 | .22 | .17 | .22 | .17 | .12 | .16 | .12 | .08 | .05 |
| 7 | .49 | .35 | .25 | .19 | .44 | .31 | .23 | .17 | .25 | .18 | .13 | .19 | .14 | .10 | .14 | .10 | .06 | .04 |
| 8 | .45 | .31 | .22 | .16 | .41 | .28 | .20 | .14 | .22 | .16 | .11 | .17 | .12 | .08 | .12 | .08 | .05 | .02 |
| 9 | .41 | .28 | .19 | .13 | .37 | .27 | .17 | .12 | .20 | .14 | .09 | .15 | .10 | .06 | .11 | .07 | .04 | .01 |
| 10 | .38 | .25 | .16 | .11 | .35 | .22 | .15 | .10 | .18 | .12 | .08 | .14 | .09 | .05 | .10 | .06 | .03 | .01 |

LED SPECIFICATIONS

LED Chip: Hongli

LED Type: Array

Colour Temperature: 3000K

ELECTRICAL SPECIFICATIONS

Voltage: 120 VAC

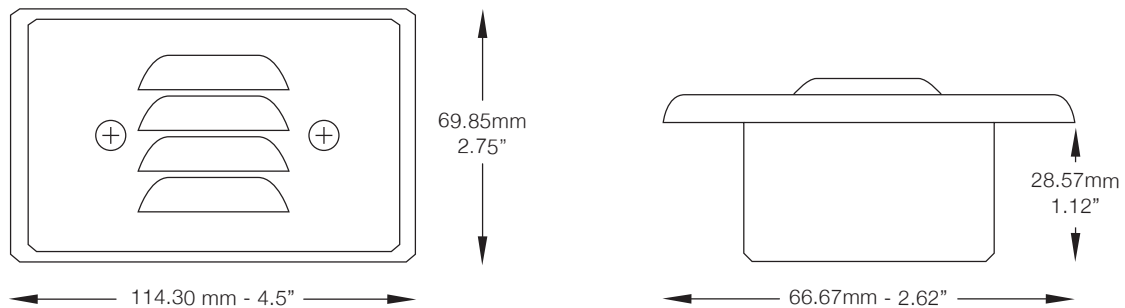
Fixture Draw: 0.55W ± 10%

Power Factor: 0.286 @ 120VAC

Frequency: 60 Hz

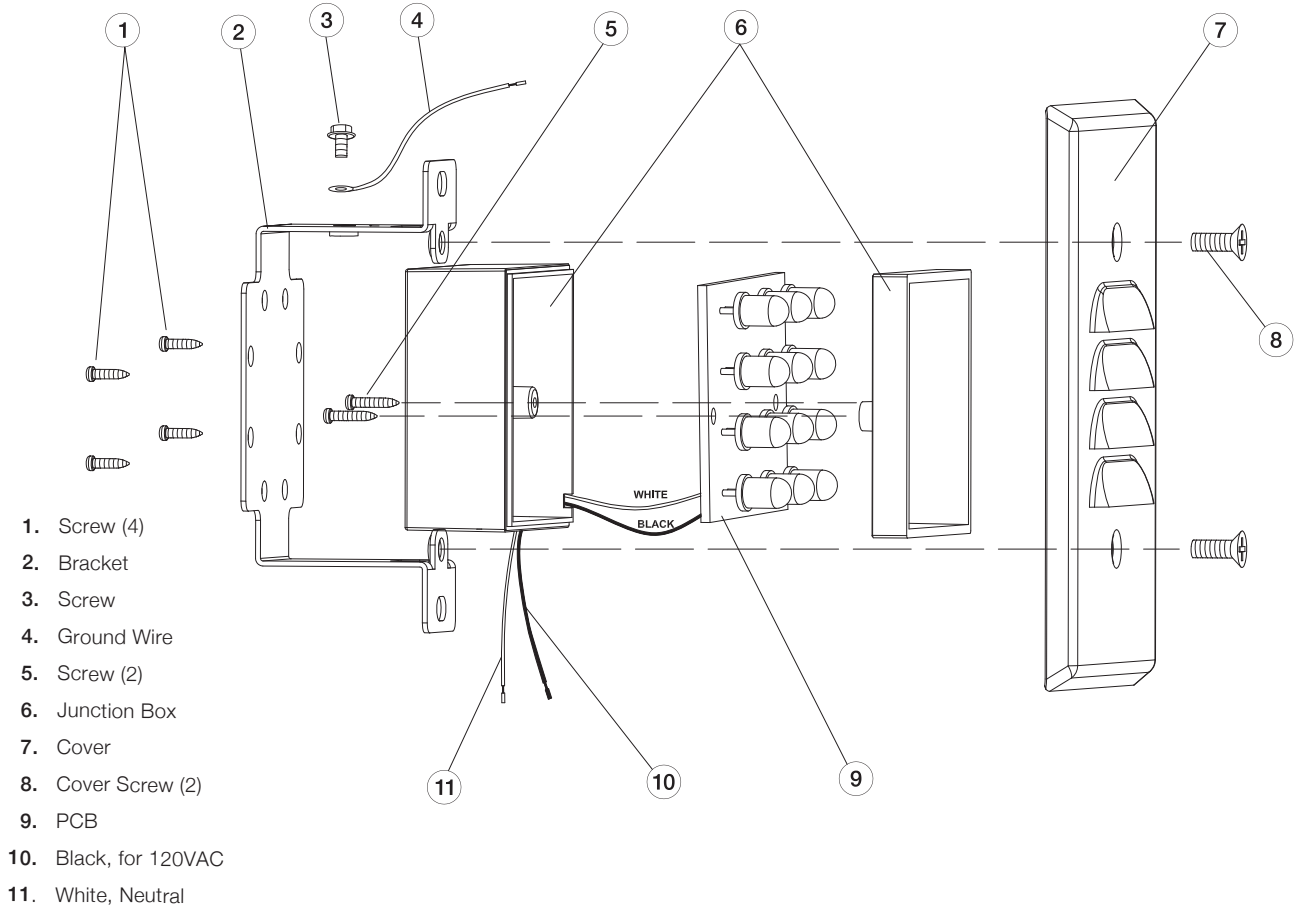
Current Draw: 0.016A

LINE DRAWING



| | |
|--------------|---------------------|
| CONTRACTOR: | |
| PROJECT: | DATE: |
| PREPARED BY: | MODEL#: TASLL3**-FL |

LINE DRAWING



PHYSICAL SPECIFICATIONS

Colour(s): White (WH),
SS (Stainless Steel), Black (BK),
Bronze (BZ)

Finished Type: Powder Coated Steel
Mounting: Recessed
Housing Material: Steel

Lens Type: Vertical Louvered,
Horizontal Louvered or
Open Diffused

ORDERING INFORMATION

Part Number: TASLL3**-FL

Box Quantity: 1

Box Length: 76mm - 2.99"
Box Width: 44mm - 1.73"

Box Height: 120mm - 4.72"
Box Weight: 0.23kg - 0.51lbs

Carton Quantity: 24

Carton Length: 270mm - 10.63"
Carton Width: 255mm - 10.04"

Carton Height: 245mm - 9.65"
Carton Weight: 5.40kg - 11.91lbs