

CONTRACTOR:		DATE:
PROJECT:		
PREPARED BY:	MODEL#: TASLL3**-LV	

## SERIES SPECIFICATIONS



To supply and install TamLite's TASLL Series of LED Step Light Luminaire as specified. The Luminaire shall operate at 120VAC. The face plate shall be constructed of powder coated steel. The lens shall be either vertical louvered, horizontal louvered or open diffused. LEDs shall be as specified Hongli LED chips. The luminaire shall be c-UL-us listed.



## PERFORMANCE SPECIFICATIONS

FIG. 1 - Luminance Distribution Chart

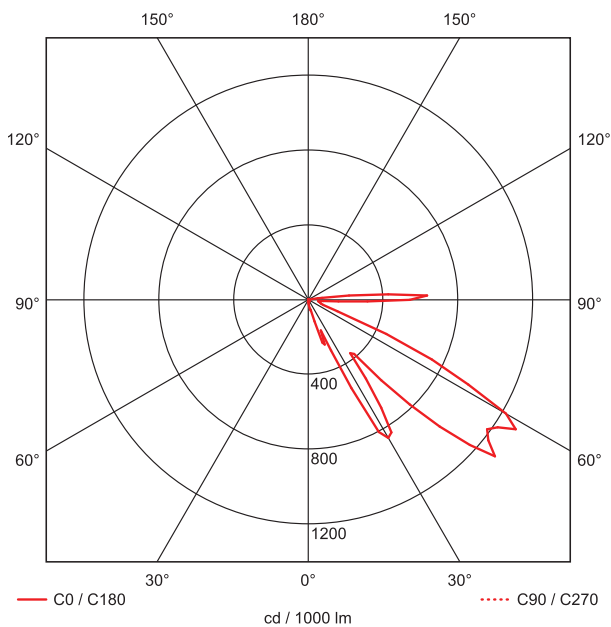


FIG. 2 - Zonal Lumen Summary

	C0	C90	C180
0°	8	8	8
10°	49	9	0
20°	257	14	0
30°	855	16	0
40°	380	11	0
50°	1303	12	0
60°	1220	10	0
70°	85	4	0
80°	54	0	0
90°	544	0	0
100°	52	0	0
110°	0	0	0
120°	0	0	0
130°	0	0	0
140°	0	0	0
150°	0	0	0
160°	0	0	0
170°	0	0	0
180°	0	0	0
	cd / 1000 lm		

ZONE	LUMENS	%LAMP	LUMINAIRE
0-30	409	6.44	6.44
0-40	1140	17.96	17.96
0-60	3853	60.70	60.70
0-90	5899	92.91	92.91
40-90	4759	74.96	74.96
60-90	2045	32.22	32.22
90-180	449	7.09	7.09
0-180	6350	100.00	100.00

Initial Lumen Output: 6.35lm ± 10%

Efficacy: 11.55 lm/W

Environmental Rating: IP44

Certification Standards: cULus

Limited Product Warranty: 1 Year

UL Classification: Wet Location Listed

Operating Temp: -20°C to +40°C

<b>CONTRACTOR:</b>		<b>DATE:</b>
<b>PROJECT:</b>		<b>MODEL#: TASLL3**-LV</b>
<b>PREPARED BY:</b>		

## PERFORMANCE SPECIFICATIONS

**FIG. 3 - Co-efficient of Utilization**

**Effective Floor Cavity Reflectance - 0.20**

ρCC	80				70				50			30			10			0
	70	50	30	10	70	50	30	10	50	30	10	50	30	10	50	30	10	0
<b>RCR</b>																		
0	1.17	1.17	1.17	1.17	1.14	1.14	1.14	1.14	1.07	1.07	1.07	1.01	1.01	1.01	.96	.96	.96	.93
1	1.05	.99	.94	.90	1.01	.96	.92	.87	.91	.87	.83	.85	.82	.80	.81	.78	.76	.73
2	.94	.85	.77	.70	.91	.82	.75	.69	.77	.71	.66	.73	.68	.63	.69	.65	.51	.58
3	.84	.71	.62	.55	.80	.69	.61	.54	.65	.58	.52	.61	.55	.50	.58	.53	.48	.45
4	.75	.61	.51	.43	.72	.59	.50	.43	.56	.48	.41	.52	.45	.40	.49	.43	.38	.36
5	.67	.52	.41	.34	.64	.50	.40	.33	.47	.38	.32	.44	.37	.31	.41	.35	.30	.27
6	.60	.44	.34	.26	.57	.42	.33	.26	.40	.31	.25	.37	.30	.24	.35	.28	.23	.21
7	.53	.37	.27	.20	.51	.36	.26	.20	.34	.25	.19	.31	.24	.18	.30	.23	.17	.15
8	.48	.33	.23	.16	.46	.32	.22	.16	.30	.21	.15	.28	.20	.14	.26	.19	.14	.12
9	.44	.29	.19	.13	.42	.28	.19	.13	.26	.18	.12	.24	.17	.11	.23	.16	.11	.09
10	.40	.26	.16	.10	.39	.25	.16	.10	.23	.15	.10	.22	.14	.09	.20	.13	.09	.07

## LED SPECIFICATIONS

**LED Chip:** Hongli

**LED Type:** Array

**Colour Temperature:** 3000K

## ELECTRICAL SPECIFICATIONS

**Voltage:** 120 VAC

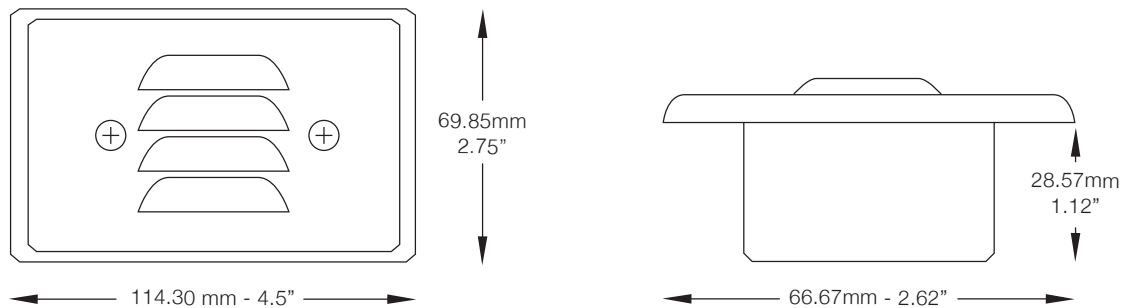
**Fixture Draw:** 0.55W ± 10%

**Power Factor:** 0.286 @ 120VAC

**Frequency:** 60 Hz

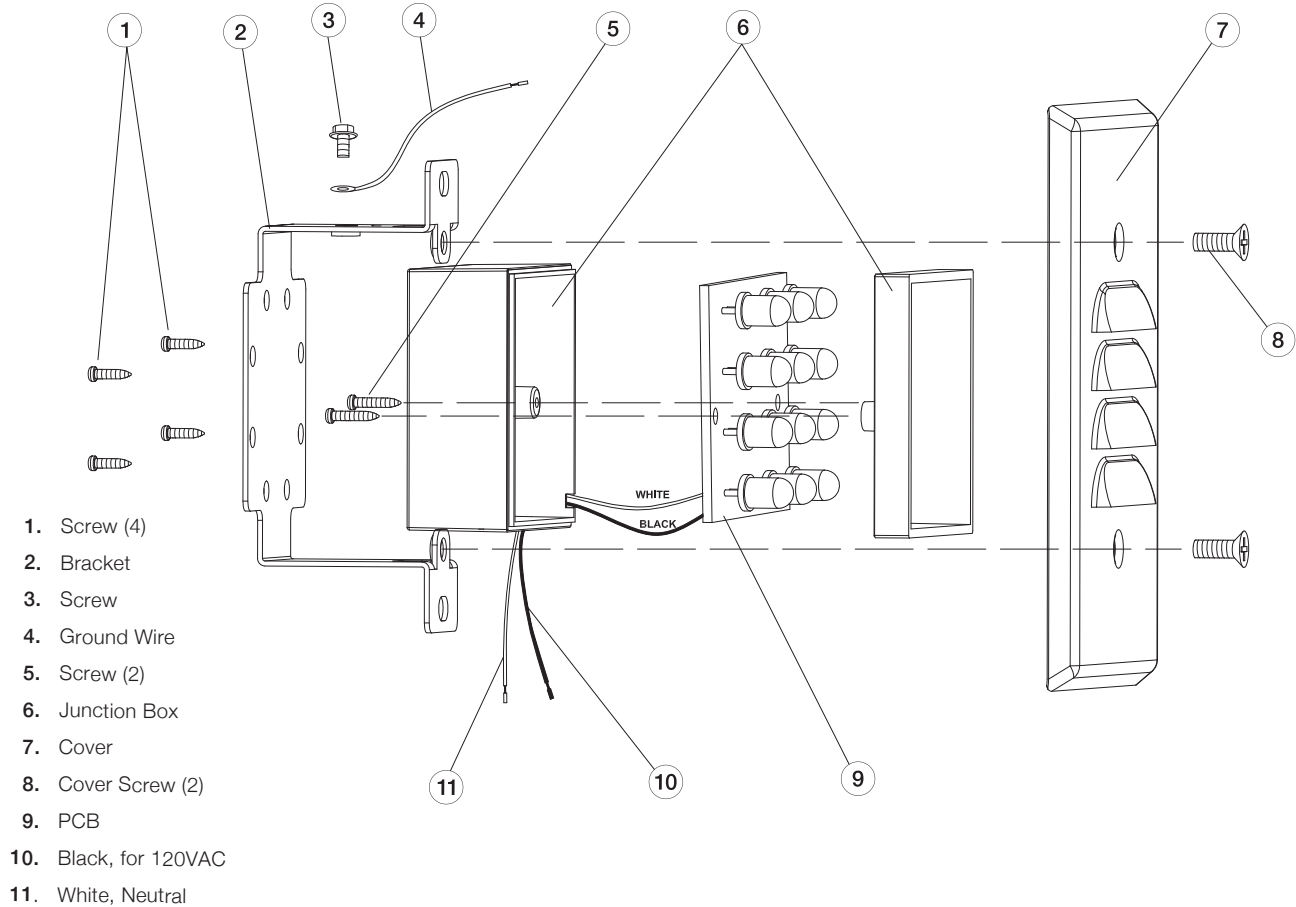
**Current Draw:** 0.016A

## LINE DRAWING



CONTRACTOR:	
PROJECT:	DATE:
PREPARED BY:	MODEL#: TASLL3**-LV

## LINE DRAWING



## PHYSICAL SPECIFICATIONS

**Colour(s):** White (WH),  
SS (Stainless Steel), Black (BK),  
Bronze (BZ)

**Finished Type:** Powder Coated Steel  
**Mounting:** Recessed  
**Housing Material:** Steel

**Lens Type:** Vertical Louvered,  
Horizontal Louvered or  
Open Diffused

## ORDERING INFORMATION

**Part Number:** TASLL3\*\*-LV

**Box Quantity:** 1

**Box Length:** 76mm - 2.99"  
**Box Width:** 44mm - 1.73"

**Box Height:** 120mm - 4.72"  
**Box Weight:** 0.23kg - 0.51lbs

**Carton Quantity:** 24

**Carton Length:** 270mm - 10.63"  
**Carton Width:** 255mm - 10.04"

**Carton Height:** 245mm - 9.65"  
**Carton Weight:** 5.40kg - 11.91lbs