

CONTRACTOR:	
PROJECT:	DATE:
PREPARED BY:	MODEL#: TLFL2005KY-UNV-XX

SERIES SPECIFICATIONS

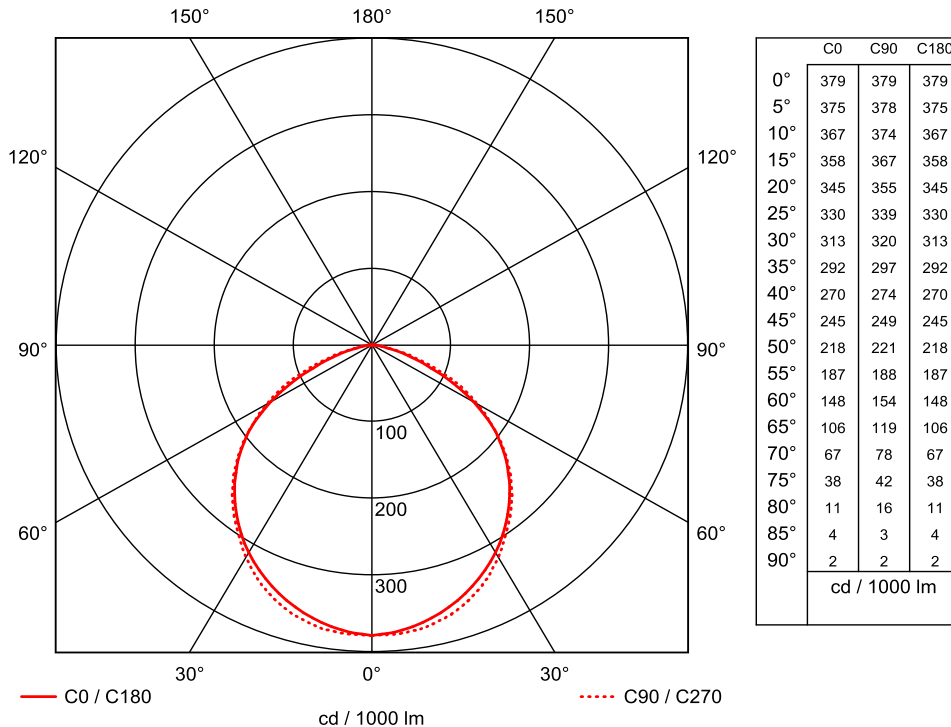


To supply and install TamLite TLWP series of LED fixtures as specified. The luminaire shall operate at 120VAC to 277VAC, and use a CITIZEN® approved driver. The housing shall be constructed of powder-coated aluminum with a hinged bolt-on case for replacement access and a tempered glass lens. A durable formed gasket shall be provided between the enclosure and the lens. The reflector shall be made of highly specular material and contoured to maximize light output efficiency. All parts shall be corrosion resistant. LEDs shall be as specified, CITIZEN® CLU048-1812 LED Chips. The LEDs shall be supplied with the luminaire. The fixture shall be c-UL-us approved.



PERFORMANCE SPECIFICATIONS

FIG. 1 - Luminance Distribution Chart



CONTRACTOR:	
PROJECT:	DATE:
PREPARED BY:	MODEL#: TLFL2005KY-UNV-XX

PERFORMANCE SPECIFICATIONS

Initial Lumen Output: 25348.0 lm
MBCP: 9583.0 cd
BUG Rating: B4-U3-G2

Efficacy: 130.0 lm/W
Limited Product Warranty: 5 Years
Anti-Corrosion Warranty: 5 Years

Operating Temp: -40°C to 40°C
Environmental Rating(s): IP65
Certification Standards: cULus, RoHS

LED SPECIFICATIONS

LED Chip: CITIZEN® CLU048-1812
R9: -19.52
Duv: 0.00500

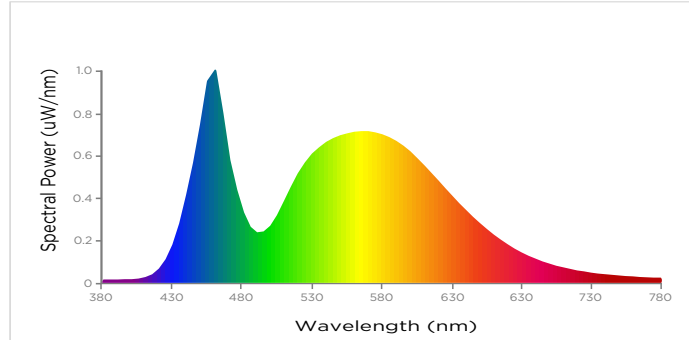
LED Type: COB
Colour Temperature: 5244K
Average Life: L₇₀(17k) > 102,000 hrs

CRI: Ra = 75.90
Chromaticity: x=0.3391; y=0.3567

FIG. 2 - Colour Rendering Indices

R1	72.57	R6	75.31	R11	66.15
R2	83.63	R7	84.48	R12	47.84
R3	89.06	R8	58.61	R13	75.44
R4	71.75	R9	-19.52	R14	93.49
R5	71.85	R10	58.35	R15	-

FIG. 3 - Spectral Distribution Diagram



ELECTRICAL SPECIFICATIONS

Voltage: 120-277VAC
Frequency: 60Hz
Fixture Draw: 192.28W

Current Draw: 1.6100A
Power Factor: 1.00

THD(%): 5.00% @ 120VAC; 13.00% @ 277VAC
Driver: Meanwell

PHYSICAL SPECIFICATIONS

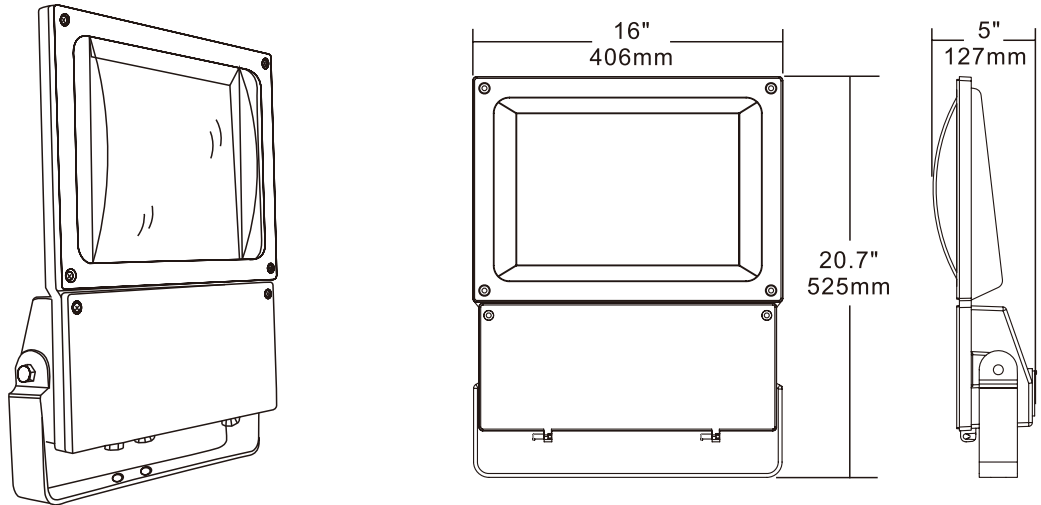
Colour(s): Architectural Bronze, White, Black, Grey
Mounting: Yoke Mount (Included) Pole Mount (Extra), Slip Fitter (Extra)
Housing Material: Die-Cast Aluminum

Finish Type: Textured Powder Coat over Chromate Conversion Coat
Reflector Material: Specular Aluminum

Wiring: 6' 18/3 SJTW Cord Whip
Lens Material: Tempered Borosilicate Glass
Lens Type: Clear

CONTRACTOR:	
PROJECT:	DATE:
PREPARED BY:	MODEL#: TLFL2005KY-UNV-XX

PHYSICAL SPECIFICATIONS



ORDERING INFORMATION

Part Number: TLFL2005KY-UNV-XX

Box Quantity: 1

Box Length: 59.06cm - 23.25"

Box Width: 46.36cm - 18.25"

Box Height: 20.96cm - 8.25"

Box Weight: 21.90lbs - 9.93kg

Optional Extras: TLFL-6PM (6" Pole Mount), TLFL-10PM (10" Pole Mount), TLFL-SF (Slipfitter)