

CONTRACTOR:	
PROJECT:	DATE:
PREPARED BY:	MODEL#: TLFLLED1205K-347V

SERIES SPECIFICATIONS

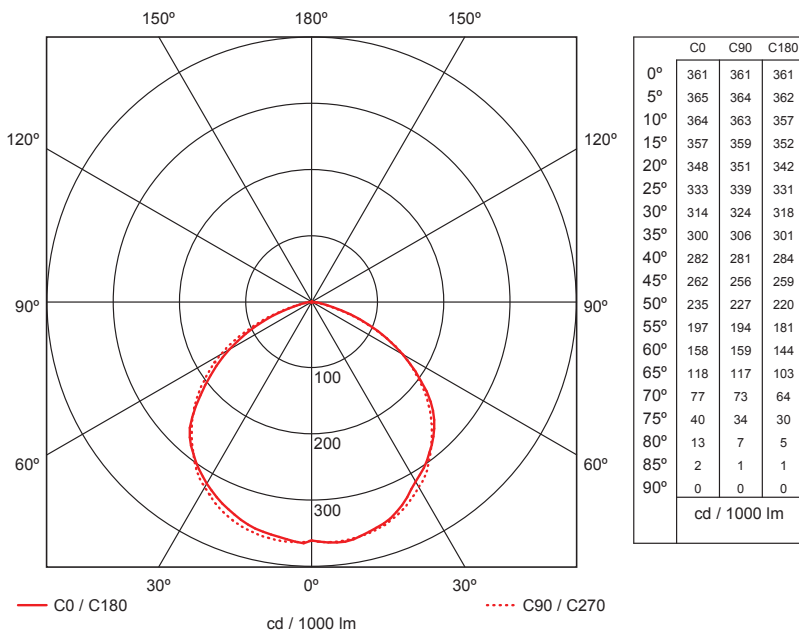


To supply and install TamLite TLFL series of LED fixtures as specified. The luminaire shall operate at 347VAC, and use a CREE® approved driver. The housing shall be constructed of powder-coated aluminum with a bolt-on case for replacement access and a tempered glass lens. A durable formed gasket shall be provided between the enclosure and the lens. The reflector shall be made of highly specular material and contoured to maximize light output efficiency. All parts shall be corrosion resistant. LEDs shall be as specified, CREE® CXA2540 LED Chips. The LEDs shall be supplied with the luminaire. The fixture shall be c-UL-us listed.



PERFORMANCE SPECIFICATIONS

FIG.1 - Luminance Distribution Chart



Initial Lumen Output - 12000 lm ± 10%

Efficacy - 100 lm/W

MBCP - 4785 cd

NEMA Type - 7H x 7V

Beam Angle - 113.1H x 111.5V

Field Angle - 149.0H x 149.6V

Environmental Rating(s) - IP65

Certification Standards - cULus, RoHS

Anti-Corrosion Warranty - 5 Years

Limited Product Warranty - 5 Years

Operating Temperature: -40 - +40C

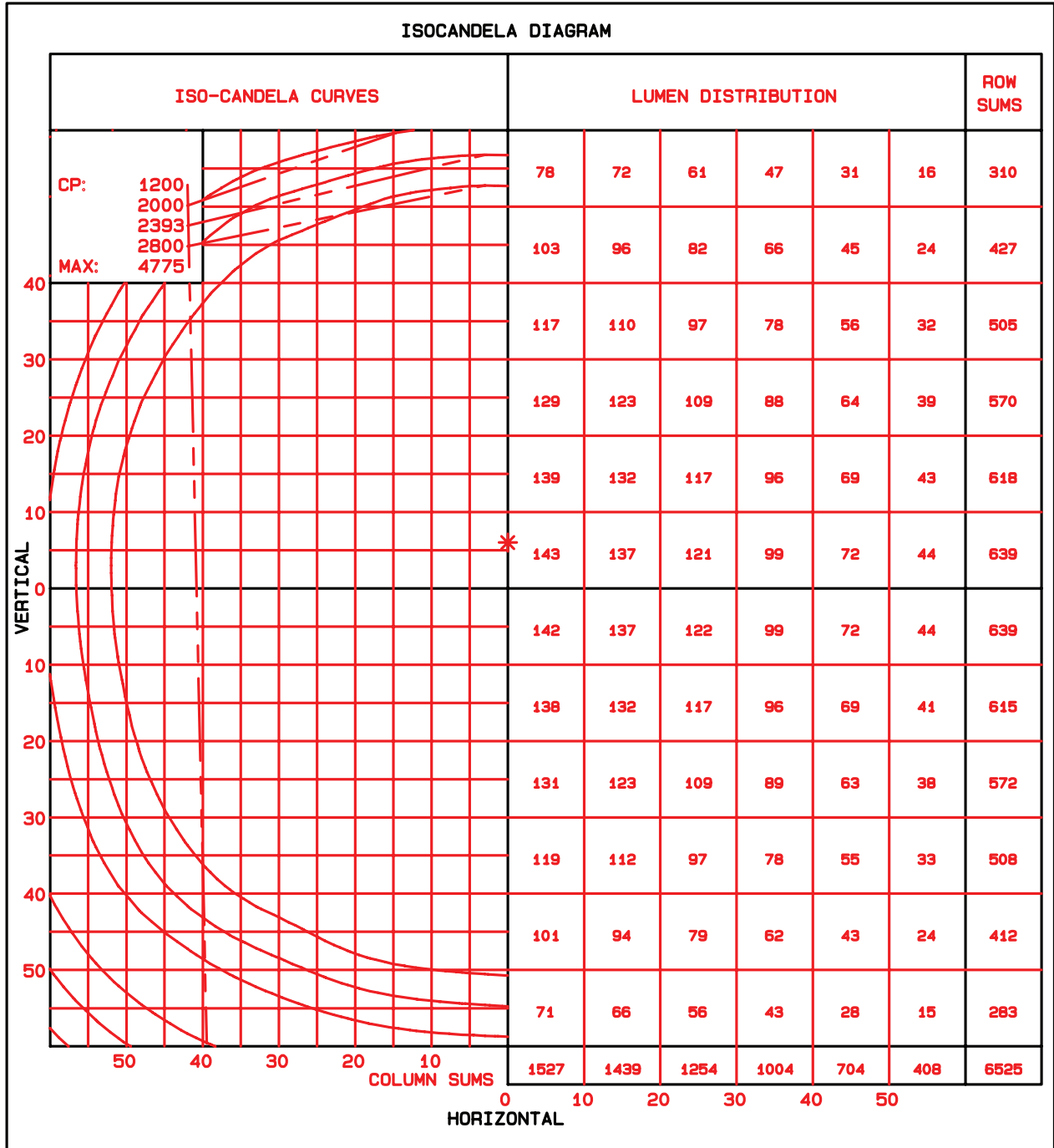
EPA: 1.875 Sq Feet

UL Classification: Wet Location Listed

CONTRACTOR:		DATE:
PROJECT:		MODEL#: TLFLLED1205K-347V
PREPARED BY:		

PERFORMANCE SPECIFICATIONS

FIG.2 - Isocandela Diagram



CONTRACTOR:	
PROJECT:	DATE:
PREPARED BY:	MODEL#: TLFLLED1205K-347V

PERFORMANCE SPECIFICATIONS

FIG.3 - Zonal Lumen Distribution

ZONE	PERCENTAGE (%)
0-10	3.45
10-20	10.02
20-30	15.41
30-40	18.87
40-50	19.72
50-60	17.15
60-70	11.2
70-80	3.91
80-90	0.26
90-100	0
100-110	0
110-120	0
120-130	0
130-140	0
140-150	0
150-160	0
160-170	0
170-180	0

ZONE	PERCENTAGE (%)
0-20	13.47
0-40	47.76
0-60	84.63
0-80	99.74
0-90	100
10-90	96.55
20-50	54.01
30-60	55.75
40-70	48.08
60-80	15.11
60-90	15.37
90-110	0
90-150	0
90-180	0
110-180	0
0-180	100

LED SPECIFICATIONS

FIG.4 - Colour Rendering Indices

R1	84.03	R8	64.74
R2	93.19	R9	16.88
R3	95.68	R10	83.70
R4	82.66	R11	81.97
R5	84.50	R12	72.02
R6	90.26	R13	86.56
R7	84.41	R14	98.35

LED Chip: CREE® CXA2540

LED Type: COB

CRI: Ra = 71.0

R9: -28.55

Nom. Colour Temperature: 5000K ± 8%

Chromaticity: x= 0.3520; y=0.3673

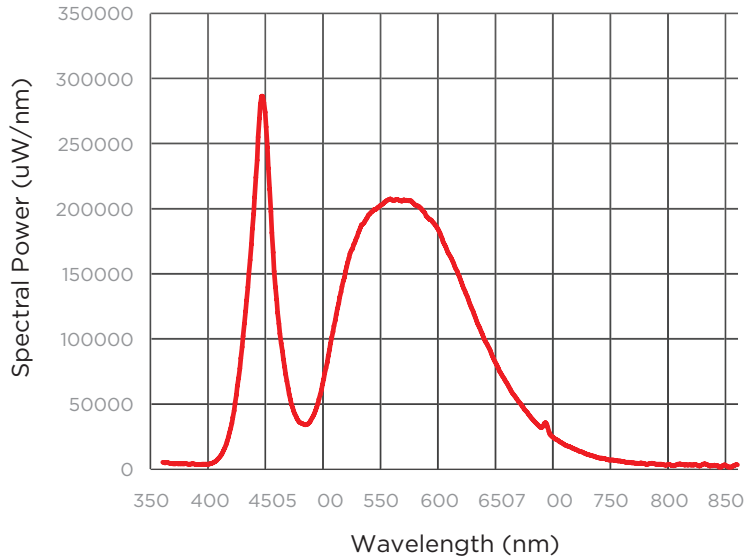
Duv: 0.005054

Average Life: L70(6K)>36,300hrs

CONTRACTOR:	
PROJECT:	DATE:
PREPARED BY:	MODEL#: TLFLLED1205K-347V

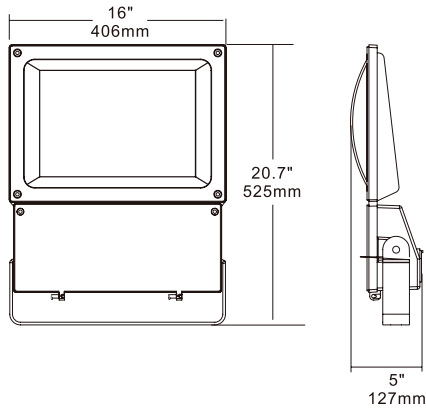
LED SPECIFICATIONS	ELECTRICAL SPECIFICATIONS
--------------------	---------------------------

FIG.5 - Spectral Distribution Diagram



Voltage - 347VAC
Frequency - 60 Hz
Fixture Draw - 120W ± 10%
Current Draw - 0.333A ± 10%
Power Factor - 0.9951
THD(%) - 6.95%
Driver - Meanwell

PHYSICAL SPECIFICATIONS



Colour(s): Architectural Bronze
Finish Type: Textured Powder Coat over Chromate Conversion Coat
Wiring: 6' 18/3 SJTW Cord Whip
Mounting: Yoke Mount (Included) Pole Mount, Slip Fitter (Extra)
Housing Material: Die-Cast Aluminum
Lens Material: Tempered Borosilicate Glass
Lens Type: Clear
Reflector Material: Specular Aluminum

ORDERING INFORMATION

Part Number: TLFLLED1205K-347V

Carton Length: 59.06-23.25"
Carton Width: 46.36-18.25"

Carton Height: 20.96-8.25"
Carton Weight: 26.62lbs

Optional Extras: TLFL-6PM (6" Pole Mount), TLFL-10PM (10" Pole Mount), TLFL-SF (Slipfitter)