

CONTRACTOR:		DATE:
PROJECT:		
PREPARED BY:	MODEL#: TLFLLED1205K	

SERIES SPECIFICATIONS

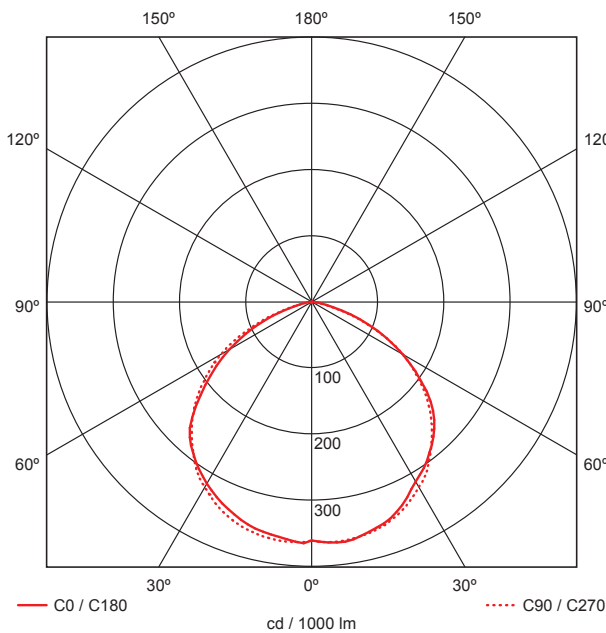


To supply and install TamLite TLFL series of LED fixtures as specified. The luminaire shall operate at 120VAC to 277VAC, and use a CREE® approved driver. The housing shall be constructed of powder-coated aluminum with a bolt-on case for replacement access and a tempered glass lens. A durable formed gasket shall be provided between the enclosure and the lens. The reflector shall be made of highly specular material and contoured to maximize light output efficiency. All parts shall be corrosion resistant. LEDs shall be as specified, CREE® CXA2540 LED Chips. The LEDs shall be supplied with the luminaire. The fixture shall be c-UL-us listed.



PERFORMANCE SPECIFICATIONS

FIG. 1 - Luminance Distribution Chart



	C0	C90	C180
0°	361	361	361
5°	365	364	362
10°	364	363	357
15°	357	359	352
20°	348	351	342
25°	333	339	331
30°	314	324	318
35°	300	306	301
40°	282	281	284
45°	262	256	259
50°	235	227	220
55°	197	194	181
60°	158	159	144
65°	118	117	103
70°	77	73	64
75°	40	34	30
80°	13	7	5
85°	2	1	1
90°	0	0	0
	cd / 1000 lm		

Initial Lumen Output: 12000 lm ± 10%

Efficacy: 105.6 lm/W

MBCP: 4785 cd

NEMA Type: 7H x 7V

Beam Angle: 113.1H x 111.5V

Field Angle: 149.0H x 149.6V

Environmental Rating(s): IP65

Certification Standards: cULus, RoHS

Anti-Corrosion Warranty: 5 Years

Limited Product Warranty: 5 Years

Operating Temperature: -40°C to 40°C

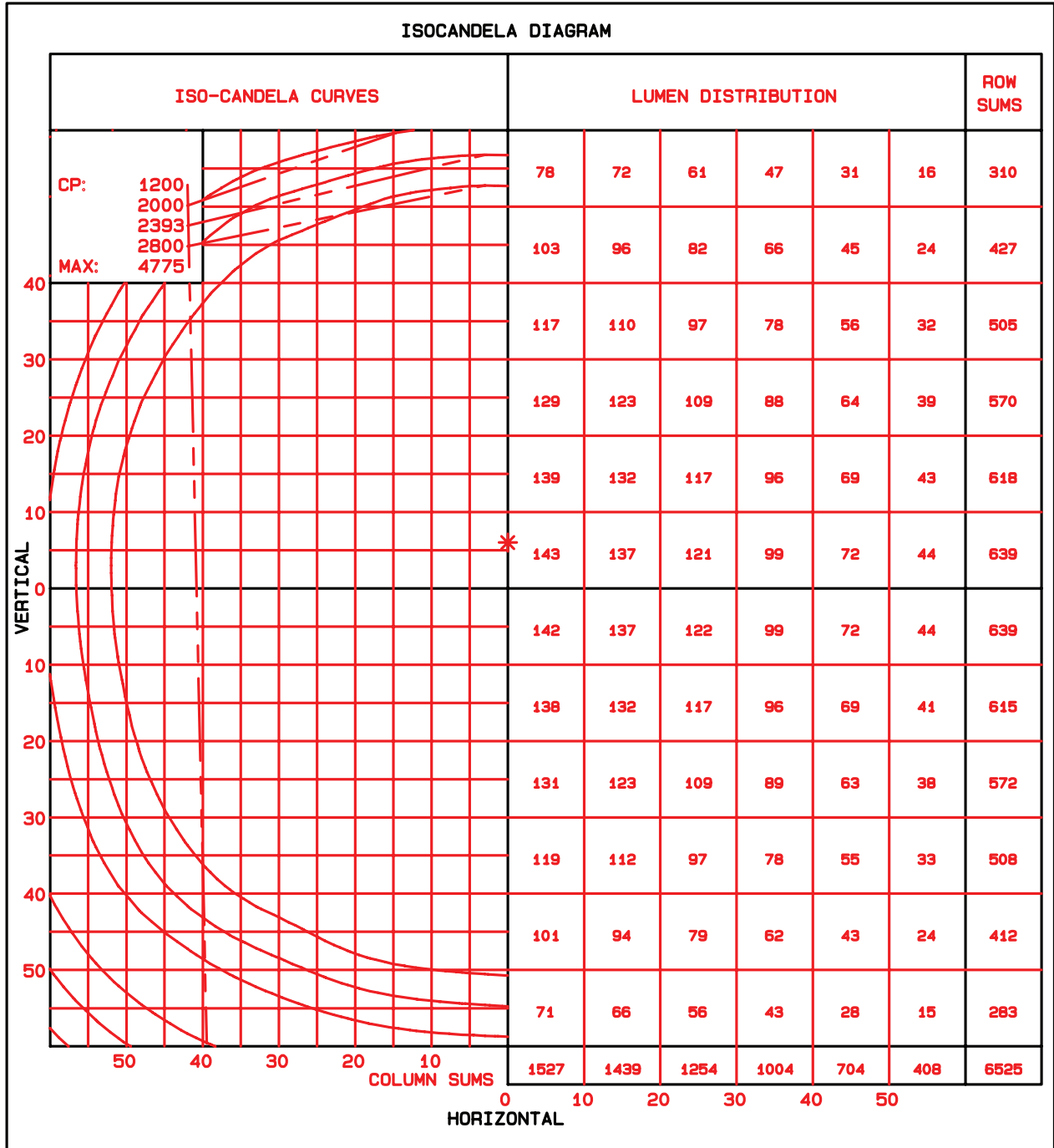
EPA: 1.875 Sq feet

UL Classification: Wet Location Listed

CONTRACTOR:		DATE:
PROJECT:		
PREPARED BY:	MODEL#: TLFLLED1205K	

PERFORMANCE SPECIFICATIONS

FIG. 2 - Isocandela Diagram



CONTRACTOR:	
PROJECT:	DATE:
PREPARED BY:	MODEL#: TLFLLED1205K

PERFORMANCE SPECIFICATIONS

FIG. 3 - Zonal Lumen Distribution

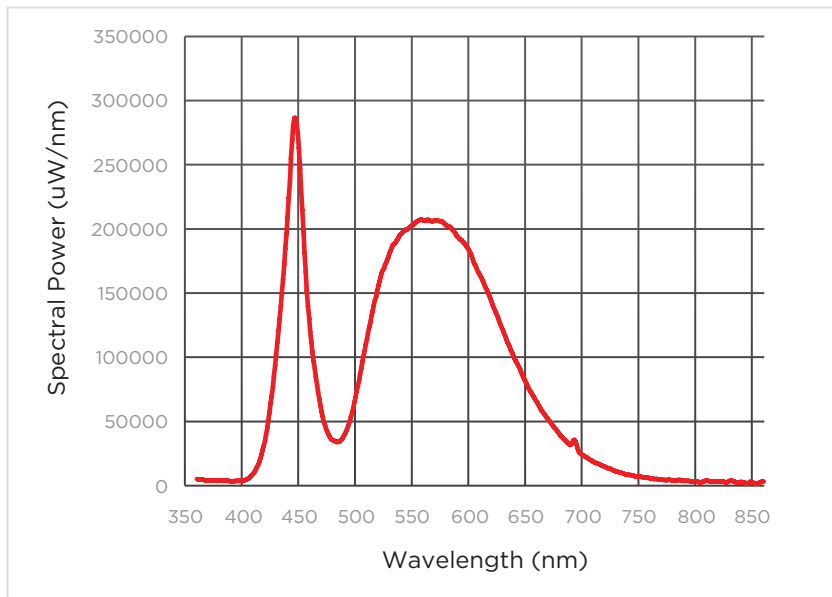
ZONE	PERCENTAGE (%)	ZONE	PERCENTAGE (%)
0-20	13.47	40-70	48.08
0-40	47.76	60-90	15.37
0-60	84.63	90-180	0
0-90	100	0-180	100

LED SPECIFICATIONS

FIG. 4 - Colour Rendering Indices

R1	68.19	R8	57.26
R2	75.19	R9	-28.55
R3	80.26	R10	40.85
R4	71.83	R11	67.72
R5	68.38	R12	39.41
R6	65.78	R13	68.73
R7	81.36	R14	88.74

FIG. 5 - Spectral Distribution Diagram



LED Chip: CREE® CXA2540
LED Type: COB
CRI: Ra = 71.03
R9: -28.55
Nom. Colour Temperature: 5000K
Chromaticity: x= 0.3520; y=0.3673
Duv: 0.005054
Average Life: L70(6K)>36,300 hrs

CONTRACTOR:	
PROJECT:	DATE:
PREPARED BY:	MODEL#: TLFLLED1205K

ELECTRICAL SPECIFICATIONS

Voltage - 120-277VAC

Frequency - 60 Hz

Fixture Draw - 120W ± 10%

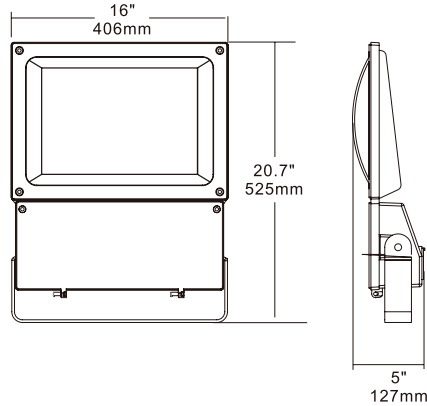
Current Draw: 1.0A ± 10% @ 120VAC

Power Factor: 0.9951

THD(%): 6.95%

Driver: Meanwell

PHYSICAL SPECIFICATIONS



Colour(s): Architectural Bronze

Finish Type: Textured Powder Coat over Chromate Conversion Coat

Wiring: 6' 18/3 SJTW Cord Whip

Mounting: Yoke Mount (Included) Pole Mount, Slip Fitter (Extra)

Housing Material: Die-Cast Aluminum

Lens Material: Tempered Borosilicate Glass

Lens Type: Clear

Reflector Material: Specular Aluminum

ORDERING INFORMATION

Part Number: TLFLLED1205K

Optional Extras: TLFL-6PM (6" Pole Mount), TLFL-10PM (10" Pole Mount), TLFL-SF (Slipfitter)

Box Length: 59.06cm - 23.25"

Box Width: 46.36cm - 18.25"

Box Height: 20.96cm - 8.25"

Box Weight: 21.20lbs - 9.61kg



The U.S. Department of Energy's LED Lighting Facts® Program has verified product performance based on industry-standardized testing.



For details, see: Tamlite Lighting

Model # TLFLLED1205K

www.lightingfacts.com/products