

CONTRACTOR:	
PROJECT:	DATE:
PREPARED BY:	MODEL#: TLFLLED1505K-347V

SERIES SPECIFICATIONS

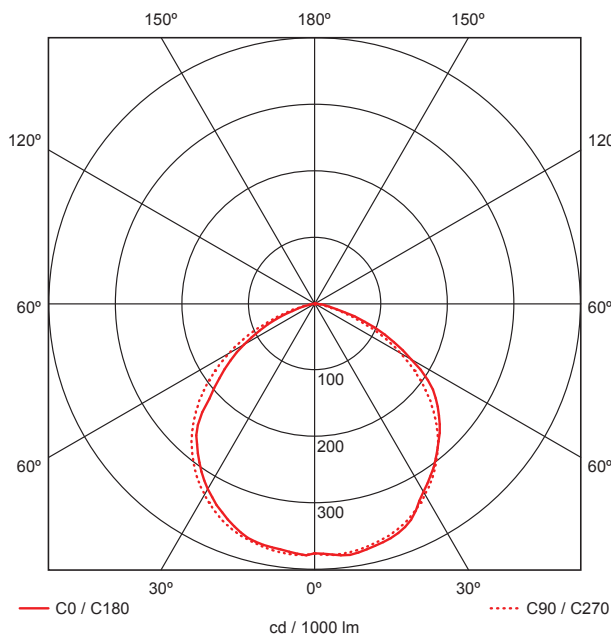


To supply and install TamLite TLFL series of LED fixtures as specified. The luminaire shall operate at 347-480VAC, and use a CREE® approved driver. The housing shall be constructed of powder-coated aluminum with a bolt-on case for replacement access and a tempered glass lens. A durable formed gasket shall be provided between the enclosure and the lens. The reflector shall be made of highly specular material and contoured to maximize light output efficiency. All parts shall be corrosion resistant. LEDs shall be as specified, CREE® CXA2540 LED Chips. The LEDs shall be supplied with the luminaire. The fixture shall be c-UL-us listed.



PERFORMANCE SPECIFICATIONS

FIG.1 - Luminance Distribution Chart



	C0	C90	C180
0°	375	375	375
5°	379	379	376
10°	380	376	372
15°	374	371	368
20°	367	362	356
25°	351	349	340
30°	327	332	322
35°	308	312	300
40°	287	288	276
45°	266	259	245
50°	241	226	198
55°	213	189	161
60°	168	149	123
65°	124	106	85
70°	80	65	49
75°	40	27	19
80°	15	7	4
85°	2	1	1
90°	0	0	0
	cd / 1000 lm		

Initial Lumen Output - 13900 lm ± 10%

Efficacy - 92.67 lm/W

MBCP - 5338 cd

NEMA Type - 7H x 7V

Beam Angle - 109.6H x 108.5V

Field Angle - 146.9H x 147.0V

Environmental Rating(s) - IP65

Certification Standards - cULus, RoHS

Anti-Corrosion Warranty - 5 Years

Limited Product Warranty - 5 Years

Operating Temperature: -40 - +40C

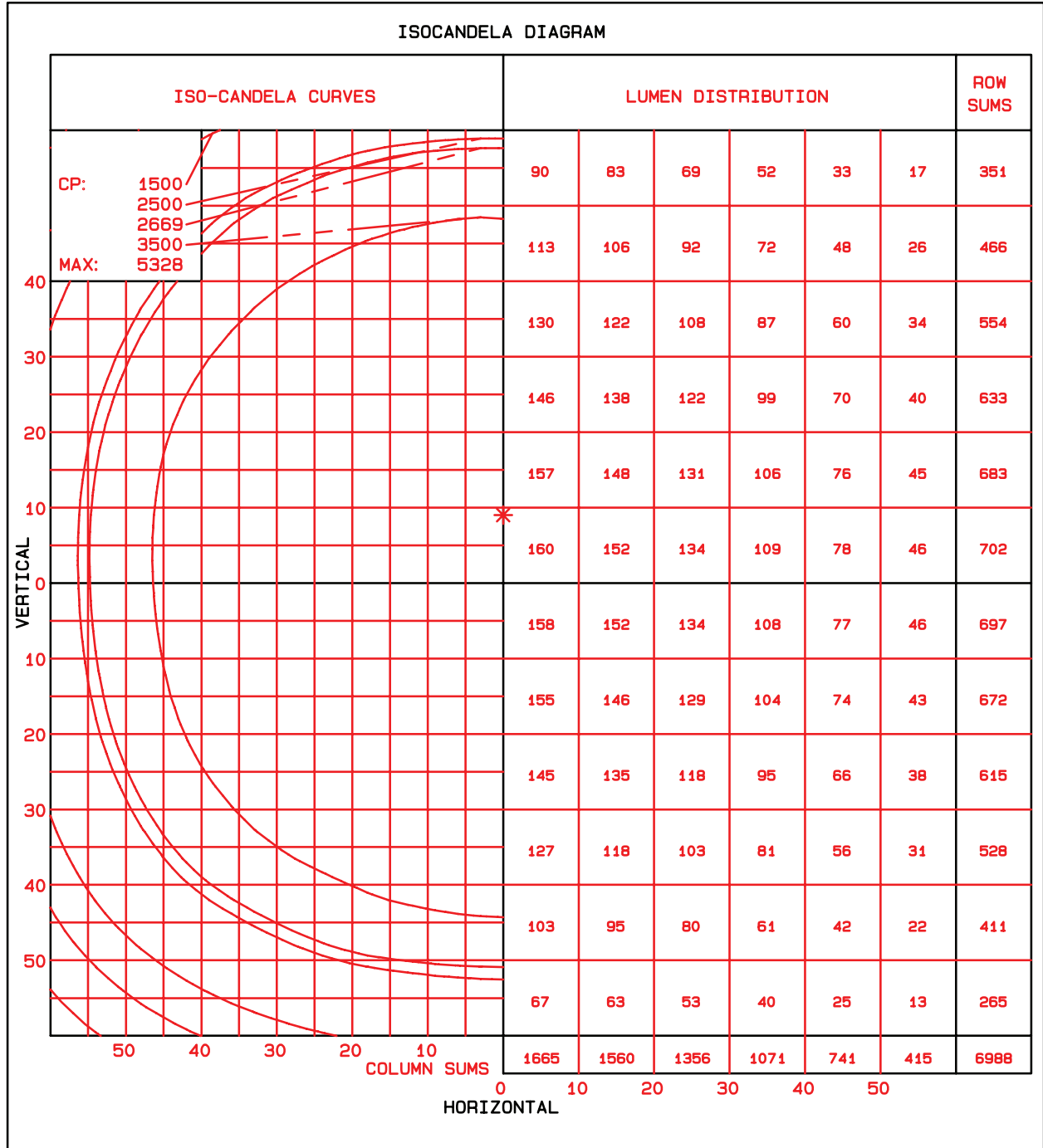
EPA: 1.875 Sq feet

UL Classification: Wet Location Listed

CONTRACTOR:		DATE:
PROJECT:		MODEL#: TLFLLED1505K-347V
PREPARED BY:		

PERFORMANCE SPECIFICATIONS

FIG.2 - Isocandela Diagram



CONTRACTOR:	
PROJECT:	DATE:
PREPARED BY:	MODEL#: TLFLLED1505K-347V

PERFORMANCE SPECIFICATIONS

FIG.3 - Zonal Lumen Distribution

ZONE	PERCENTAGE (%)
0-10	3.59
10-20	10.44
20-30	16
30-40	19.29
40-50	19.79
50-60	16.77
60-70	10.49
70-80	3.36
80-90	0.28

ZONE	PERCENTAGE (%)
90-100	0
100-110	0
110-120	0
120-130	0
130-140	0
140-150	0
150-160	0
160-170	0
170-180	0

LED SPECIFICATIONS

FIG.4 - Spectral Distribution Diagram

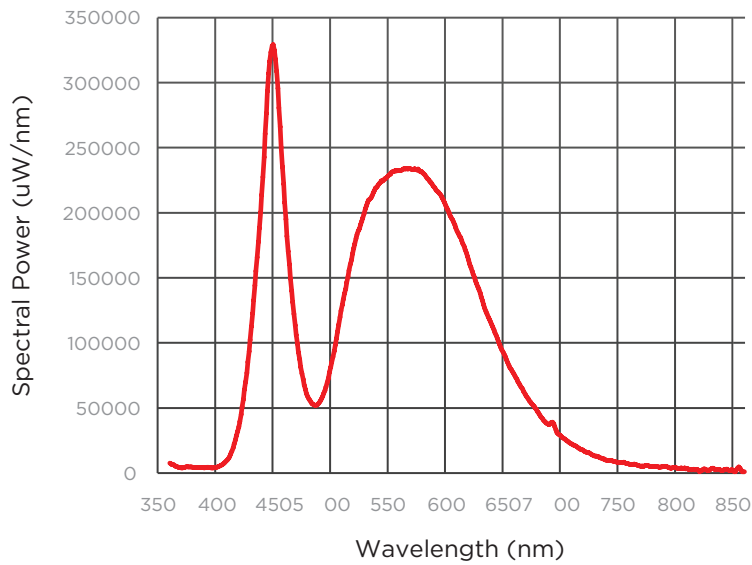


FIG.5 - Colour Rendering Indices

R1	71.76
R2	78.68
R3	82.33
R4	74.20
R5	72.12
R6	69.94
R7	82.38
R8	59.95
R9	-19.17
R10	47.80
R11	70.23
R12	46.45
R13	72.63
R14	89.82

LED Chip: CREE® CXA2540

R9: -19.17

Duv: 0.001961

LED Type: COB

Colour Temperature: 5000K ± 8%

Chromaticity: x= 0.3439; y=0.3545

CRI: Ra = 73.92

Chromaticity: x= 0.3439; y=0.3545

Average Life: L70(6K)>36,300 hrs

CONTRACTOR:	
PROJECT:	DATE:
PREPARED BY:	MODEL#: TLFLLED1505K-347V

ELECTRICAL SPECIFICATIONS

Voltage - 347-480VAC

Frequency - 60 Hz

Fixture Draw - 150W ± 10%

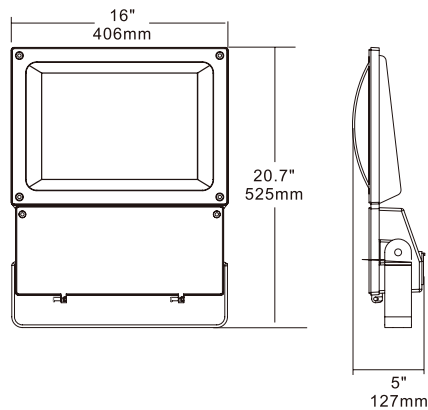
Current Draw - 0.416A ± 10% @ 347V

Power Factor - 0.995

THD(%) - 7.16%

Driver - Meanwell

PHYSICAL SPECIFICATIONS



Colour(s): Architectural Bronze

Finish Type: Textured Powder Coat over Chromate Conversion Coat

Wiring: 6' 18/3 SJTW Cord Whip

Mounting: Yoke Mount (Included) Pole Mount, Slip Fitter (Extra)

Housing Material: Die-Cast Aluminum

Lens Material: Tempered Borosilicate Glass

Lens Type: Clear

Reflector Material: Specular Aluminum

ORDERING INFORMATION

Part Number: TLFLLED1505K-347V

Box Length: 59.06cm - 23.25"

Box Width: 46.36 - 18.25"

Box Weight: 27.44lbs

Box Height: 20.96cm - 8.25"

Optional Extras: TLFL-6PM (6" Pole Mount), TLFL-10PM (10" Pole Mount), TLFL-SF (Slipfitter)