

CONTRACTOR:	
PROJECT:	DATE:
PREPARED BY:	MODEL#: TLFLLED2405K-347V

SERIES SPECIFICATIONS

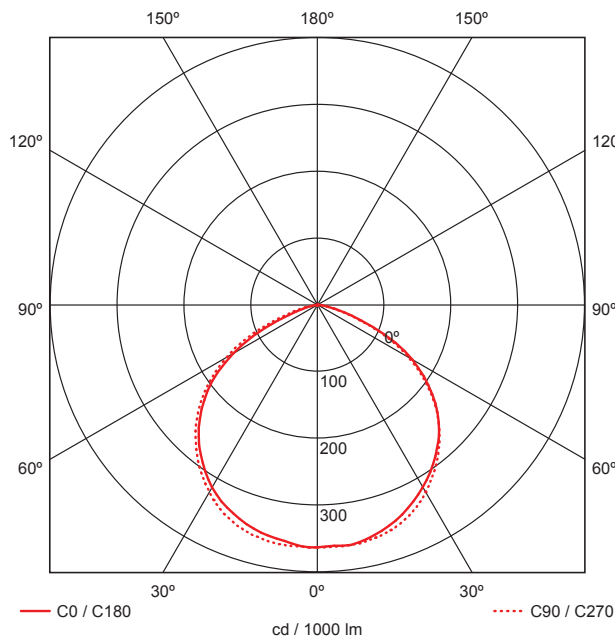


To supply and install TamLite TLFL series of LED fixtures as specified. The luminaire shall operate at 347VAC, and use a CREE® approved driver. The housing shall be constructed of powder-coated aluminum with a bolt-on case for replacement access and a tempered glass lens. A durable formed gasket shall be provided between the enclosure and the lens. The reflector shall be made of highly specular material and contoured to maximize light output efficiency. All parts shall be corrosion resistant. LEDs shall be as specified, CREE® CXA2540 LED Chips. The LEDs shall be supplied with the luminaire. The fixture shall be c-UL-us listed.



PERFORMANCE SPECIFICATIONS

FIG.1 - Luminance Distribution Chart



	C0	C90	C180
0°	363	363	363
5°	362	363	361
10°	361	362	355
15°	353	359	350
20°	344	352	341
25°	330	340	330
30°	315	324	316
35°	299	304	297
40°	279	283	276
45°	257	258	250
50°	230	229	221
55°	198	195	188
60°	164	158	146
65°	120	114	97
70°	70	68	46
75°	37	31	20
80°	8	9	4
85°	2	1	1
90°	0	0	0
cd / 1000 lm			

Initial Lumen Output - 21000 lm ± 10%

Efficacy - 86.78 lm/W

MBCP - 7776 cd

NEMA Type - 7H x 7V

Beam Angle - 113.1H x 112.9V

Field Angle - 148.3H x 146.6V

Environmental Rating(s) - IP65

Certification Standards - cULus, RoHS

Anti-Corrosion Warranty - 5 Years

Limited Product Warranty - 5 Years

Operating Temperature: -40 - +40C

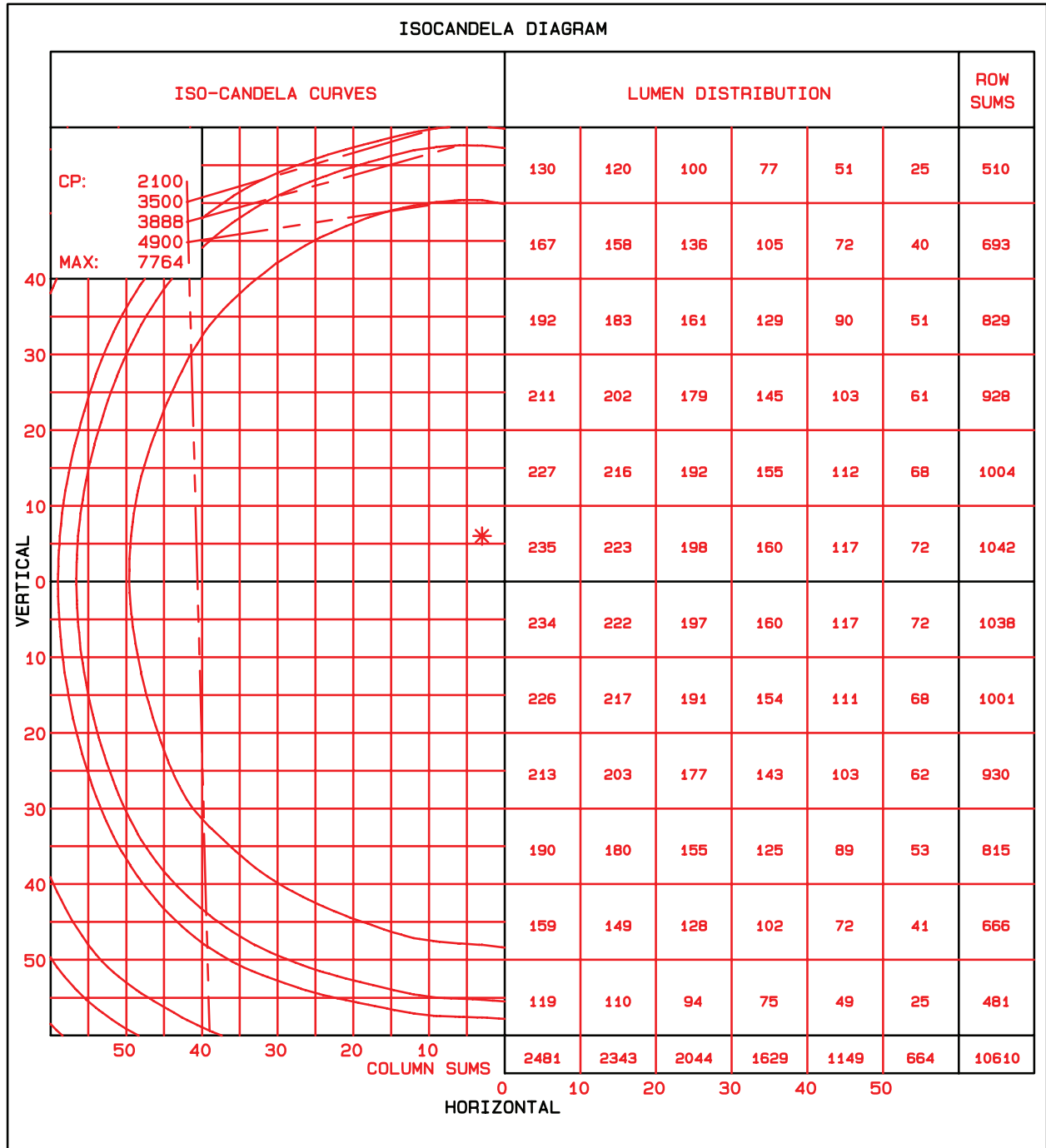
EPA: 1.875 Sq feet

UL Classification: Wet Location Listed

CONTRACTOR:	
PROJECT:	DATE:
PREPARED BY:	MODEL#: TLFLLED2405K-347V

PERFORMANCE SPECIFICATIONS

FIG.2 - Isocandela Diagram



CONTRACTOR:	
PROJECT:	DATE:
PREPARED BY:	MODEL#: TLFLLED2405K-347V

PERFORMANCE SPECIFICATIONS

FIG.3 - Zonal Lumen Distribution

ZONE	PERCENTAGE (%)	ZONE	PERCENTAGE (%)
0-10	3.47	90-100	0
10-20	10.06	100-110	0
20-30	15.49	110-120	0
30-40	18.9	120-130	0
40-50	19.7	130-140	0
50-60	17.22	140-150	0
60-70	11.29	150-160	0
70-80	3.62	160-170	0
80-90	0.25	170-180	0

LED SPECIFICATIONS

FIG. 4 - Spectral Distribution Diagram

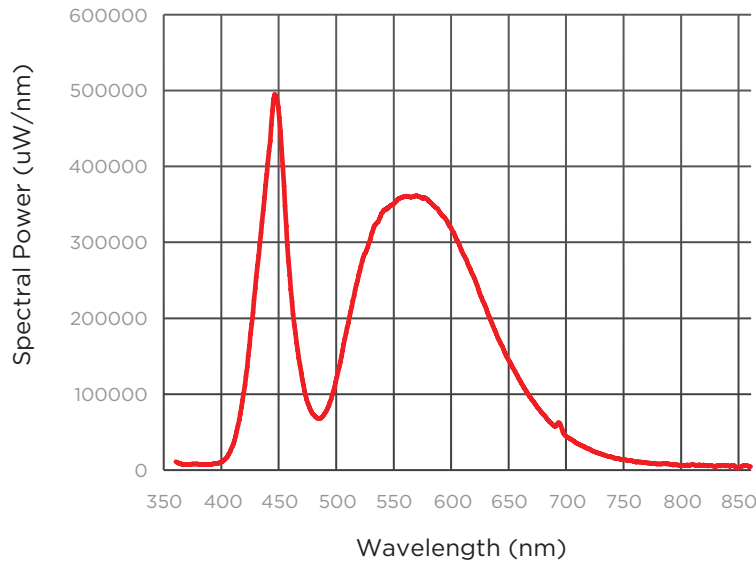


FIG. 5 - Colour Rendering Indices

R1	70.77
R2	76.13
R3	78.93
R4	73.47
R5	71.41
R6	67.26
R7	79.60
R8	59.48
R9	-20.98
R10	42.24
R11	70.72
R12	47.17
R13	70.72
R14	87.79

LED Chip: CREE® CXA2540

R9: -20.98

Duv: 0.000473

LED Type: COB

Colour Temperature: 5000K ± 8%

Average Life: L70(6K)>36,300 hrs

CRI: Ra = 72

Chromaticity: x= 0.3447; y=0.3522

CONTRACTOR:	
PROJECT:	DATE:
PREPARED BY:	MODEL#: TLFLLED2405K-347V

ELECTRICAL SPECIFICATIONS

Voltage - 347VAC

Frequency - 60 Hz

Fixture Draw - 242W ± 10%

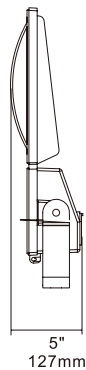
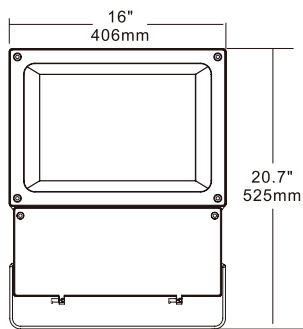
Current Draw - 0.696A ± 10%

Power Factor - 0.997

THD(%) - 5.22%

Driver - Meanwell

PHYSICAL SPECIFICATIONS



Colour(s): Architectural Bronze

Finish Type: Textured Powder Coat over Chromate Conversion Coat

Wiring: 6' 18/3 SJTW Cord Whip

Mounting: Yoke Mount (Included), Pole Mount, Slip Fitter (Extra)

Housing Material: Die-Cast Aluminum

Lens Material: Tempered Borosilicate Glass

Lens Type: Clear

Reflector Material: Specular Aluminum

ORDERING INFORMATION

Part Number: TLFLLED2405K-347V

Box Length: 59.06cm - 23.25"

Box Width: 46.36 - 18.25"

Box Weight: 27.50lbs

Box Height: 20.96cm - 8.25"

Optional Extras: TLFL-6PM (6" Pole Mount), TLFL-10PM (10" Pole Mount), TLFL-SF (Slipfitter)