

CONTRACTOR:	
PROJECT:	DATE:
PREPARED BY:	MODEL#: TLFLR1455KxN7-UNV-XX

SERIES SPECIFICATIONS



To supply and install TamLite TLFLR series of LED fixtures as specified. The luminaire shall operate at 120VAC to 277VAC, and use a CITIZEN® approved driver. The housing shall be constructed of powder-coated aluminum with a heat and impact resistant tempered glass lens. A durable formed gasket shall be provided between the enclosure and the lens. The reflector shall be made of highly specular material and contoured to maximize light output efficiency. All parts shall be corrosion resistant. LEDs shall be as specified, CITIZEN® CLU046-1818 LED Chips. The LEDs shall be supplied with the luminaire. The fixture shall be c-UL-us listed.



PERFORMANCE SPECIFICATIONS

FIG. 1 - Luminance Distribution Chart

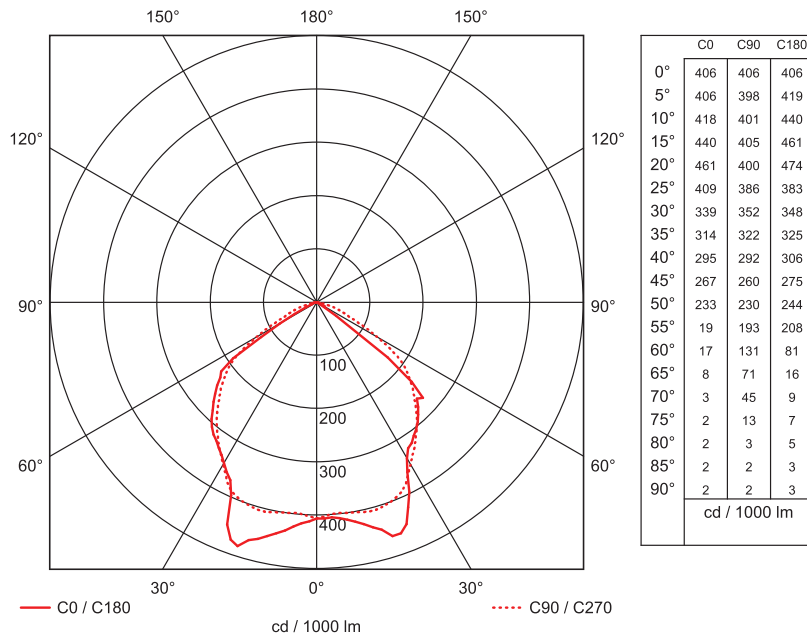


FIG. 2 - Zonal Lumen Summary

ZONE	PERCENTAGE	ZONE	PERCENTAGE	ZONE	PERCENTAGE	ZONE	PERCENTAGE
0-20	16.0%	0-90	99.9%	60-80	6.7%	90-130	0.1%
0-30	35.0%	10-90	96.0%	70-80	1.0%	90-150	0.1%
0-40	56.3%	20-40	40.3%	80-90	0.3%	90-180	0.1%
0-60	93.0%	20-50	61.4%	90-110	0.1%	110-180	0.0%
0-80	99.7%	40-70	42.3%	90-120	0.1%	0-180	100.0%

CONTRACTOR:	
PROJECT:	DATE:
PREPARED BY:	MODEL#: TLFLR1455KxN7-UNV-XX

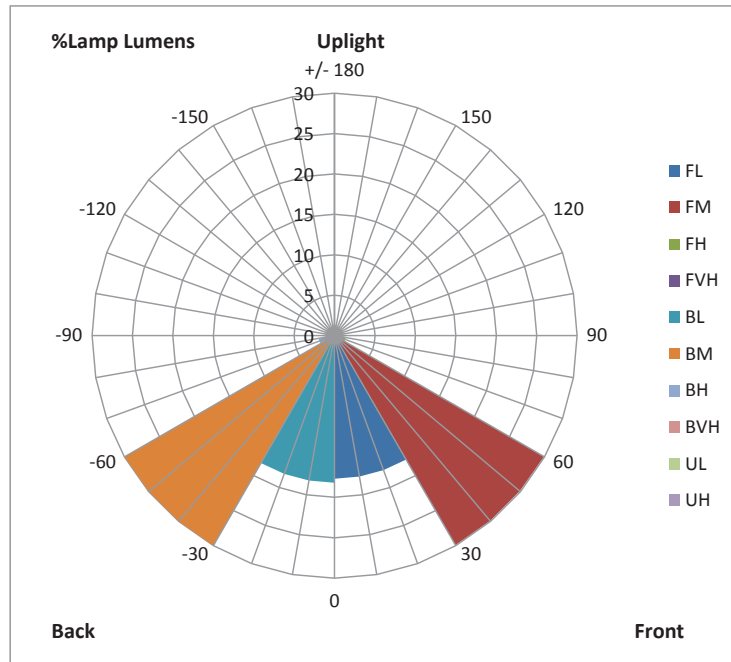
PERFORMANCE SPECIFICATIONS

Initial Lumen Output: 16491.66 lm
Efficacy: 113.0 lm/W
MBCP: 7810 cd
NEMA Type: 7H X 6V

Beam Angle (50%): 97.6H X 98.6V
Field Angle (10%): 136.9H X 117.4V
BUG Rating: B4-U2-G1
Environmental Rating: IP65

Certification Standards: cULus, RoHS, DLC
Anti-Corrosion Warranty: 5 Years
Limited Product Warranty: 5 Years

FIG. 3 - LCS Graph



TLFLR1455KxYY-UNV		
	Lumens	%Luminaire
FL - Front-Low (0-30)	2620.2	17.7
FM - Front-Medium (30-60)	4424.7	29.9
FH - Front-High (60-80)	208.1	1.4
FVH - Front-Very High (80-90)	12.5	0.1
BL - Back-Low (0-30)	2691.7	18.2
BM - Back-Medium (30-60)	4442.3	30.0
BH - Back-High (60-80)	295.5	2.0
BVH - Back-Very High (80-90)	20.2	0.1
UL - Uplight-Low (90-100)	26.5	0.2
UH - Uplight-High (100-180)	49.5	0.3
TOTAL	14791.3	100

LED SPECIFICATIONS

LED Chip: CITIZEN® CLU046-1818
LED Type: COB
Duv: 0.00388

CRI: 73.20
R9: -23.91
Average Life: L70(17k)>102,000hrs

Colour Temperature: 4975K
Chromaticity: x= 0.3466; y=0.3606

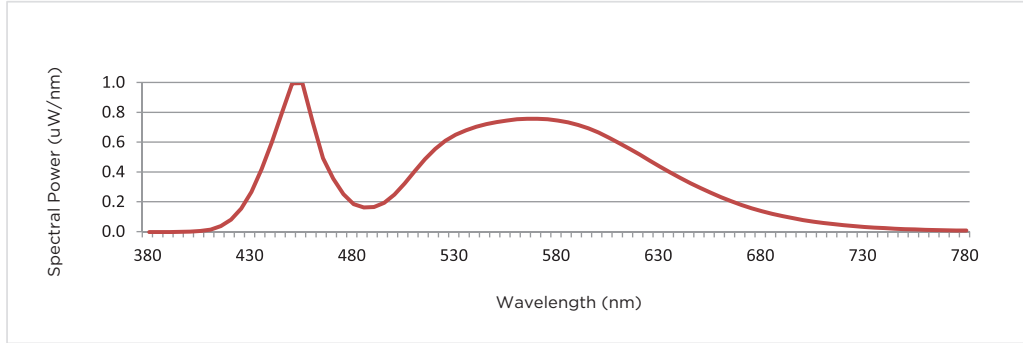
FIG. 4 - Colour Rendering Indices

R1	70.07	R8	58.44
R2	78.67	R9	-23.91
R3	83.76	R10	47.71
R4	72.16	R11	66.90
R5	69.45	R12	39.69
R6	69.09	R13	71.60
R7	84.07	R14	90.32

CONTRACTOR:		DATE:
PROJECT:		MODEL#: TLFLR1455KxN7-UNV-XX
PREPARED BY:		

PERFORMANCE SPECIFICATIONS

FIG. 5 - Spectral Power Distribution



ELECTRICAL SPECIFICATIONS

Voltage: 120-277VAC
Frequency: 60 Hz
Fixture Draw: 146.50W

Current Draw: 1.23A
Power Factor: 0.99

THD (%): 7%
Driver: Meanwell

PHYSICAL SPECIFICATIONS

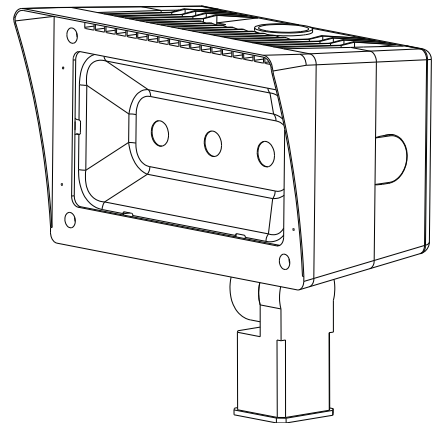
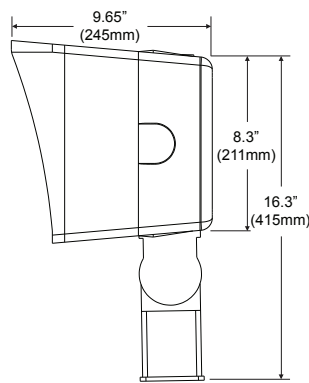
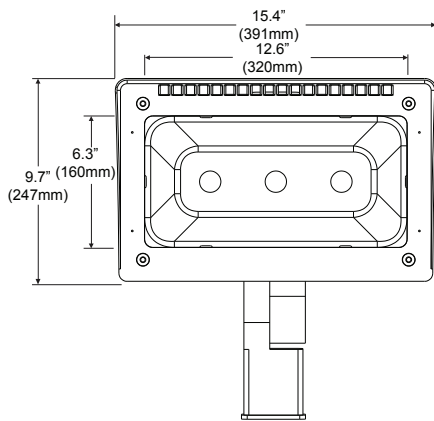
Colour(s): Architectural Bronze
Finished Type: Textured Powder Coat over Chromate Conversion Coat
Wiring: 6' 18/3 SJTW Cord Whip

Mounting: Slip Fitter Mount/Yoke Mount/Trunnion Mount
Housing Material: Die-Cast Aluminum
Lens Material: Tempered Borosilicate Glass

Lens Type: Clear
Reflector Material: Specular Aluminum

LINE DRAWING

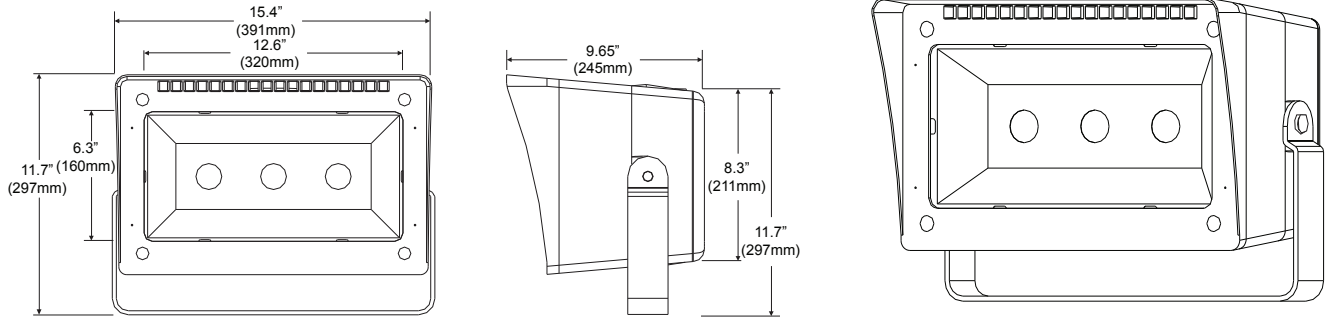
Slip Fitter Option



CONTRACTOR:		DATE:
PROJECT:		
PREPARED BY:	MODEL#: TLFLR1455KxN7-UNV-XX	

LINE DRAWING

Yoke Option



ORDERING INFORMATION

Part Number: TLFLR1455KxN7-UNV-xx

Box Length: 413mm - 16.25"

Box Width: 305mm - 12"

Box Height: 270mm - 10.62"

Optional Extras: TLFLR145-VS (Visor), TLFLR145-WG (Wire Guard)