

CONTRACTOR:	
PROJECT:	DATE:
PREPARED BY:	MODEL#: TLFLR2005KxN7-UN4

SERIES SPECIFICATIONS



To supply and install TamLite TLFLR series of LED fixtures as specified. The luminaire shall operate at 120VAC to 277VAC, and use a CITIZEN® approved driver. The housing shall be constructed of powder-coated aluminum with a heat and impact resistant tempered glass lens. A durable formed gasket shall be provided between the enclosure and the lens. The reflector shall be made of highly specular material and contoured to maximize light output efficiency. All parts shall be corrosion resistant. LEDs shall be as specified, CITIZEN® CLU046-1818 LED Chips. The LEDs shall be supplied with the luminaire. The fixture shall be c-UL-us listed and DLC Qualified.



PERFORMANCE SPECIFICATIONS

FIG. 1 - Luminance Distribution Chart

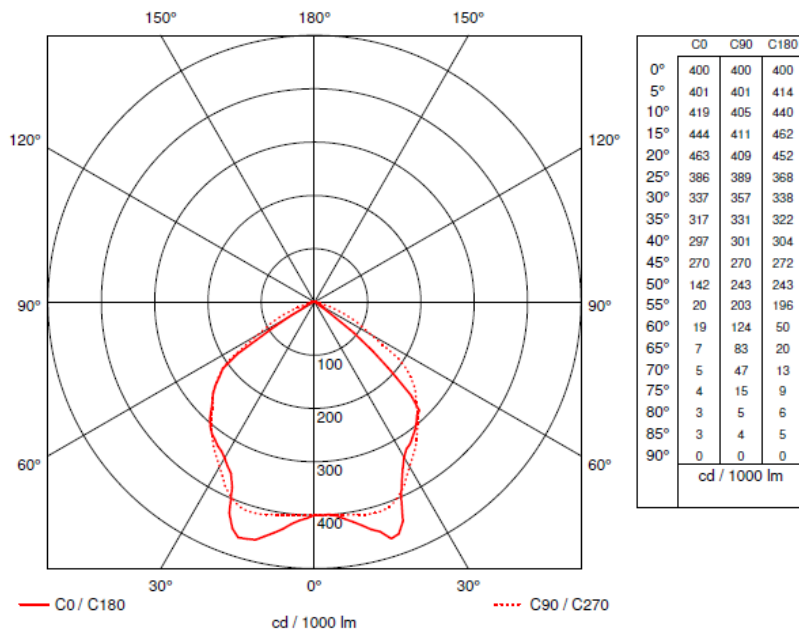


FIG. 2 - Zonal Lumen Summary

ZONE	PERCENTAGE	ZONE	PERCENTAGE	ZONE	PERCENTAGE	ZONE	PERCENTAGE
0-20	16.1%	0-90	100%	60-80	6.8%	90-130	0.1%
0-30	35.0%	10-90	96.1%	70-80	1.2%	90-150	0.1%
0-40	56.4%	20-40	40.3%	80-90	0.3%	90-180	0.1%
0-60	92.9%	20-50	61.5%	90-110	0.1%	110-180	0.0%
0-80	99.7%	40-70	42.1%	90-120	0.1%	0-180	100.0%

CONTRACTOR:	
PROJECT:	DATE:
PREPARED BY:	MODEL#: TLFLR2005KxN7-UN4

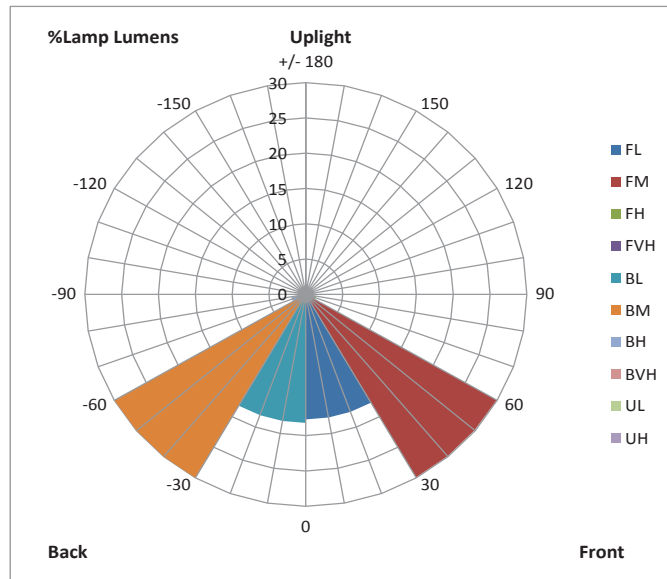
PERFORMANCE SPECIFICATIONS

Initial Lumen Output: 22,600 lm
Efficacy: 113.0 lm/W
Beam Angle (50%): 97.6H X 98.6V
Field Angle (10%): 136.9H X 117.4V

MBCP: 10,775 cd
NEMA Type: 5H X 5V
BUG Rating: B4-U2-G1
Environmental Rating: IP65

Certification Standards: cULus, RoHS, DLC
Anti-Corrosion Warranty: 5 Years
Limited Product Warranty: 5 Years

FIG. 3 - LCS Graph



TLFLR1454KxN5-UNV-XX	
	%Luminaire
FL - Front-Low (0-30)	17.7
FM - Front-Medium (30-60)	29.9
FH - Front-High (60-80)	1.4
FVH - Front-Very High (80-90)	0.1
BL - Back-Low (0-30)	18.2
BM - Back-Medium (30-60)	30.0
BH - Back-High (60-80)	2.0
BVH - Back-Very High (80-90)	0.1
UL - Uplight-Low (90-100)	0.2
UH - Uplight-High (100-180)	0.3
TOTAL	100

LED SPECIFICATIONS

LED Chip: CITIZEN® CLU046-1818
LED Type: COB
Average Life: L₇₀(17k) > 102,000 hrs

CRI: 72.00
R9: -27.93
Duv: 0.00378

Colour Temperature: 3000K
Chromaticity: x= 0.3798; y=0.3845

FIG. 4 - Colour Rendering Indices

R1	68.88	R6	68.73	R11	66.62
R2	78.13	R7	82.15	R12	41.16
R3	85.41	R8	53.84	R13	70.19
R4	71.52	R9	-27.93	R14	91.35
R5	68.08	R10	47.89	R15	--

CONTRACTOR:	
PROJECT:	DATE:
PREPARED BY:	MODEL#: TLFLR2005KxN7-UN4

ELECTRICAL SPECIFICATIONS

Voltage: 347VAC
Frequency: 60 Hz
Fixture Draw: 200W

Current Draw: 1.23A
Power Factor: 0.93
Driver: Meanwell

THD (%): 10% @ 347VAC

PHYSICAL SPECIFICATIONS

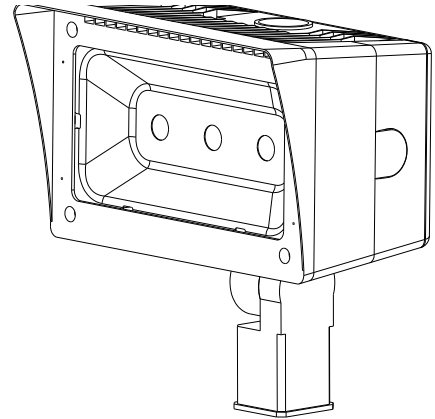
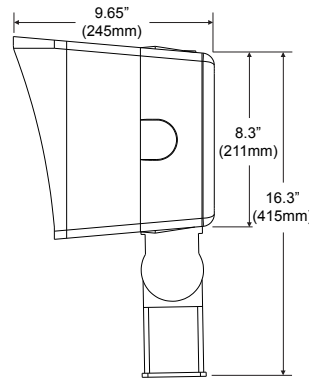
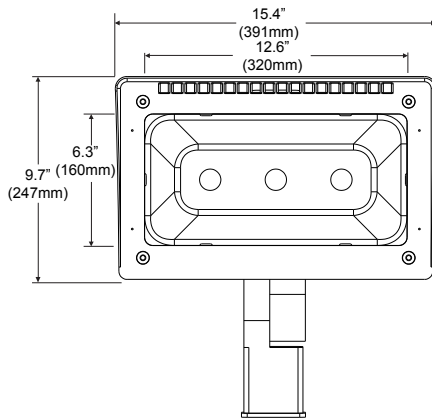
Colour(s): Architectural Bronze
Finished Type: Textured Powder Coat over Chromate Conversion Coat
Lens Type: Clear

Mounting: Slip Fitter Mount/Yoke Mount
Housing Material: Die-Cast Aluminum
Wiring: 6' 18/3 SJTW Cord Whip

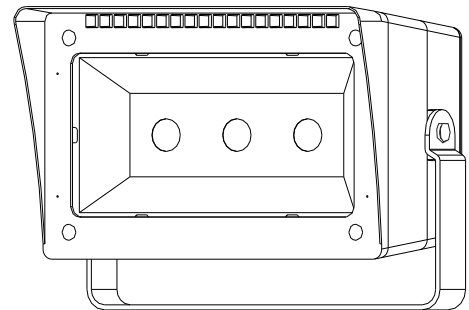
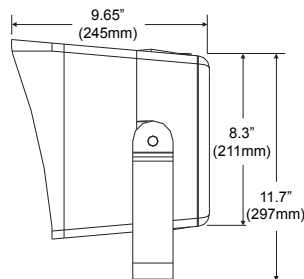
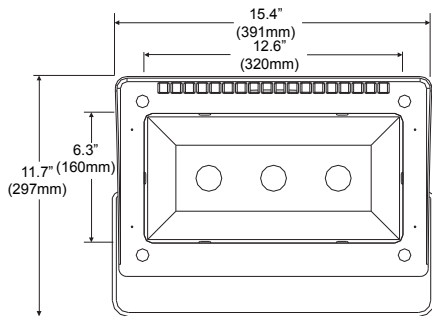
Reflector Material: Specular Aluminum
Lens Material: Tempered Borosilicate Glass

LINE DRAWING

Slip Fitter Option



Yoke Option





CONTRACTOR:	
PROJECT:	DATE:
PREPARED BY:	MODEL#: TLFLR2005KxN7-UN4

ORDERING INFORMATION

Part Number: TLFLR2005KxN7-UN4

Box Length: 413mm - 16.25"

Box Width: 305mm - 12"

Box Height: 270mm - 10.62"

Optional Extras: TLFLR145-VS (Visor), TLFLR145-WG (Wire Guard)