

<b>CONTRACTOR:</b>	
<b>PROJECT:</b>	<b>DATE:</b>
<b>PREPARED BY:</b>	<b>MODEL#:</b> TLFLR2005KxN7-UNV

## SERIES SPECIFICATIONS



To supply and install TamLite TLFLR series of LED fixtures as specified. The luminaire shall operate at 120VAC to 277VAC, and use a CITIZEN® approved driver. The housing shall be constructed of powder-coated aluminum with a heat and impact resistant tempered glass lens. A durable formed gasket shall be provided between the enclosure and the lens. The reflector shall be made of highly specular material and contoured to maximize light output efficiency. All parts shall be corrosion resistant. LEDs shall be as specified, CITIZEN® CLU046-1818 LED Chips. The LEDs shall be supplied with the luminaire. The fixture shall be c-UL-us listed and DLC Qualified.



## PERFORMANCE SPECIFICATIONS

FIG. 1 - Luminance Distribution Chart

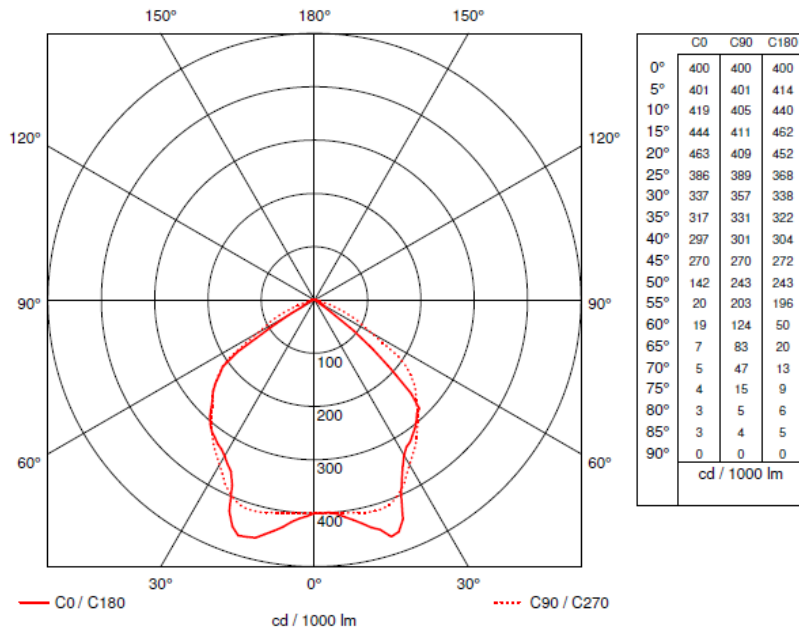


FIG. 2 - Zonal Lumen Summary

ZONE	PERCENTAGE	ZONE	PERCENTAGE	ZONE	PERCENTAGE	ZONE	PERCENTAGE
0-20	16.1%	0-90	100%	60-80	6.8%	90-130	0.1%
0-30	35.0%	10-90	96.1%	70-80	1.2%	90-150	0.1%
0-40	56.4%	20-40	40.3%	80-90	0.3%	90-180	0.1%
0-60	92.9%	20-50	61.5%	90-110	0.1%	110-180	0.0%
0-80	99.7%	40-70	42.1%	90-120	0.1%	0-180	100.0%

<b>CONTRACTOR:</b>	
<b>PROJECT:</b>	<b>DATE:</b>
<b>PREPARED BY:</b>	<b>MODEL#:</b> TLFLR2005KxN7-UNV

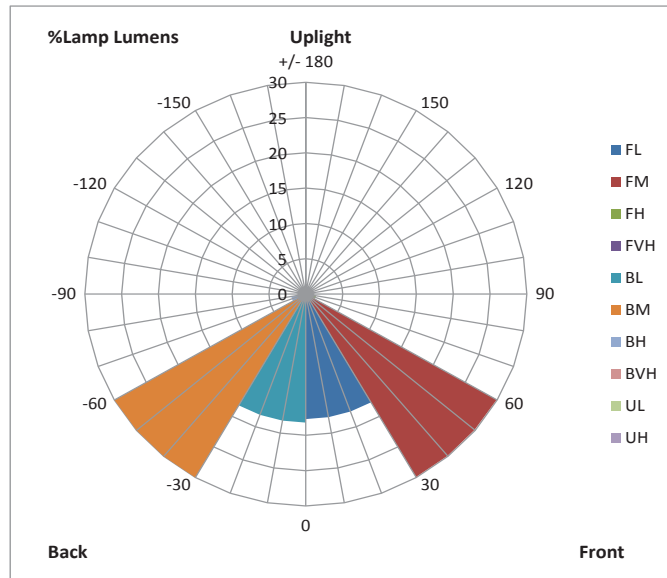
## PERFORMANCE SPECIFICATIONS

**Initial Lumen Output:** 24733.56 lm  
**Efficacy:** 124 lm/W  
**MBCP:** 11498 cd  
**NEMA Type:** 7H X 6V

**Beam Angle (50%):** 100.7H X 96.0V  
**Field Angle (10%):** 139.6H X 117.5V  
**BUG Rating:** B5-U0-G2  
**Environmental Rating:** IP65

**Certification Standards:** cULus, RoHS,  
**Anti-Corrosion Warranty:** 5 Years  
**Limited Product Warranty:** 5 Years

FIG. 3 - LCS Graph



TLFLR2005KYN7-UNV		
	Lumens	%Luminaire
FL - Front-Low (0-30)	4254.1	17.2
FM - Front-Medium (30-60)	6925.4	28.0
FH - Front-High (60-80)	7172.7	2.9
FVH - Front-Very High (80-90)	24.7	0.1
BL - Back-Low (0-30)	4229.4	17.1
BM - Back-Medium (30-60)	7296.4	29.5
BH - Back-High (60-80)	1236.7	5.0
BVH - Back-Very High (80-90)	49.5	0.2
UL - Uplight-Low (90-100)	0	0
UH - Uplight-High (100-180)	0	0
TOTAL	31188.9	100

## LED SPECIFICATIONS

**LED Chip:** CITIZEN® CLU046-1818  
**LED Type:** COB  
**Duv:** 0.00431

**CRI:** 72.00  
**R9:** -28.26  
**Average Life:** L<sub>70</sub>(17k) > 102,000 hrs

**Colour Temperature:** 5000K  
**Chromaticity:** x= 0.3838; y=0.3882

FIG. 5 - Colour Rendering Indices

<b>R1</b>	68.55	<b>R6</b>	69.22	<b>R11</b>	63.76
<b>R2</b>	79.03	<b>R7</b>	82.84	<b>R12</b>	38.61
<b>R3</b>	86.66	<b>R8</b>	53.02	<b>R13</b>	70.35
<b>R4</b>	70.00	<b>R9</b>	-28.26	<b>R14</b>	92.01
<b>R5</b>	67.15	<b>R10</b>	49.22	<b>R15</b>	--

<b>CONTRACTOR:</b>	
<b>PROJECT:</b>	<b>DATE:</b>
<b>PREPARED BY:</b>	<b>MODEL#:</b> TLFLR2005KxN7-UNV

## ELECTRICAL SPECIFICATIONS

**Voltage:** 120-277VAC  
**Frequency:** 60 Hz  
**Fixture Draw:** 199.84W

**Current Draw:** 1.67A  
**Power Factor:** 1  
**Driver:** Meanwell

**THD (%):** 7% @ 120VAC;  
 14% @ 277VAC

## PHYSICAL SPECIFICATIONS

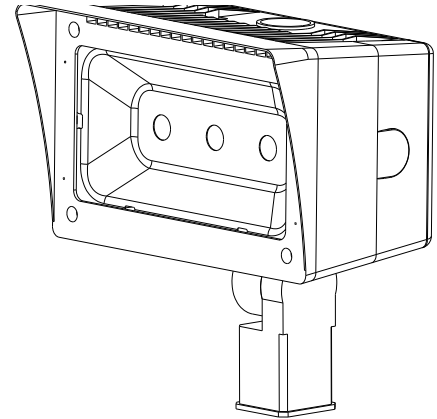
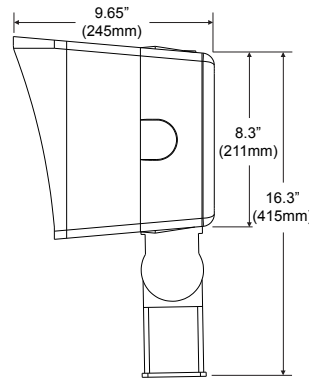
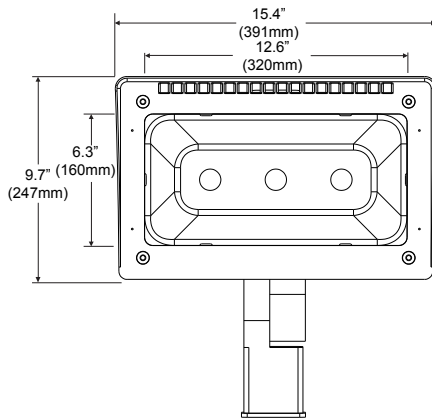
**Colour(s):** Architectural Bronze  
**Finished Type:** Textured Powder Coat over Chromate Conversion Coat  
**Lens Type:** Clear

**Mounting:** Slip Fitter Mount/Yoke Mount  
**Housing Material:** Die-Cast Aluminum  
**Wiring:** 6' 18/3 SJTW Cord Whip

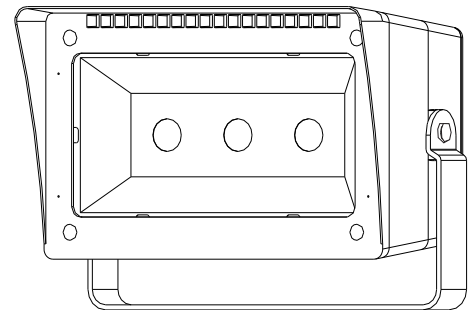
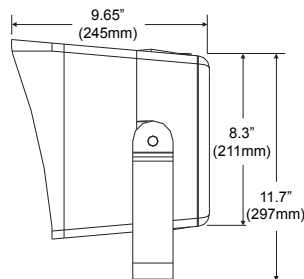
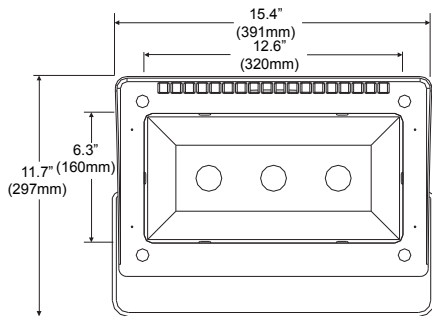
**Reflector Material:** Specular Aluminum  
**Lens Material:** Tempered Borosilicate Glass

## LINE DRAWING

### Slip Fitter Option



### Yoke Option





<b>CONTRACTOR:</b>	
<b>PROJECT:</b>	<b>DATE:</b>
<b>PREPARED BY:</b>	<b>MODEL#:</b> TLFLR2005KxN7-UNV

**ORDERING INFORMATION**

**Part Number:** TLFLR2005KxN7-UNV

**Box Length:** 413mm - 16.25"

**Box Width:** 305mm - 12"

**Box Height:** 270mm - 10.62"

**Optional Extras:** TLFLR145-VS (Visor), TLFLR145-WG (Wire Guard)