

<b>CONTRACTOR:</b>	
<b>PROJECT:</b>	<b>DATE:</b>
<b>PREPARED BY:</b>	<b>MODEL#:</b> TLFLR3455KXN7-UN4

## SERIES SPECIFICATIONS



To supply and install TamLite TLFLR series of LED fixtures as specified. The luminaire shall operate at 347VAC to 480VAC, and use a CITIZEN® approved driver. The housing shall be constructed of powder-coated aluminum with a heat and impact resistant tempered glass lens. A durable formed gasket shall be provided between the enclosure and the lens. The reflector shall be made of highly specular material and contoured to maximize light output efficiency. All parts shall be corrosion resistant. LEDs shall be as specified, CITIZEN® CLU046-1818 LED Chips. The LEDs shall be supplied with the luminaire. The fixture shall be c-UL-us listed.



## PERFORMANCE SPECIFICATIONS

FIG. 1 - Luminance Distribution Chart

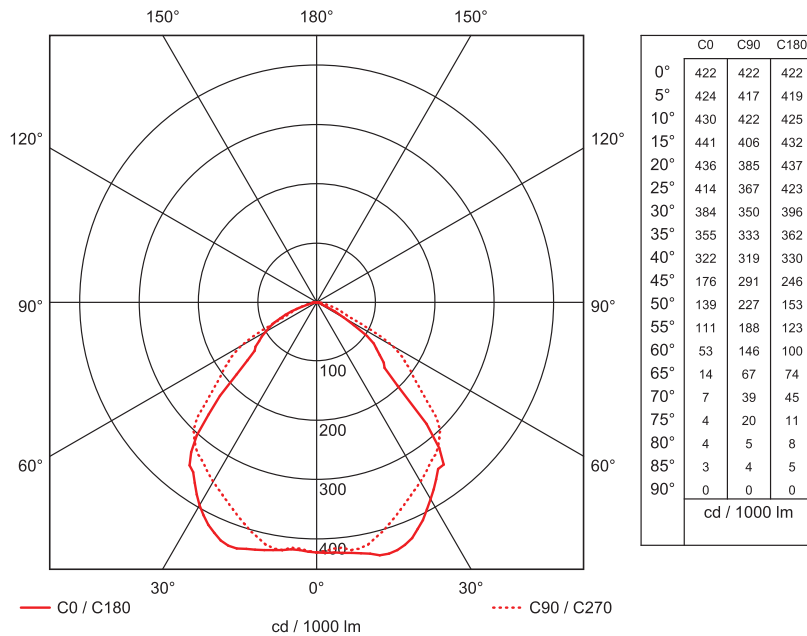


FIG. 2 - Zonal Lumen Summary

ZONE	PERCENTAGE	ZONE	PERCENTAGE	ZONE	PERCENTAGE	ZONE	PERCENTAGE
0-20	16.0%	0-90	100.0%	60-80	7.9%	90-130	0.0%
0-30	34.3%	10-90	96.0%	70-80	1.5%	90-150	0.0%
0-40	56.5%	20-40	40.6%	80-90	0.4%	90-180	0.0%
0-60	91.8%	20-50	61.6%	90-110	0.0%	110-180	0.0%
0-80	99.6%	40-70	41.6%	90-120	0.0%	0-180	100.0%

<b>CONTRACTOR:</b>	
<b>PROJECT:</b>	<b>DATE:</b>
<b>PREPARED BY:</b>	<b>MODEL#:</b> TLFLR3455KXN7-UN4

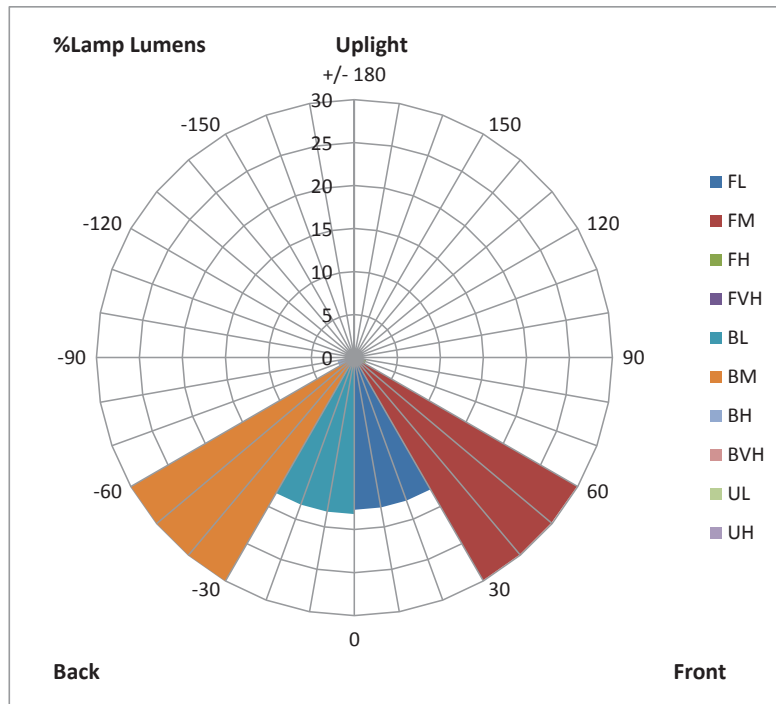
## PERFORMANCE SPECIFICATIONS

**Initial Lumen Output:** 40674.70 lm  
**Efficacy:** 121.0 lm/W  
**MBCP:** 17919 cd  
**NEMA Type:** 7H X 7V

**Beam Angle (50%):** 113.1H X 111.5V  
**Field Angle (10%):** 149.0H X 149.6V  
**BUG Rating:** B5-U0-G2  
**Environmental Rating:** IP65

**Certification Standards:** cULus, RoHS, DLC  
**Anti-Corrosion Warranty:** 10 Years  
**Limited Product Warranty:** 10 Years

**FIG. 3 - LCS Graph**



## LED SPECIFICATIONS

**LED Chip:** CITIZEN® CLU038-1208C4  
**LED Type:** COB

**CRI:** 75.0  
**R9:** -23.37

**Colour Temperature:** 5020K  
**Chromaticity:** x= 0.3456; y=0.3627  
**Duv:** 0.00529

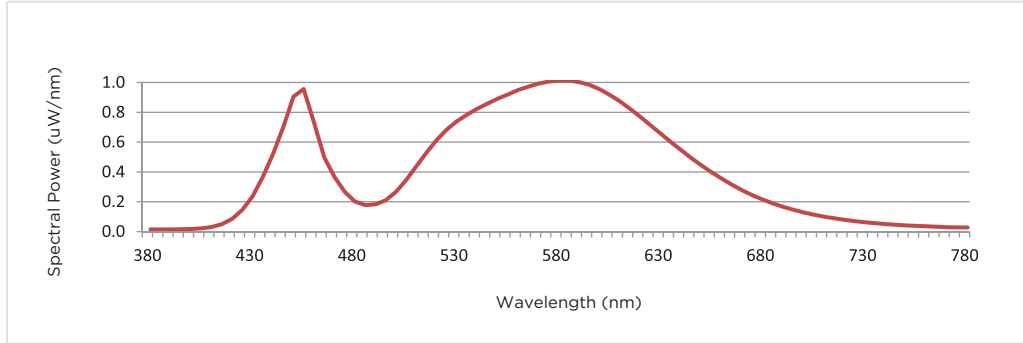
**FIG. 4 - Colour Rendering Indices**

R1	68.61	R6	69.33	R11	63.54
R2	79.15	R7	82.71	R12	39.05
R3	86.68	R8	53.03	R13	70.44
R4	69.88	R9	-28.14	R14	92.02
R5	67.22	R10	49.40	--	--

<b>CONTRACTOR:</b>	
<b>PROJECT:</b>	<b>DATE:</b>
<b>PREPARED BY:</b>	<b>MODEL#:</b> TLFLR3455KXN7-UN4

## PERFORMANCE SPECIFICATIONS

**FIG. 5 - Spectral Power Distribution**



## ELECTRICAL SPECIFICATIONS

**Voltage:** 347-480VAC  
**Frequency:** 60 Hz  
**Fixture Draw:** 335.70W

**Current Draw:** 0.967A  
**Power Factor:** 1

**THD (%):** 5%  
**Driver:** Meanwell

## PHYSICAL SPECIFICATIONS

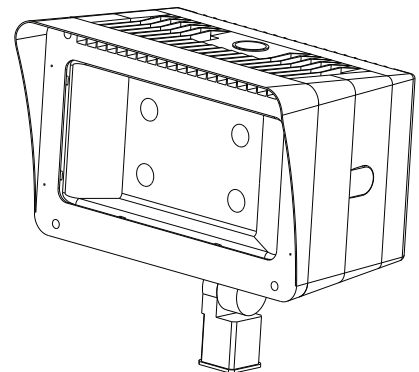
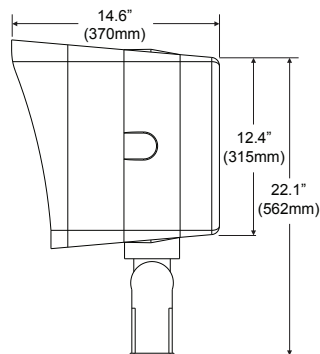
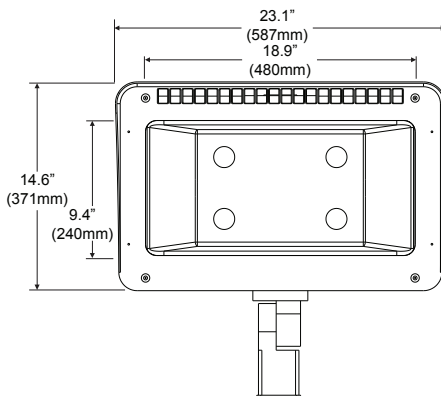
**Colour(s):** Architectural Bronze  
**Finished Type:** Textured Powder Coat over Chromate Conversion Coat  
**Wiring:** 6' 18/3 SJTW Cord Whip

**Mounting:** Slip Fitter Mount/Yoke Mount/  
**Housing Material:** Die-Cast Aluminum  
**Lens Material:** Tempered Borosilicate Glass

**Lens Type:** Clear  
**Reflector Material:** Specular Aluminum

## LINE DRAWING

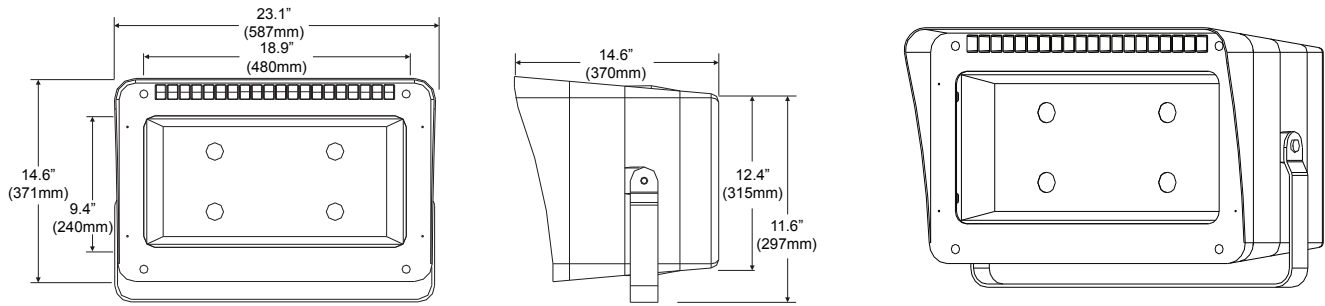
**Slip Fitter Option**



<b>CONTRACTOR:</b>	
<b>PROJECT:</b>	<b>DATE:</b>
<b>PREPARED BY:</b>	<b>MODEL#:</b> TLFLR3455KXN7-UN4

## LINE DRAWING

### Yoke Option



## ORDERING INFORMATION

**Part Number:** TLFLR3455KXN7-UN4

**Box Length:** 610mm - 24"

**Box Width:** 419mm - 16.50"

**Box Height:** 397mm - 15.62"

**Optional Extras:** TLFLR345-VS (Visor), TLFLR345-WG (Wire Guard)