

CONTRACTOR:	
PROJECT:	DATE:
PREPARED BY:	MODEL#: TLFLR3455KxN7-UNV-XX

SERIES SPECIFICATIONS



To supply and install TamLite TLFLR series of LED fixtures as specified. The luminaire shall operate at 120VAC to 277VAC, and use a CITIZEN® approved driver. The housing shall be constructed of powder-coated aluminum with a heat and impact resistant tempered glass lens. A durable formed gasket shall be provided between the enclosure and the lens. The reflector shall be made of highly specular material and contoured to maximize light output efficiency. All parts shall be corrosion resistant. LEDs shall be as specified, CITIZEN® CLU046-1818 LED Chips. The LEDs shall be supplied with the luminaire. The fixture shall be c-UL-us listed and DLC Qualified.



PERFORMANCE SPECIFICATIONS

FIG. 1 - Luminance Distribution Chart

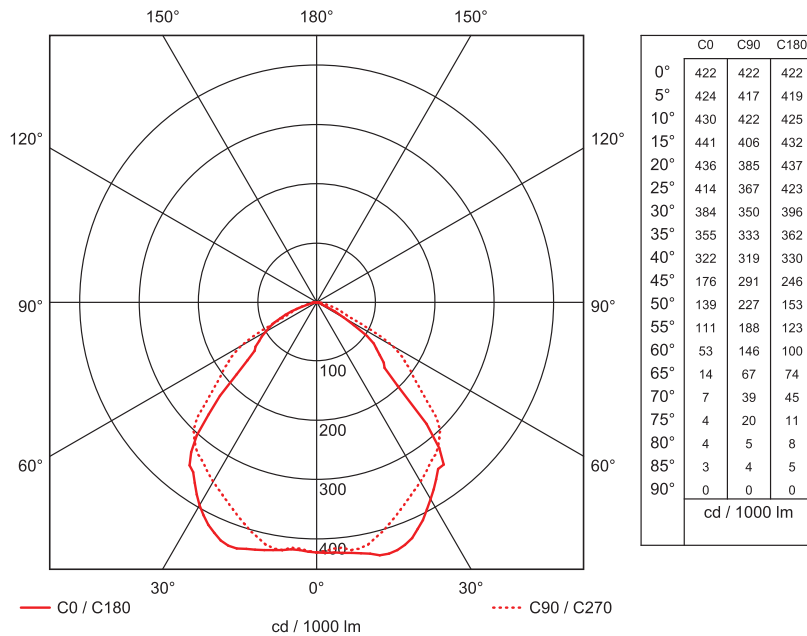


FIG. 2 - Zonal Lumen Summary

ZONE	PERCENTAGE	ZONE	PERCENTAGE	ZONE	PERCENTAGE	ZONE	PERCENTAGE
0-20	16.0%	0-90	100.0%	60-80	7.9%	90-130	0.0%
0-30	34.3%	10-90	96.0%	70-80	1.5%	90-150	0.0%
0-40	56.5%	20-40	40.6%	80-90	0.4%	90-180	0.0%
0-60	91.8%	20-50	61.6%	90-110	0.0%	110-180	0.0%
0-80	99.6%	40-70	41.6%	90-120	0.0%	0-180	100.0%

CONTRACTOR:	
PROJECT:	DATE:
PREPARED BY:	MODEL#: TLFLR3455KxN7-UNV-XX

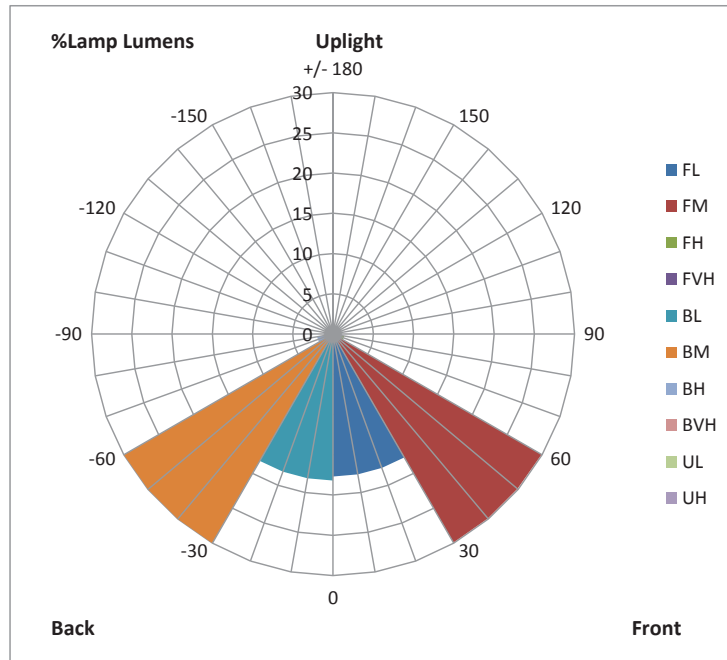
PERFORMANCE SPECIFICATIONS

Initial Lumen Output: 40674.70 lm
Efficacy: 121.0 lm/W
MBCP: 17919 cd
NEMA Type: 7H X 7V

Beam Angle (50%): 113.1H X 111.5V
Field Angle (10%): 149.0H X 149.6V
BUG Rating: B5-U0-G2
Environmental Rating: IP65

Certification Standards: cULus, RoHS, DLC
Anti-Corrosion Warranty: 5 Years
Limited Product Warranty: 5 Years

FIG. 3 - LCS Graph



TLFLR3455KxYY-UNV		
	Lumens	%Luminaire
FL - Front-Low (0-30)	6996.9	17.2
FM - Front-Medium (30-60)	11377.3	28.0
FH - Front-High (60-80)	1163.1	2.9
FVH - Front-Very High (80-90)	59.7	0.1
BL - Back-Low (0-30)	6974.7	17.1
BM - Back-Medium (30-60)	11984.3	29.5
BH - Back-High (60-80)	2030.2	5.0
BVH - Back-Very High (80-90)	88.5	0.2
UL - Uplight-Low (90-100)	0.0	0.0
UH - Uplight-High (100-180)	0.0	0.0
TOTAL	40674.7	100

LED SPECIFICATIONS

LED Chip: CITIZEN® CLU046-1818
LED Type: COB
Duv: 0.00529

CRI: 74.70
R9: -23.37
Average Life: L70(17k)>102,000hrs

Colour Temperature: 5020K
Chromaticity: x= 0.3456; y=0.3627

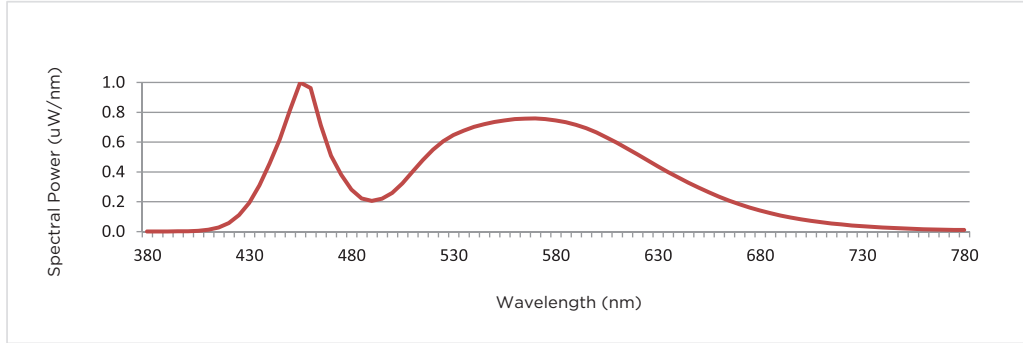
FIG. 4 - Colour Rendering Indices

R1	71.24	R8	57.39
R2	81.64	R9	-23.37
R3	87.54	R10	54.28
R4	71.88	R11	66.41
R5	70.73	R12	45.64
R6	73.05	R13	73.64
R7	84.12	R14	92.62

CONTRACTOR:	
PROJECT:	DATE:
PREPARED BY:	MODEL#: TLFLR3455KxN7-UNV-XX

PERFORMANCE SPECIFICATIONS

FIG. 5 - Spectral Power Distribution



ELECTRICAL SPECIFICATIONS

Voltage: 120-277VAC
Frequency: 60 Hz
Fixture Draw: 335.70W

Current Draw: 2.81A
Power Factor: 1

THD (%): 5%
Driver: Meanwell

PHYSICAL SPECIFICATIONS

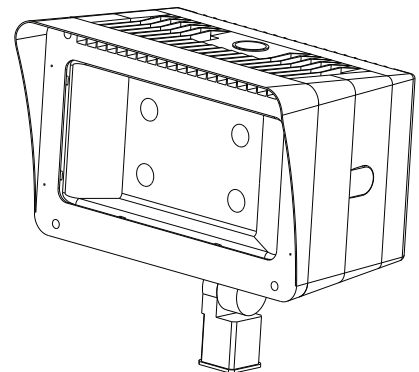
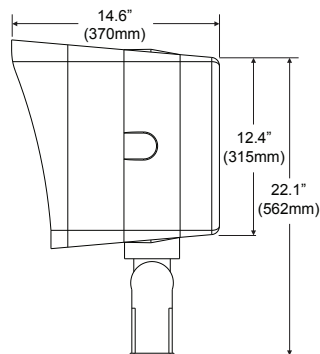
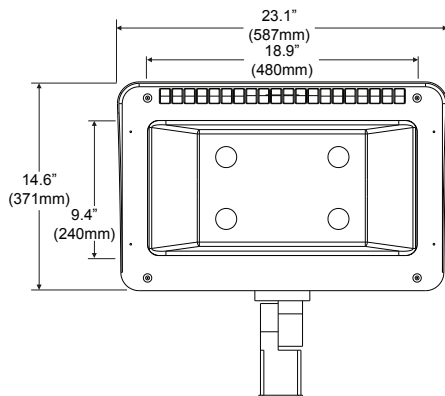
Colour(s): Architectural Bronze
Finished Type: Textured Powder Coat over Chromate Conversion Coat
Wiring: 6' 18/3 SJTW Cord Whip

Mounting: Slip Fitter Mount/Yoke Mount/Trunnion Mount
Housing Material: Die-Cast Aluminum
Lens Material: Tempered Borosilicate Glass

Lens Type: Clear
Reflector Material: Specular Aluminum

LINE DRAWING

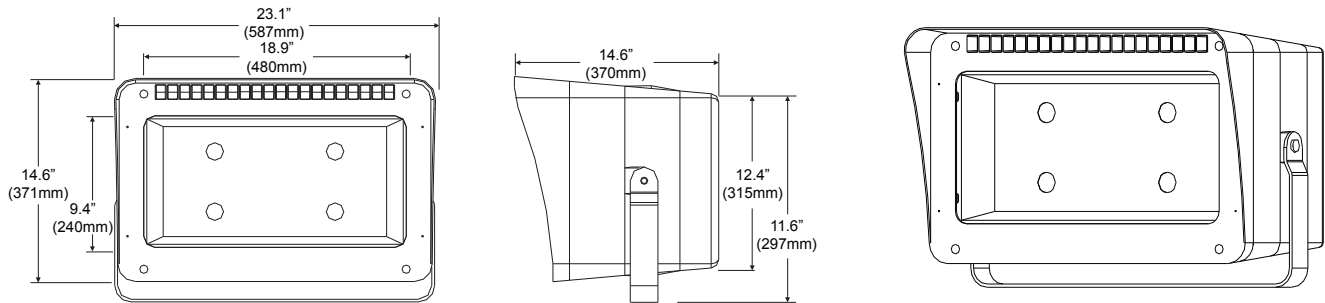
Slip Fitter Option



CONTRACTOR:	
PROJECT:	DATE:
PREPARED BY:	MODEL#: TLFLR3455KxN7-UNV-XX

LINE DRAWING

Yoke Option



ORDERING INFORMATION

Part Number: TLFLR3455KxN7-UNV-XX

Box Length: 610mm - 24"

Box Width: 419mm - 16.50"

Box Height: 397mm - 15.62"

Optional Extras: TLFLR345-VS (Visor), TLFLR345-WG (Wire Guard)