

CONTRACTOR:	
PROJECT:	DATE:
PREPARED BY:	MODEL#: TLHBLD2305K-UN4

SERIES SPECIFICATIONS



To supply and install TamLite's TLHBLD Series of LED Highbays Luminaire as specified. The Luminaire shall operate at 347VAC to 480VAC. The housing shall be constructed of aluminum with a prismatic Lens. LEDs shall be as specified NICHIA® LED chips. The luminaire shall be c-ETL-us listed.



PERFORMANCE SPECIFICATIONS

FIG. 1 - Luminance Distribution Chart

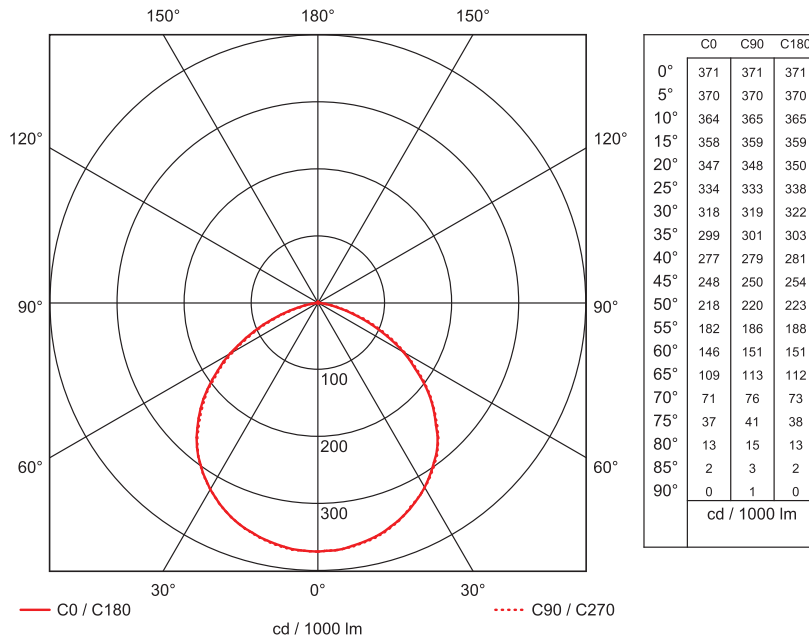


FIG. 2 - Zonal Lumen Summary

ZONE	LUMENS	%LAMP
0-30	8817.51	29.49%
0-40	14477.58	48.42%
0-60	25352.21	84.79%
0-90	29900	100%
40-90	15422.42	51.58%
60-90	4547.79	15.21%
90-180	0	0.00%
0-180	29900	100.00%

Initial Lumen Output: 29900 Im
Efficacy: 130.0 lm/W
Environmental Rating: IP65

UL Classification: Wet Location Listed
Min. Operating Temperature: -40°C to 40°C
Certification Standards: c-ETL-us

Limited Product Warranty: 5 Years
Spacing Criteria: 1.3 (C0/180),
 1.32 (C90/270)

CONTRACTOR:	
PROJECT:	DATE:
PREPARED BY:	MODEL#: TLHBLED2305K-UN4

LED SPECIFICATIONS

LED: NICHIA®
LED Type: Array
CRI: 70.0

Colour Temperature: 5000K
Average Life: L70 (6K) = 60,000 hrs

Chromaticity: x= 0.4345; y= 0.4007
Dimming: 1-10V
DUV: 0.0011

ELECTRICAL SPECIFICATIONS

Operating Voltage: 347-480 VAC
Frequency: 60Hz

Fixture Draw: 230.0W
Current Draw: 0.6628A @ 347VAC
Power Factor: 0.95

I-THD (%): 16.0%

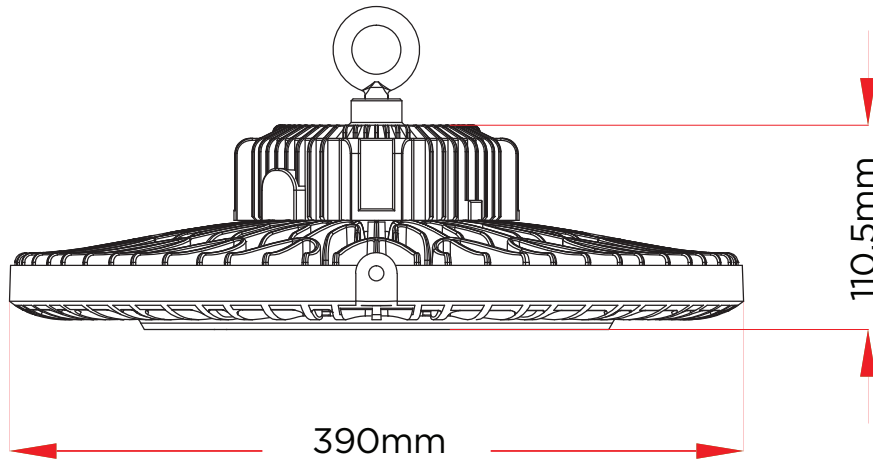
PHYSICAL SPECIFICATIONS

Colour(s): Black

Mounting: Suspension Chain,
 Pendant or Wall Mount
Housing Material: Aluminum

Lens Type: Prismatic Lens

LINE DRAWING



ORDERING INFORMATION

Part Number: TLHBLED2305K-UN4

Box Quantity: 1

Box Length: 15.94" - 405mm
Box Width: 15.94" - 405mm

Box Height: 6.50" - 165mm
Box Weight: 18.18lbs - 8.25kg

Carton Quantity: 2

Carton Length: 16.73" - 425mm
Carton Width: 16.73" - 425mm

Carton Height: 14.76" - 375mm
Carton Weight: 36.37lbs - 16.5kg

Optional Extras: TLHBLED-ACR (Acrylic Refractor), TLHBLED-DALI (Dali Converter), TLHBLED-RF60D (60D Reflector), TLHBLED-WM (Wall Mount Bracket), TLHBLED-PM (Pendant Mount Adapter)