

CONTRACTOR:	
PROJECT:	DATE:
PREPARED BY:	MODEL#: TLHBLLED805K

SERIES SPECIFICATIONS



To supply and install Tamlite's TLHBLLED Series of LED Highbays Luminaire as specified. The Luminaire shall operate at 120VAC to 277VAC. The housing shall be constructed of aluminum with a prismatic Lens. LEDs shall be as specified Nichia® LED chips. The luminaire shall be c-ETL-us listed & DLC Qualified.



PERFORMANCE SPECIFICATIONS

FIG. 1 - Luminance Distribution Chart

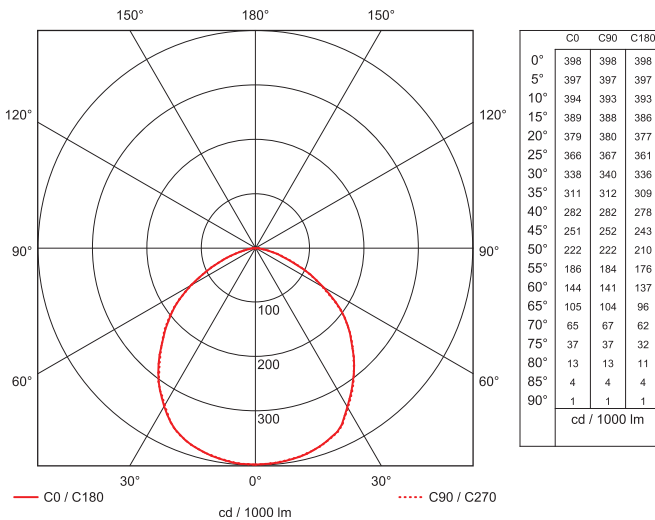


FIG. 2 - Zonal Lumen Summary

ZONE	%	ZONE	%	ZONE	%	ZONE	%	ZONE	%	ZONE	%
0-5	0.95	30-35	9.60	60-65	5.73	90-95	0.01	120-125	0.00	150-155	0.00
5-10	2.83	35-40	9.87	65-70	4.05	95-100	0.00	125-130	0.00	155-160	0.00
10-15	4.64	40-45	9.77	70-75	2.52	100-105	0.00	130-135	0.00	160-165	0.00
15-20	6.31	45-50	9.34	75-80	1.19	105-110	0.00	135-140	0.00	165-170	0.00
20-25	7.79	50-55	8.60	80-85	0.38	110-115	0.00	140-145	0.00	170-175	0.00
25-30	8.93	55-60	7.39	85-90	0.08	115-120	0.00	145-150	0.00	175-180	0.00

CONTRACTOR:		DATE:
PROJECT:		MODEL#: TLHBLEDB805K
PREPARED BY:		

PERFORMANCE SPECIFICATIONS

FIG. 3 - Co-efficient of Utilization

Effective Floor Cavity Reflectance - 0.20

ρCC	80			70			50			30			10			0
	ρWALL	50	30	10	50	30	10	50	30	10	50	30	10	50	30	10
RCR																
0	1.19	1.19	1.19	1.16	1.16	1.16	1.11	1.11	1.11	1.06	1.06	1.06	1.02	1.02	1.02	1.00
1	1.06	1.02	.99	1.04	1.00	.97	.99	.97	.94	.96	.93	.91	.92	.90	.88	.86
2	.93	.87	.82	.91	.86	.81	.88	.83	.79	.85	.81	.77	.82	.79	.76	.74
3	.83	.75	.69	.81	.74	.68	.78	.72	.67	.75	.70	.66	.73	.69	.65	.63
4	.74	.65	.59	.72	.65	.59	.70	.63	.58	.68	.62	.57	.65	.60	.56	.54
5	.66	.58	.51	.65	.57	.51	.63	.56	.50	.61	.55	.50	.59	.54	.49	.47
6	.60	.51	.45	.59	.51	.45	.57	.50	.44	.55	.49	.44	.54	.48	.44	.42
7	.54	.46	.40	.53	.45	.40	.52	.45	.39	.51	.44	.39	.49	.43	.39	.37
8	.50	.41	.36	.49	.41	.36	.48	.40	.35	.46	.40	.35	.45	.39	.35	.33
9	.46	.38	.32	.45	.37	.32	.44	.37	.32	.43	.36	.32	.42	.36	.32	.30
10	.42	.34	.29	.42	.34	.29	.41	.34	.29	.40	.33	.39	.39	.33	.29	.27

Initial Lumen Output: 8062.5 lm
Efficacy: 102.03 lm/W
Environmental Rating: IP65

UL Classification: Wet Location Listed
Operating Temp: -40°C to +60°C
Certification Standards: c-ETL-us, DLC

Limited Product Warranty: 5 Years
Spacing Criteria: 1.26 (C0/180), 1.26 (C90/270)

LED SPECIFICATIONS

LED Chip: NICHIA®
LED Type: Array
CRI: 82.3

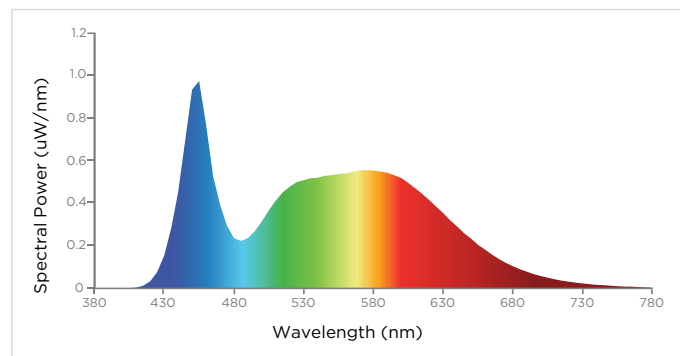
R9: 5
Average Life: L₇₀(6K) = 50,000 hrs
Colour Temperature: 5000K (Nominal)

Chromaticity: x= 0.3292; y= 0.3414
Dimming: 1-10V
Duv: 0.00164

FIG. 4 - Colour Rendering Indices

R1	81	R9	5
R2	87	R10	68
R3	90	R11	81
R4	82	R12	57
R5	81	R13	83
R6	82	R14	95
R7	87	R15	76
R8	68	--	--

FIG. 5 - Spectral Power Distribution



ELECTRICAL SPECIFICATIONS

Operating Voltage: 120-277 VAC
Frequency: 50/60 Hz

Fixture Draw: 79.02W
Current Draw: 0.6610A @ 120VAC

Power Factor: 0.996 @ 120VAC

CONTRACTOR:	
PROJECT:	DATE:
PREPARED BY:	MODEL#: TLHBLED805K

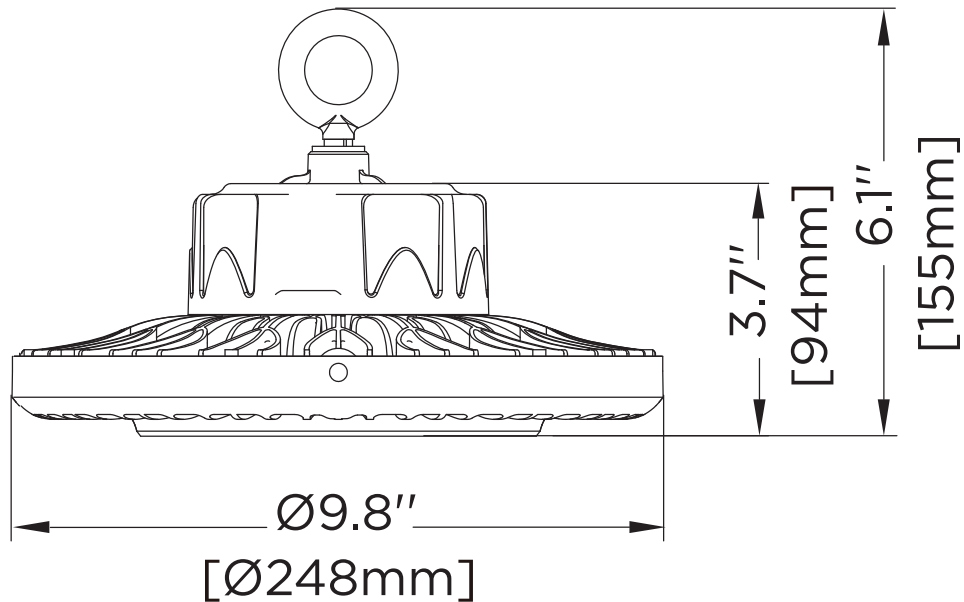
PHYSICAL SPECIFICATIONS

Colour(s): Black
Mounting: Suspension Chain

Housing Material: Aluminium
Lens Type: Prismatic Lens

EPA: 1.39 sqft
Entries: Gasketed Wire Entry

LINE DRAWING



ORDERING INFORMATION

Part Number: TLHBLED805K

Box Quantity: 1

Box Length: 260mm - 10.24"

Box Width: 125mm - 4.92"

Box Height: 290mm - 11.42"

Carton Quantity: 2

Carton Length: 535mm - 21.06"

Carton Width: 280mm - 11.02"

Carton Height: 315mm - 12.40"