

CONTRACTOR:		DATE:
PROJECT:		MODEL#: WL2454DPS
PREPARED BY:		

SERIES SPECIFICATIONS

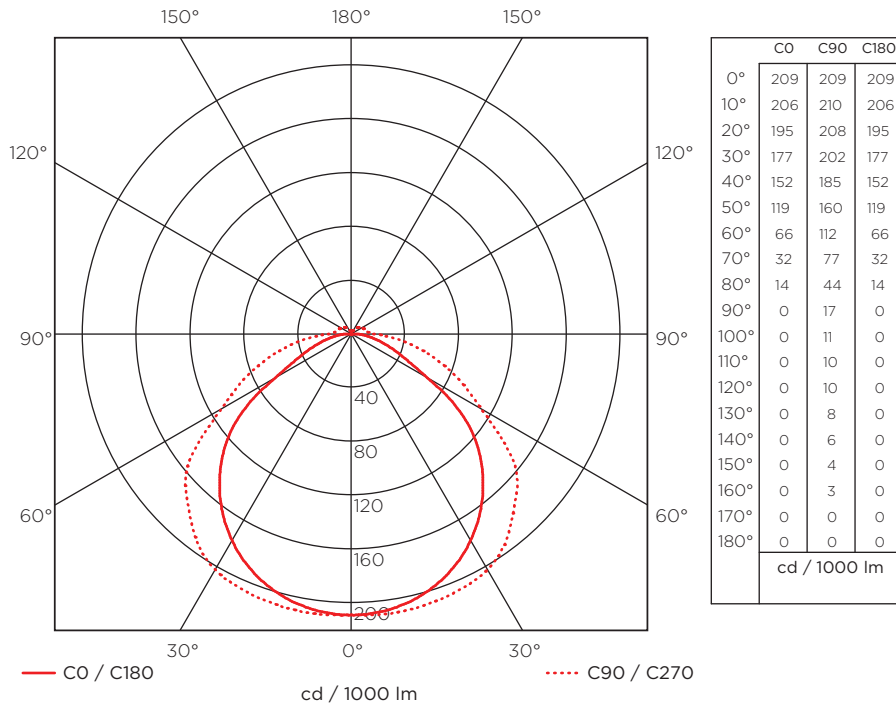


To supply and install TamLite WL series of Wrap fixtures as specified. The luminaire shall operate at 120 - 277VAC and use high efficiency American® electronic ballasts. The housing shall be constructed of powder-coated steel and lens shall be constructed of Extruded low brightness prismatic acrylic lens. Lamps shall be as specified, linear fluorescent lamps up to a maximum of the rated lamp wattage on the fixture nameplate. The lamps shall not be supplied with the fixture. The fixture shall be c-UL-us approved.



PERFORMANCE SPECIFICATIONS

FIG. 1 - Luminance Distribution Chart



Certification Standards: cULus
Limited Product Warranty: 1 Year
Operating Temp: 0°F / -18°C
Spacing Criteria: 1.26 (C0/180);
 1.26 (C90/270)
Environmental Rating: IP44
UL Classification: Damp Location Listed

CONTRACTOR:		DATE:
PROJECT:		MODEL#: WL2454DPS
PREPARED BY:		

PERFORMANCE SPECIFICATIONS

FIG.2 - Zonal Lumen Summary

ZONE	LUMENS	% OF LUMINAIRE	ZONE	LUMENS	% OF LUMINAIRE	ZONE	LUMENS	% OF LUMINAIRE
0-5	43.9	0.7%	60-65	372.1	6.1%	120-125	24.9	0.4%
5-10	131.1	2.2%	65-70	301.4	5.0%	125-130	21.5	0.4%
10-15	215.5	3.5%	70-75	232.3	3.8%	130-135	17.3	0.3%
15-20	295.0	4.9%	75-80	165.6	2.7%	135-140	13.4	0.2%
20-25	367.6	6.1%	80-85	109.6	1.8%	140-145	10.1	0.2%
25-30	431.3	7.1%	85-90	65.1	1.1%	145-150	7.4	0.1%
30-35	483.7	8.0%	90-95	43.7	0.7%	150-155	5.2	0.1%
35-40	520.0	8.6%	95-100	37.9	0.6%	155-160	3.4	0.1%
40-45	537.2	8.8%	100-105	34.3	0.6%	160-165	2.1	0.0%
45-50	536.2	8.8%	105-110	31.6	0.5%	165-170	1.1	0.0%
50-55	509.2	8.4%	110-115	29.0	0.5%	170-175	0	0.0%
55-60	447.3	7.4%	115-120	26.9	0.4%	175-180	0	0.0%

FIG.3 - Coefficients of Utilization

Effective Floor Cavity Reflectance - .20

ρCC	80				70				50			30			10			0
	70	50	30	10	70	50	30	10	50	30	10	50	30	10	50	30	10	0
RCR	** Values are expressed as Lumens delivered to the task surface **																	
0	7157	7157	7157	7157	6955	6955	6955	6955	6577	6577	6577	6231	6231	6231	5913	5913	5913	5764
1	6509	6209	5940	5697	6310	6040	5796	5575	5724	5525	5342	5434	5273	5124	5166	5038	4918	4769
2	5910	5400	4977	4622	5720	5258	4871	4543	4991	4669	4390	4746	4479	4244	4518	4300	4105	3955
3	5381	4732	4230	3830	5202	4612	4149	3775	4386	3992	4390	4177	3845	3566	3983	3705	3466	3319
4	4919	4183	3644	3233	4754	4081	3580	3193	3889	3457	3115	3710	3340	3040	3544	3228	2966	2823
5	4517	3729	3178	2772	4366	3642	3127	2742	3478	3028	2683	3325	2933	2626	3182	2842	2570	2431
6	4165	3349	2802	2409	4028	3275	2760	2386	3133	2679	2340	3001	2601	2295	2878	2526	2251	2118
7	3856	3029	2493	2118	3731	2965	2459	2099	2843	2391	2062	2728	2326	2026	2621	2263	1991	1864
8	3584	2758	2238	1881	3471	2702	2209	1865	2596	2152	1835	2496	2097	1806	2402	2044	1776	1656
9	3344	2525	2024	1685	3241	2476	1999	1672	2384	1951	1647	2296	1904	1622	2213	1858	1598	1483
10	3131	2325	1842	1521	3038	2282	1821	1510	2200	1780	1489	2123	1739	1468	2050	1700	1447	1338

RECOMMENDED LAMP SPECIFICATIONS (NOT INCLUDED)

Lamp: Fusion FF54HO/T5

Lamp Type: T5 Linear Fluorescent

Quantity: 2

Wattage: 54W

CRI: 85+

Delivered Lumens: 4,950 lumens

CCT: 3000K, 3500K, 4100K, 5000K & 6500K

Average Life: 24,000 hrs

CONTRACTOR:	
PROJECT:	DATE:
PREPARED BY:	MODEL#: WL2454DPS

ELECTRICAL SPECIFICATIONS

Input Voltage: 120-277VAC
Fixture Draw: 116W
Max Lamp Wattage: 54W

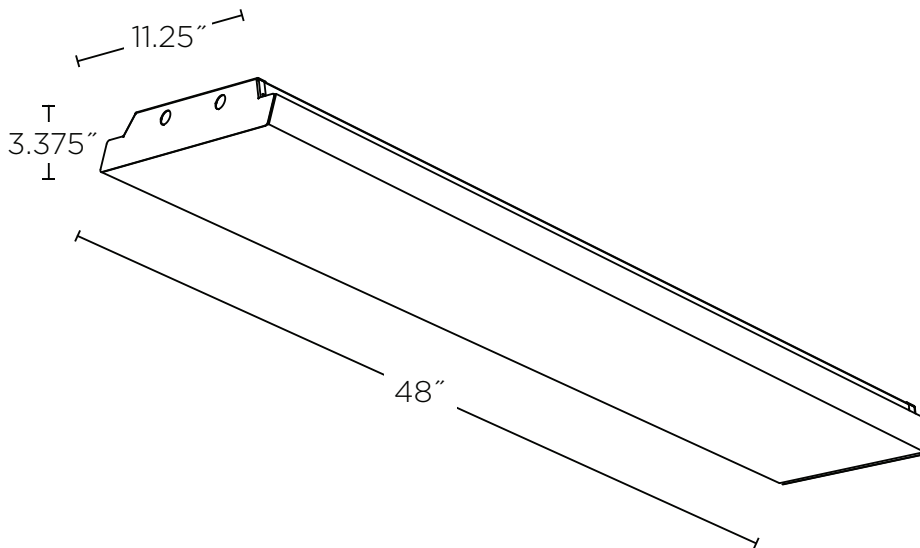
Lamp Type: Linear Fluorescent
Lamp Style: T5
Lamp Base: G5

Ballast: Universal B254PUNV-D
Ballast Type: Electronic Ballast
Warranty: 5 Years

Ballast Information

Lamp Type	Rated Lamp Watts	Min. Start Temp. (°F / °C)	Input Current (Amps) @120/277V	Input Power (Watts)	Ballast Factor	Max THD%	Power Factor	Ballast Efficacy Factor
F54T5HO	54W	0°F / -18°C	0.96/0.41	116	1	<10	>0.98	1.59

LINE DRAWING



PHYSICAL SPECIFICATIONS

Colour: White

Housing Material: Hot-dipped Powder Coated Galvanized Steel

Lens: Prismatic Acrylic Lens

ORDERING INFORMATION

Part Number: WL2454DPS
Shipping Length: 1219.2mm / 48"

Shipping Height: 85.725mm / 3.375"

Shipping Width: 285.75mm / 11.25"