

CONTRACTOR:	
PROJECT:	DATE:
PREPARED BY:	MODEL#: DL6MED/IC

## SERIES SPECIFICATIONS



To supply and install TamLite DL6MED Series of line voltage recessed fixtures as specified. The fixture shall operate at 120VAC. Lamps shall be as specified, medium base lamps up to a maximum of the rated lamp wattage on the fixture nameplate. The lamps shall not be supplied with the fixture. The fixture shall be c-UL-us approved.



## PERFORMANCE SPECIFICATIONS

<b>Certification Standards:</b> cULus	<b>Limited Product Warranty:</b> 1 year	<b>Trim Series:</b> DL6T Series
<b>Max Operating Temp:</b> 90°C / 194°F	<b>Environmental Rating:</b> Damp Location Listed	<b>IC Rating:</b> IC Rated*
<b>Air Tight Rating:</b> ASTM E283 Compliant		

## ELECTRICAL SPECIFICATIONS

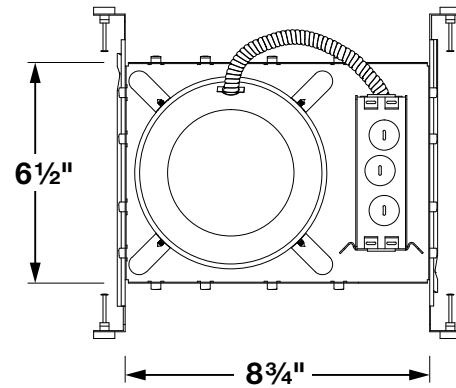
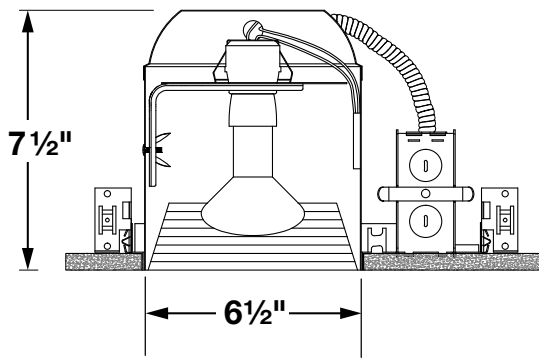
<b>Input Voltage:</b> 120VAC	<b>Lamp Base:</b> E26 (Medium)	<b>Max Lamp Wattage:</b> **
------------------------------	--------------------------------	-----------------------------

## PHYSICAL SPECIFICATIONS

<b>Knockouts:</b> 7x 7/8" Knockouts	<b>Quick Connects:</b> Fitted as standard	<b>Socket Material:</b> Ceramic
<b>Mounting:</b> Nail-In	<b>Housing Material:</b> Galvanized Steel Construction	

CONTRACTOR:		DATE:
PROJECT:		
PREPARED BY:	MODEL#: DL6MED/IC	

LINE DRAWING



ORDERING INFORMATION

**Part Number:** DL6MED/IC  
**Outer Carton Quantity:** 6

**Outer Carton Length:** 552mm - 21.75"  
**Outer Carton Width:** 470mm - 18.5"

**Outer Carton Height:** 210mm - 8.25"  
**Outer Carton Weight:** 15.75lbs - 7.18kg

**Optional Extras:** DLGU10LH (GU10 Whip Adapter), DLVBL (Large Vapour Barrier), DLVBS (Small Vapour Barrier)

\*For installation in ceilings with insulation levels greater than R40, ensure adequate free air space around fixture. See installation instructions for details.  
 \*\*Please see desired trim for accepted lamp styles and types.