

CONTRACTOR:	
PROJECT:	DATE:
PREPARED BY:	MODEL#: DLCVP100W

SERIES SPECIFICATIONS

To supply and install TamLite DLVP Series of incandescent vapour proof fixtures as specified. The luminaire shall operate at 120VAC. The housing shall be constructed of die-cast aluminum with a tempered glass globe, and die-cast protective cage. The fixture shall be Wet Location listed. A durable formed gasket shall be provided between the enclosure and the globe. All parts shall be corrosion resistant. Lamps shall be as specified, incandescent, spiral-type compact fluorescent, or LED lamps up to a maximum of the rated lamp wattage on the fixture nameplate. The lamps shall not be supplied with the luminaire. The fixture shall be c-UL-us approved.



PERFORMANCE SPECIFICATIONS

Limited Product Warranty: 5 Years
UL Classification: Wet Location Listed

Anti-Corrosion Warranty: 1 Year
Environmental Rating: IP65

Certification Standards: cULus

ELECTRICAL SPECIFICATIONS

Input Voltage: 120VAC
Lamp Type: Incandescent,
Compact Fluorescent

Lamp Style: A19 or Spiral
Max Lamp Wattage: 100W

Lamp Base: E26 (Medium)

PHYSICAL SPECIFICATIONS

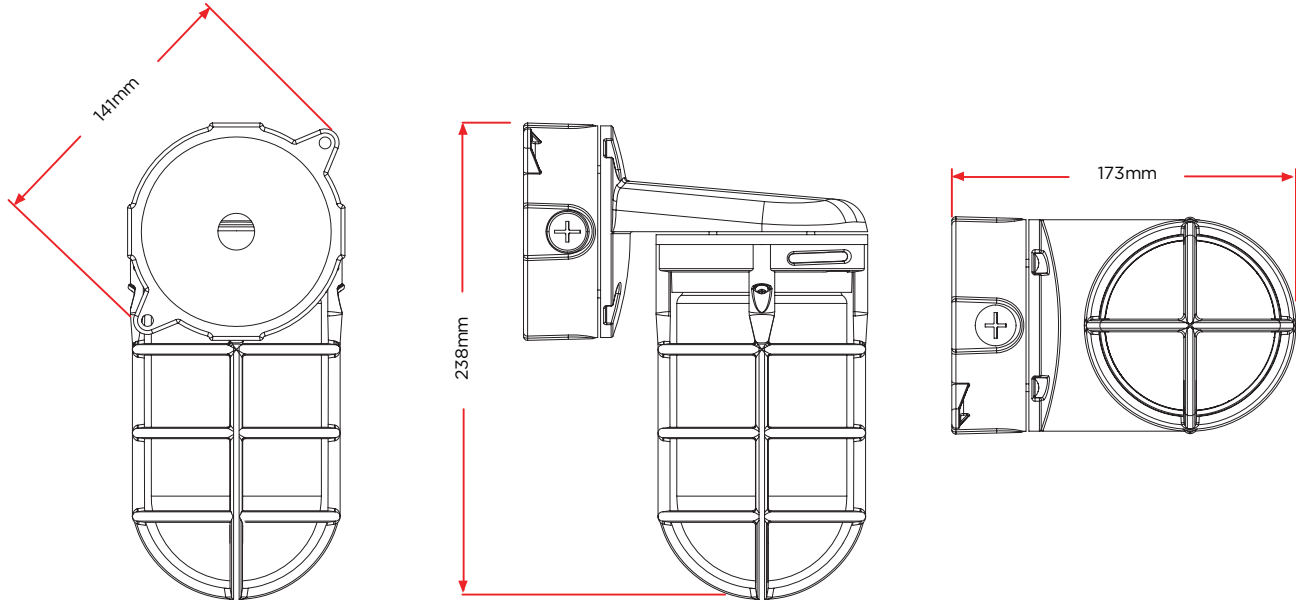
Colour(s): Grey
Knockouts: 1/2" NPT Coin Plugs
Mounting: Mounting Tabs on 4" Box

Housing Material: Die Cast Aluminum
Socket Material: Ceramic
Lens Material: Tempered Glass

Lens Type: Clear

CONTRACTOR:	
PROJECT:	DATE:
PREPARED BY:	MODEL#: DLCVP100W

LINE DRAWING



ORDERING INFORMATION

Part Number: DLCVP100W
Carton Quantity: 1

Shipping Length: 9.625" - 245mm
Shipping Width: 2.5" - 64mm

Shipping Height: 2.5" - 64mm
Shipping Weight: 2.2 lbs - 1kg