

CONTRACTOR:	
PROJECT:	DATE:
PREPARED BY:	MODEL#: TLHBLLED405K

SERIES SPECIFICATIONS



To supply and install Tamlite's TLHBLLED Series of LED Highbays Luminaire as specified. The Luminaire shall operate at 120VAC to 277VAC. The housing shall be constructed of aluminum with a prismatic Lens. LEDs shall be as specified Nichia® LED chips. The luminaire shall be c-ETL-us listed & DLC Qualified.



PERFORMANCE SPECIFICATIONS

FIG. 1 - Luminance Distribution Chart

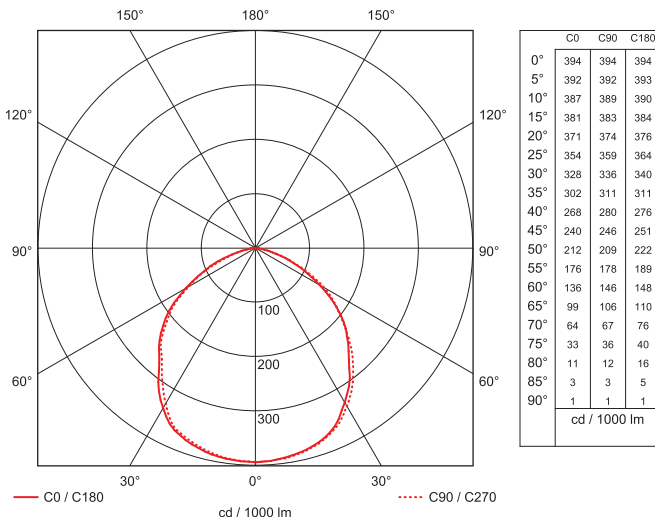


FIG. 2 - Zonal Lumen Summary

ZONE	%	ZONE	%	ZONE	%	ZONE	%	ZONE	%	ZONE	%
0-5	0.96	30-35	9.64	60-65	5.70	90-95	0.01	120-125	0.01	150-155	0.00
5-10	2.86	35-40	9.84	65-70	4.11	95-100	0.01	125-130	0.01	155-160	0.00
10-15	4.69	40-45	9.63	70-75	2.64	100-105	0.01	130-135	0.01	160-165	0.00
15-20	6.39	45-50	9.11	75-80	1.28	105-110	0.01	135-140	0.01	165-170	0.00
20-25	7.89	50-55	8.38	80-85	0.42	110-115	0.01	140-145	0.00	170-175	0.00
25-30	9.02	55-60	7.26	85-90	0.08	115-120	0.01	145-150	0.00	175-180	0.00

CONTRACTOR:			
PROJECT:		DATE:	
PREPARED BY:		MODEL#: TLHBLE405K	

PERFORMANCE SPECIFICATIONS

FIG. 3 - Co-efficient of Utilization

Effective Floor Cavity Reflectance - 0.20

ρCC	80			70			50			30			10			0
	ρWALL	50	30	10	50	30	10	50	30	10	50	30	10	50	30	10
RCR																
0	1.19	1.19	1.19	1.16	1.16	1.16	1.11	1.11	1.11	1.06	1.06	1.06	1.02	1.02	1.02	1.00
1	1.06	1.02	.99	1.04	1.00	.97	.99	.96	.94	.95	.93	.91	.92	.90	.88	.86
2	.93	.87	.82	.91	.86	.81	.88	.83	.79	.85	.81	.77	.82	.78	.75	.73
3	.82	.75	.69	.81	.74	.68	.78	.72	.67	.75	.70	.66	.73	.68	.65	.63
4	.73	.65	.59	.72	.64	.58	.70	.63	.58	.67	.62	.57	.65	.60	.56	.54
5	.66	.57	.51	.65	.57	.51	.63	.56	.50	.61	.54	.50	.59	.53	.49	.47
6	.59	.51	.45	.59	.50	.44	.57	.49	.44	.55	.49	.44	.54	.48	.43	.41
7	.54	.46	.40	.53	.45	.39	.52	.44	.39	.50	.44	.39	.49	.43	.39	.37
8	.49	.41	.35	.49	.41	.35	.47	.40	.35	.46	.40	.35	.45	.39	.35	.33
9	.45	.37	.32	.45	.37	.32	.44	.37	.32	.43	.36	.32	.42	.36	.31	.30
10	.42	.34	.29	.41	.34	.29	.40	.34	.29	.39	.33	.39	.39	.33	.29	.27

Initial Lumen Output: 4601.6 lm
Efficacy: 110.86 lm/W
Environmental Rating: IP65

UL Classification: Wet Location Listed
Operating Temp: -40°C to +60°C
Certification Standards: c-ETL-us, DLC

Limited Product Warranty: 5 Years
Spacing Criteria: 1.25 (C0/180), 1.25 (C90/270)

LED SPECIFICATIONS

LED Chip: NICHIA®
LED Type: Array
CRI: 85.4

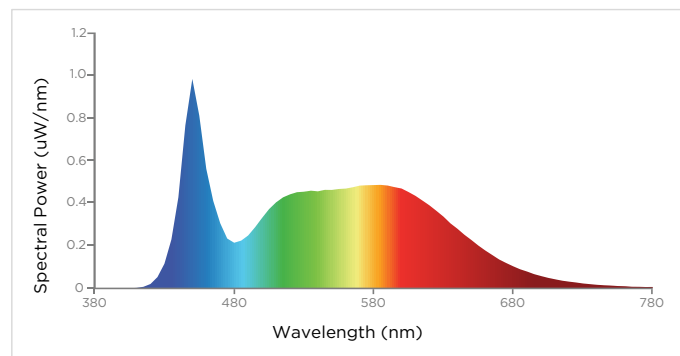
R9: 19
Average Life: L₇₀(6K) = 50,000 hrs
Colour Temperature: 5000K (Nominal)

Chromaticity: x= 0.3239; y= 0.3407
Dimming: 1-10V
Duv: 0.000944

FIG. 4 - Colour Rendering Indices

R1	85	R9	19
R2	89	R10	74
R3	92	R11	87
R4	87	R12	63
R5	85	R13	86
R6	85	R14	96
R7	89	R15	80
R8	72	--	--

FIG. 5 - Spectral Power Distribution



ELECTRICAL SPECIFICATIONS

Operating Voltage: 120-277 VAC
Frequency: 50/60 Hz

Fixture Draw: 41.98W
Current Draw: 0.3525A @ 120VAC

Power Factor: 0.992 @ 120VAC

CONTRACTOR:	
PROJECT:	DATE:
PREPARED BY:	MODEL#: TLHBLED405K

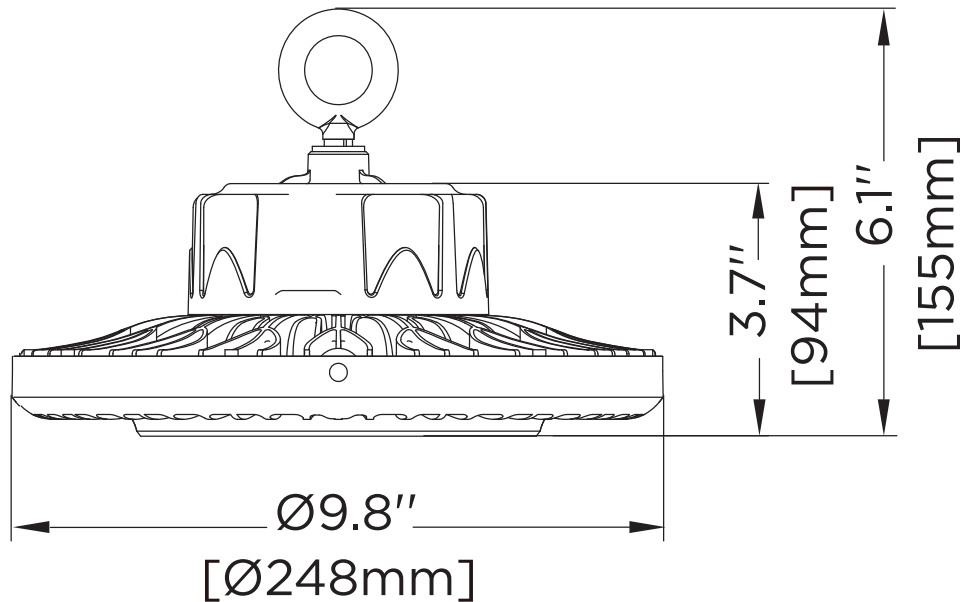
PHYSICAL SPECIFICATIONS

Colour(s): Black
Mounting: Suspension Chain

Housing Material: Aluminium
Lens Type: Prismatic Lens

EPA: 1.39 sqft
Entries: Gasketed Wire Entry

LINE DRAWING



ORDERING INFORMATION

Part Number: TLHBLED405K

Box Quantity: 1

Box Length: 260mm - 10.24"

Box Width: 125mm - 4.92"

Box Height: 290mm - 11.42"

Carton Quantity: 2

Carton Length: 535mm - 21.06"

Carton Width: 280mm - 11.02"

Carton Height: 315mm - 12.40"