

CONTRACTOR:	
PROJECT:	DATE:
PREPARED BY:	MODEL#: TLWP405K-UNV-XX

SERIES SPECIFICATIONS



To supply and install TamLite TLWP series of LED fixtures as specified. The luminaire shall operate at 120 to 277VAC, and use a CITIZEN® approved driver. The housing shall be constructed of powder-coated aluminum with a hinged bolt-on case for replacement access and a tempered glass lens. A durable formed gasket shall be provided between the enclosure and the lens. The reflector shall be made of highly specular material and contoured to maximize light output efficiency. All parts shall be corrosion resistant. LEDs shall be as specified, CITIZEN® CLU046-1818 LED Chips. The LEDs shall be supplied with the luminaire. The fixture shall be c-UL-us approved and DLC Qualified.



PERFORMANCE SPECIFICATIONS

FIG. 1 - Luminance Distribution Chart

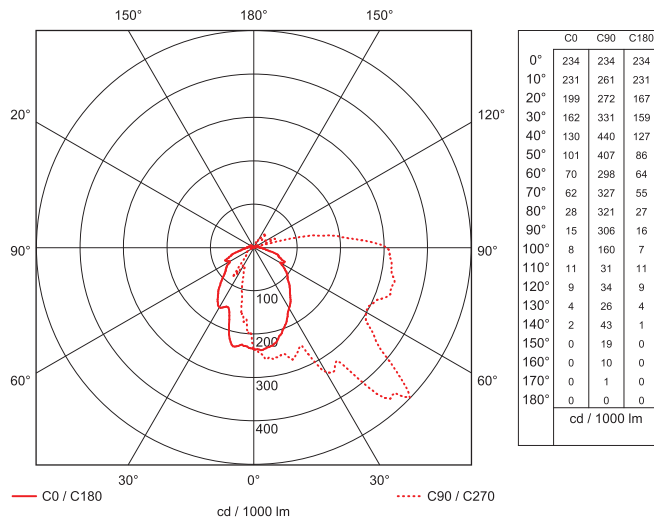


FIG. 2 - Zonal Lumen Summary

ZONE	%	ZONE	%	ZONE	%	ZONE	%	ZONE	%	ZONE	%
0-5	0.54%	30-35	4.75%	60-65	6.39%	90-95	3.92%	120-125	0.51%	150-155	0.14%
5-10	1.56%	35-40	5.48%	65-70	6.31%	95-100	2.72%	125-130	0.46%	155-160	0.06%
10-15	2.50%	40-45	6.48%	70-75	5.87%	100-105	1.38%	130-135	0.40%	160-165	0.02%
15-20	3.15%	45-50	7.16%	75-80	5.60%	105-110	0.65%	135-140	0.41%	165-170	0.01%
20-25	3.58%	50-55	7.27%	80-85	5.38%	110-115	0.78%	140-145	0.27%	170-175	0.00%
25-30	4.03%	55-60	6.55%	85-90	4.87%	115-120	0.62%	145-150	0.18%	175-180	0.00%

CONTRACTOR:	
PROJECT:	DATE:
PREPARED BY:	MODEL#: TLWP405K-UNV-XX

PERFORMANCE SPECIFICATIONS

Initial Lumen Output - 4465.90 lm
Beam Angle - 106.30°
Anti-Corrosion Warranty - 5 Years
Limited Product Warranty - 5 Years

Efficacy - 116.14 lm/W
Field Angle - 189.70°
MBCP - 2228.0 cd
Environmental Rating(s) - IP65

Luminaire Type - Type IV Very Short
Certification Standards - cULus, RoHS, DLC
UL Classification - Wet location Listed

LED SPECIFICATIONS

LED Chip: CITIZEN® CLU046-1818
R9: -23.0
Duv: 0.00319

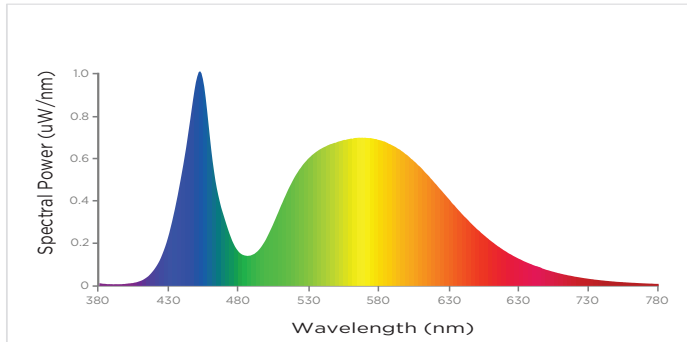
LED Type: COB
Colour Temperature: 4976K
Average Life: L₇₀(17k) > 102,000 hrs

CRI: Ra = 73.40
Chromaticity: x=0.3465; y=0.3591

FIG. 2 - Colour Rendering Indices

R1	70	R6	69	R11	68
R2	78	R7	84	R12	40
R3	83	R8	59	R13	72
R4	73	R9	-23	R14	90
R5	70	R10	47	R15	66

FIG. 3 - Spectral Distribution Diagram



ELECTRICAL SPECIFICATIONS

Voltage - 120-277VAC
Frequency - 60 Hz
Fixture Draw - 39.21W

Current Draw - 0.3293A
Power Factor - 0.9924

THD(%) - 8.42% @ 120VAC; 13.11% @ 277VAC
Driver - IPP

PHYSICAL SPECIFICATIONS

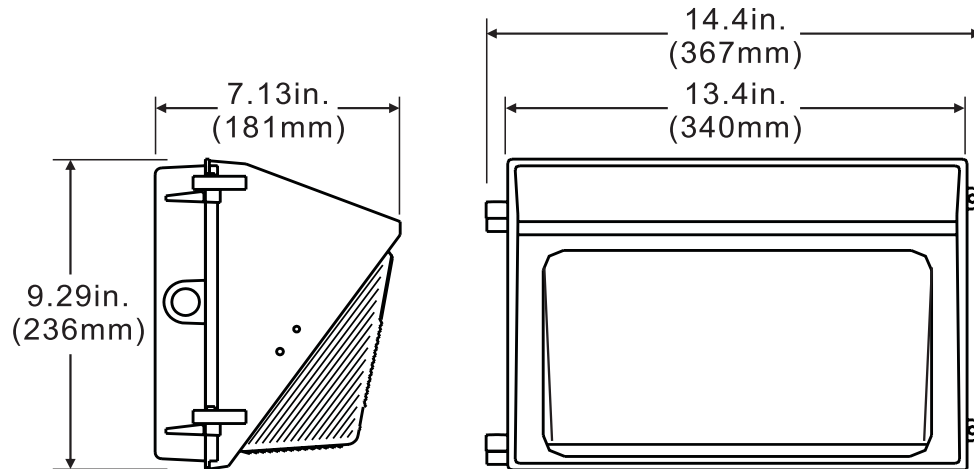
Colour(s): Architectural Bronze
Mounting: Wall Mount
Housing Material: Die-Cast Aluminum

Finish Type: Textured Powder Coat over Chromate Conversion Coat
Lens Type: Clear

Wiring: 3x 1/2" Coin Plugs
Lens Material: Tempered Glass
Reflector Material: Specular Aluminum

CONTRACTOR:	
PROJECT:	DATE:
PREPARED BY:	MODEL#: TLWP405K-UNV-XX

PHYSICAL SPECIFICATIONS



ORDERING INFORMATION

Part Number: TLWP405K-UNV-XX

Box Quantity: 1

Box Length: 39.05cm - 15.37"

Box Height: 24.13cm - 9.5"

Box Width: 30.48cm - 12"

Box Weight: 10.90 lbs

Optional Extras: TLWP-GSM (Medium Glare Shield), TLWP-WGM (Medium Wire Guard), WPFLED-PC (Photocell)